



# Kendeil™

## FILM CAPACITORS





# POWER FILM CAPACITORS ROADMAP

## DC-LINK

85°C

### K36

SCREW ALUMINIUM CAN  
85°C 100000h  
600V to 4000V  
24uF to 5600uF

### K37

SCREW PLASTIC CASE  
85°C 100000h  
500V to 1100V  
50uF to 280uF

105°C

### KE2

PIN PLASTIC CASE  
105°C 100000h  
500V to 1200V  
1uF to 220uF

### K1F

PIN PLASTIC CASE  
-55/105°C 100000h  
450V to 1200V  
1.0 uF to 200uF

### K3F

PIN PLASTIC CASE  
-55/105°C 100000h  
500V to 1200V  
1.0uF to 220uF

### K4F

PIN PLASTIC CASE  
-55/125°C 100000h  
450V to 1100V  
1.0 uF to 220uF

125°C

## SNUBBER

105°C

### K9E

AXIALS PINS  
105°C 100000h  
600V to 3000V  
0.01uF to 4.7uF

### KE4

PIN PLASTIC CASE  
105°C 100000h  
630V to 2000V  
0.01uF to 4.7uF

### KE5

LUG PLASTIC CASE  
105°C 100000h  
850V to 2000V  
0.1uF to 4.0uF

### KE6

PIN PLASTIC CASE  
-55/125°C 100000h  
630V to 3000V  
0.001uF to 4.7uF

125°C

## AC FILTER

85°C

### KE8

SCREW ALUMINIUM CAN  
85°C 100000h  
250V to 850V  
10uF to 600uF

### K5F

SCREW ALUMINIUM CAN  
85°C 100000h  
230V to 850V 3Ph  
3X8uF to 3X335uF

105°C

### KE9

PIN PLASTIC CASE  
-55/105°C 100000h  
180V to 760V  
0.1uF to 60uF

### K2F

PIN PLASTIC CASE  
105°C 100000h  
160V to 450V  
0.15 uF to 40uF

## MODULAR

### K7F

MODULAR PLASTIC CASE  
105°C 100000h  
450V to 1200V  
300 uF to 1200uF

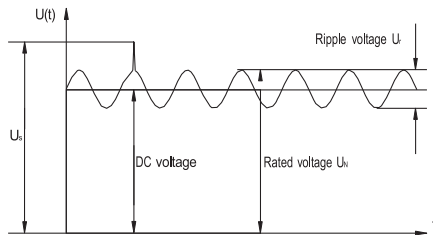
## 1. Technical Terms and Definitions

### 1.1 Rated Capacitance $C_n$

The rated capacitance measured at  $20 \pm 5^\circ\text{C}$ , 100Hz.

### 1.2 Rated Voltage $U_n$

The maximum or peak voltage of either polarity of non-reversing type wave form for which the capacitor has been designed and rated.



### 1.3 Non-Repetitive Peak (non-recurrent surge) Voltage $U_s$

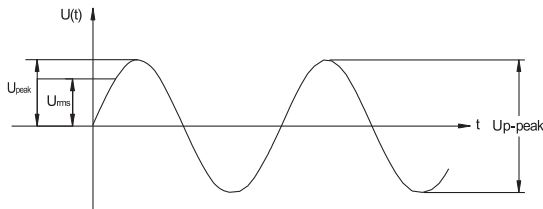
Voltages beyond the rated voltage induced by switching or faults of the system or any part of it. Maximum count 1000 times with the duration of not more than 50 ms each.

### 1.4 Ripple Voltage $U_r$

The peak-to-peak alternating component of the unidirectional voltage

### 1.5 Rated A.C Voltage $U_{rms}$

Root mean square of the max. permissible value of sinusoidal AC voltage in continuous operation



### 1.6 Rated A.C peak voltage $U_{peak}$

Rated A.C peak voltage, permissible A.C peak voltage in continuous operation.

### 1.7 Voltage Rise Time $du/dt$

This value shows the maximum voltage rise or fall time, it is expressed in volts per microsecond, and cannot overcome.

### 1.8 Maximum non-repetitive rate of voltage rise $(du/dt)_s$

Peak rate of voltage rise that may occur non-repetitively and briefly in the event of a fault.

### 1.9 Voltage Test between terminals $U_{t-t}$

Routine test of all capacitors conducted at room temperature, prior to delivery. A further test with 80% of the test voltage stated in the data sheet may be carried out once at the user's location.

### 1.10 Voltage Test between terminals and case $U_{t-c}$

Routine test of all capacitors between short-circuited terminals and case, conducted at room temperature. May be repeated at the user's location.

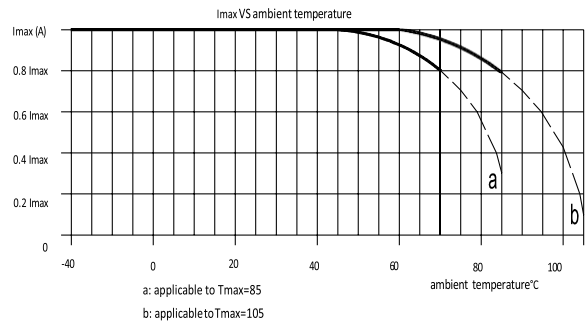
### 1.11 Peak Current $I_{peak}$

Maximum permitted repetitive current amplitude during continuous operation

$$I_{peak} = C_n \times (du/dt)$$

### 1.12 Maximum Current $I_{max}$

Maximum rms value of permissible current in continuous operation. The values given in the data sheets are related to either the specified maximum power dissipation or the current limits of the connection terminals



### 1.13 Non-repetitive Peak Current (surge) $I_s$

Maximum current that may occur non-repetitively and briefly in the event of a fault. Maximum count 1000 times with the duration of not more than 50 ms each.

$$I_s = C_n \times (du/dt)_s$$

### 1.14 Equivalent Series Resistance $ESR$

Equivalent resistance representing the sum of all Ohmic resistances occurring inside the capacitor. Essential for calculation of the current dependent losses.

### 1.15 Self-inductance $L_s$

Represents the sum of all inductive elements which are, for mechanical and construction reasons, contained in any capacitor.

### 1.16 Insulation Resistance $I.R.$

The insulation resistance between terminals is expressed by meaning of the discharge time constant R.C. Measured for 1 minute at 100 Vdc and at  $25 \pm 5^\circ\text{C}$ . The time constant (s) of a capacitor is the product of IR and capacitance:

$$s = M \times \mu F$$

### 1.17 Resonant Frequency $F_r$

The capacitance and self-inductance of any capacitor form a series resonant circuit. Above the resonant frequency, the inductive part of this LC-circuit prevails. The capacitor would then behave as an inductor.

$$F_r = \frac{1}{2\pi\sqrt{C_n \times L_s}}$$

### 1.18 Dielectric Dissipation Factor $\tan\delta$

Constant dissipation factor of the dielectric material for all capacitors in their rated frequency. The typical dielectric dissipation factor of BOPP is  $2 \times 10^{-4}$ .

### 1.19 Dissipation Factor $\tan\delta$

Dissipation factor calculated as:

$$\tan\delta = 2\pi f \times C_n \times ESR$$

### 1.20 Thermal Resistance $R_{th}$

The thermal resistance indicates by how many degrees the capacitor temperature at the hotspot rises in relation to the dissipation losses.

### 1.21 Maximum Power Dissipation $P_{max}$

Maximum permitted power dissipation for the capacitor's operation.

$$P_{max} = \frac{T_{hs} - T_e}{R_{th}}$$

### 1.22 Ambient Temperature $T_e$

Temperature of the surrounding air, measured 10 cm away and at 2/3 of the case height of the capacitor.

### 1.23 Hotspot Temperature $T_{hs}$

Temperature at hottest spot inside the capacitor

### 1.24 Lower Category Temperature $T_{min}$

Lowest permissible ambient temperature at which a capacitor may be used.

### 1.25 Upper Category Temperature $T_{max}$

Highest permissible capacitor temperature during operation, i.e. temperature at the hottest point of the case.

### 1.26 Rated Energy Contents $W_n$

Energy stored in the capacitor when charged at rated voltage.

$$W_n = \frac{1}{2} \times C_n \times U_n^2$$

### 1.27 Clearance in air $L$

The shortest distance between conducting parts of the terminals or between terminals and case.

### 1.28 Creepage distance $K$

The shortest distance along an insulated surface between conducting parts of the terminals or between terminals and case.

### 1.29 Altitude

The maximum allowable altitude is 2000 meters. As the barometric pressure decreases, the terminal arc-over susceptibility increases. Heat cannot be properly dissipated operating at high altitude and can result in high losses and eventual failure.

### 1.30 Storing Temperature

The range over which the capacitor can be stored without any applied voltage, with no degradation is -40 to +85 °C.

### 1.31 Life Expectancy $L_e$

Above all, the expected life of the capacitors depends on the internal temperature during operation, and the field strength in its dielectric.

Life expectancy versus voltage

$$L_e = L_n \times \left( \frac{U_n}{U_w} \right)^7$$

$L_e$  = Life expectancy at operating voltage (h)

$L_n$  = Life expectancy at nominal voltage (h)

$U_n$  = Nominal voltage (v)

$U_w$  = Operating voltage (v)

Life expectancy versus temperature

$$L_e = L_{T0} \times 2^{\frac{(T_0 - T_{hs})}{11}}$$

$L_e$  = Life expectancy at  $\theta_{hs}$  hot spot temperature (h)

$L_{T0}$  = Life expectancy at 70°C hot spot temperature (h)

$T_0$  = 70°C hot spot temperature (70°C)

$T_{hs}$  =  $\theta_{hs}$  Hot spot temperature (°C)

## 2. Mounting and Operating Instructions

### 2.1 Overpressure Disconnecter

When mounting capacitors with overpressure disconnectors, make sure that the elastic elements of the fuse are not impeded.

This means:

- The connecting leads must be sufficiently elastic.
- There must be enough space left for expansion above the terminals of aluminum-cased capacitors (stated for the individual type).
- The folded crimps must not be held by retaining clamps.
- The elastic bottom of capacitors in round steel cases must be free to move.

### 2.2 Mounting position

Capacitors can be mounted in any position except for some series that can only be mounted upright. But the following exceptions to the rule are possible:

- Capacitors in aluminum cases with voltage ratings up to 3600 V and capacitors in rectangular steel cases may also be positioned horizontally.
- At higher voltages or for capacitors in round steel cases, horizontal positioning is also permissible. But consult the manufacturer first.

### 2.3 Mounting

The threaded bolt on the bottom of aluminum cases with a diameter of  $\leq 60$  mm and a height of  $\leq 160$  mm may be used for attachment if vibration stress does not exceed 5 g. For larger dimensions and vibration of  $> 5$  g, the capacitors should be mounted by clamps, rings, etc.

Mounting with threaded bolt:

Threaded bolt	Threaded bolt length	Maximum torque
M8	10 mm	4.5 N.m
M10	12 mm	6 N.m
M12	16 mm	8 N.m

### 2.4 Terminals

For terminal bolt and nut tightening torques, refer to the individual datasheets. The terminal torque must not act upon the ceramic. The lead should be locked between two nuts.

Female	Max Torque	Male	Max Torque
M5	2.5 N.m	M8	8.5 N.m
M6	4.5 N.m	M10	12 N.m
M8	8.5 N.m	M12	15 N.m

**2.4.1 Minimum terminal connection cross-sections in accordance with VDE/DIN 0100 part 523 and 430, group 2.** For the electrical terminals on ceramic lead-throughs only flexible leads should be used so that these lead-throughs are guarded against mechanical stress.

The outer leads of the capacitor should be dimensioned so that no heat is conducted into the component. You are advised to scale these leads so that heat is conducted away from capacitor terminals.

### 2.5 Grounding

Either a threaded bolt or a strap serves for grounding to VDE 0100. Grounding is omitted for single-pole and fully insulated capacitors. The layer of varnish beneath the clamp should be removed when grounding with a metal clamp.

## 2.6 Safety precautions

Observe appropriate safety precautions in use (self-recharging phenomena and the high energy contained in capacitors).

## 2.7 Solder conditions for radial and axial units on PCB

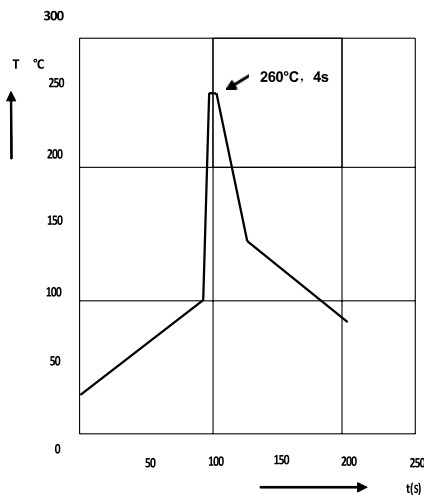
The soldering temperature must be set to keep the temperature inside the capacitors below the following general limits:

Solder bath temperature  $260 \pm 5^\circ\text{C}$ , Soldering time 4s for radial units with leads pitch  $P > 10\text{mm}$ .

When soldering the leads, make sure the capacitors are not damaged through excessive heat.

This means:

- Lead wires with a cross-section of  $> 1.5 \text{ mm}^2$  should not be soldered but clamped (soldering would require too much heat).
- Do not solder at spots where heat concentrates, otherwise there is a risk that the solder joint of the tags melts.



Immersion depth	2.0 $\pm 0.5\text{mm}$ from capacitor body or seating plane
Shield	Heat-absorbing board, $(1.5 \pm 0.5)$ mm thick, between capacitor body and liquid solder
Evaluation criteria:	
Visual inspection	No visible damage
$\Delta C/C_0$	2% for KE2/KE4/KE6/KE9/K1F/K2F/K3F/K4F/K9E
$\tan\delta$	5% for KE2/KE4/KE6/KE9/K1F/K2F/K3F/K4F/K9E

## 3. End of use and disposal

The materials used in capacitors for power electronics from KENDEIL do not exceed the limits for chemical substances specified in the following national regulations:

- Chemicals prohibition regulation,
- CFC halogen prohibition regulation.

Our capacitors for power electronics contain no means of impregnation with PCB. Capacitors without PCB for power electronics are not explicitly mentioned in the waste qualification regulations. From this it could be deduced that they do not have to be disposed of as "waste requiring special supervision".

Because of our special commitment to and responsibility for the environment, we ask you to take every care when disposing of capacitors. We recommend that you drain the impregnation oil out of the capacitor and send it to an oil refuse depot. The emptied capacitor can then be disposed of as a grease and oil soiled item of apparatus. In any case it is advisable to consult a waste disposal facility and to find out about the applicable regulations in force.

## 4. Delivery and packing

In the packing of products, KENDEIL naturally supports the needs of protection of the environment.

In the words:

- Use of packing made of environmentally compatible materials.
- Reduction of packaging to the necessary minimum.
- We have implemented the following measures to ensure compliance with regulations governing the handling and disposal of commercial waste.
- Use of pallets.
- Securing of pallets by straps and edge guards of environment-friendly plastic (PE or PP). Stretch and shrink film (PE) are used.
- Shipping cartons are identified by the RESY symbol.
- Separating layers for pallets and cartons are primarily of paper or cardboard.
- Filler material consists of paper.
- Shipping cartons are sealed with recycled paper adhesive tape to ensure material of the same kind for disposal.
- We take our packaging back (especially product-specific packaging made of plastic). Nevertheless, we request our customers to deliver cardboard products, corrugated board, paper, etc. to recycling or disposal operators in order to avoid unnecessary transport of empty packaging.

## 5. Application

### 5.1 Capacitor for a DC-Link application

The rated voltage of the capacitor must be equal to or bigger than the applied DC voltage plus ripple voltage:

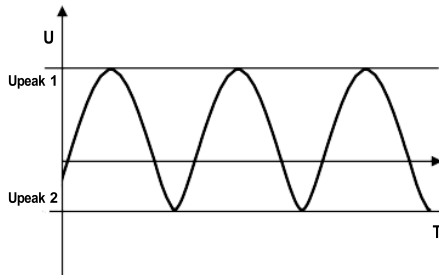
$$U_n \geq U_{dc} + \frac{U_r}{2}$$

According to the data sheets of values, you should find a capacitor with required capacitance  $C_n$  and voltage  $U_n$  is recommended. You must also verify that the maximum r.m.s. current for continuous operation can be accepted by the capacitor:  $I_{max}$  depends on the terminal or specified on the sheets.

These capacitors may be subjected to the following surge voltages without any significant reduction in lifetime expectancy.

Repetitive surge voltage	Maximum duration
1.1 x $U_n$	30% of the service period
1.15 x $U_n$	30 min/d
1.2 x $U_n$	5 min/d
1.3 x $U_n$	1 min/d
1.5 x $U_n$	100 ms no more than 1000 times

### 5.2 Capacitor for a AC application



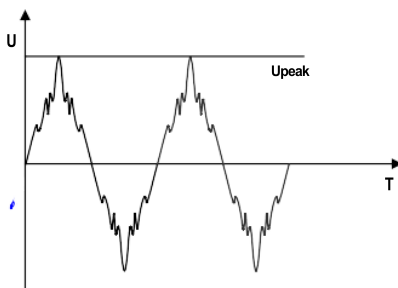
The rated voltage of the capacitor must be equal to or bigger than the higher one on the two  $U_{peak1}$  and  $U_{peak2}$ .

According to the data sheets of values, you should find a capacitor with required capacitance  $C_n$  and voltage  $U_n$  is recommended. You must also verify that the maximum r.m.s. current for continuous operation can be accepted by the capacitor:  $I_{max}$  depends on the terminal or specified on the sheets.

### 5.3 Capacitor for AC filter

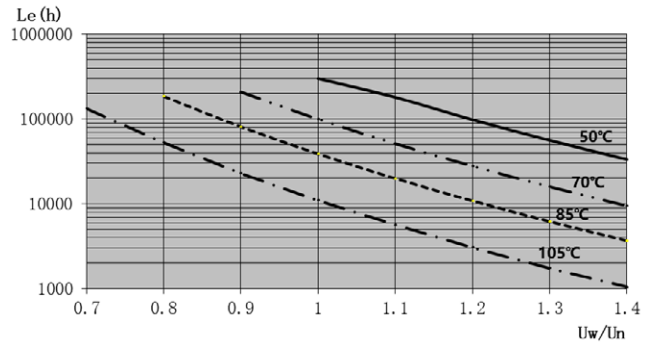
For AC filter capacitors, the AC voltage rating  $U_n$  AC is not determined by the rms value  $U_{rms}$ , but by the peak value of the resulting voltage (as measured by an oscilloscope or calculated from available harmonic data).

In any case, the rated voltage must be bigger than the applied peak voltage.



### 5.4 Operating life

The operating life of the capacitors depends on the internal temperature during operation, and the field strength in its dielectric. The capacitors have been designed for an average service life of 100,000h (permitted failure rate  $\leq 150ppm$ ). These values are rated for the hotspot temperatures specified in the selection charts. The following diagram demonstrates the correlation between service life, temperature, and operating voltage.



### 5.5 Lifetime Statements vs. Failure Rate

Statements on lifetime can become misleading as they may imply unreasonable assumptions; with clever derating of temperatures and operating voltages, one may create the illusion that a capacitor should last a million hours or more, while such statement would be purely theoretical and impossible to prove (even more so that most of the design features used in modern capacitors have not been in use for more than 20 years and would therefore not be backed up by any empirical references). Another problem with lifetime statements is that they do not inform about failures during the "rated" lifetime, and – in turn – may create the impression that after the expiration of the "rated" lifetime, the capacitor shall be exhausted, or fail. Any engineer will agree from own experience that in reality, there are components which may last much longer even under harder conditions, whilst others may fail prematurely.

### 5.6 Failure Modes

Plastic dielectric film capacitors can undergo two classic failure modes: open or shorts or high resistance shorts. In addition to these failures, capacitors may fail due to capacitance drift, instability with temperature, high dissipation factor or low insulation resistance. Failures can be the result of electrical, mechanical or environmental overstress, due to dielectric degradation during operation.

## K36 TYPE -40 +85°C 100000H

### Overview

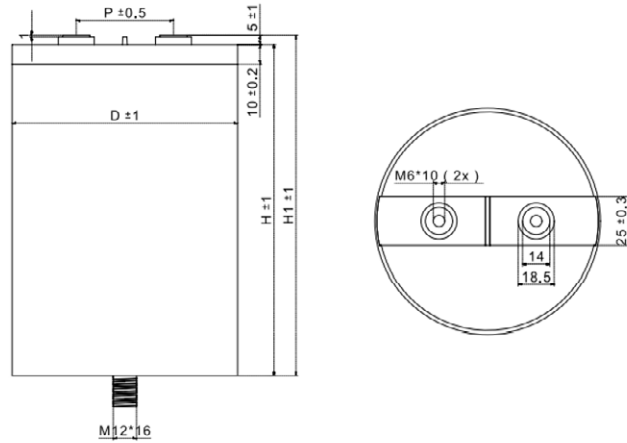
The K36 capacitor is constructed of metallized polypropylene film in cylindrical aluminum can with stud and filled with epoxy resin. These K36 are specially design for application in high power conversion which required high capacitance with high reliability.

<b>Applications</b>	Widely used in high performance DC filtering, solar inverter, wind power and energy storage. Suitable for centralized inverter systems and can replace bank of series-connected electrolytic capacitors.
<b>Reference standard</b>	IEC 61071
<b>Construction</b>	Metallized Polypropylene Film
<b>Coating</b>	Cylinder Aluminium Case
<b>Terminals</b>	Tinned Brass Terminals (Lead Free)
<b>Operating temperature range</b>	-40 to +85°C
<b>Capacitance</b>	24μF to 5600μF
<b>Rated Voltage</b>	600 to 4000 VDC
<b>Tolerance</b>	±5% or ±10% at +25°C
<b>Dissipation Factor</b>	≤0.0020 at 100Hz
<b>Life Expectancy</b>	≥100,000 hours at rated voltage and 70°C
<b>Dielectric strength</b>	1.5 x VR VDC for 10 seconds
<b>Test Voltage terminal to case</b>	4000VAC 50/60Hz 10 seconds
<b>Insulation Resistance</b>	IR x C ≥10,000s at 100VDC 1minute at +25°C

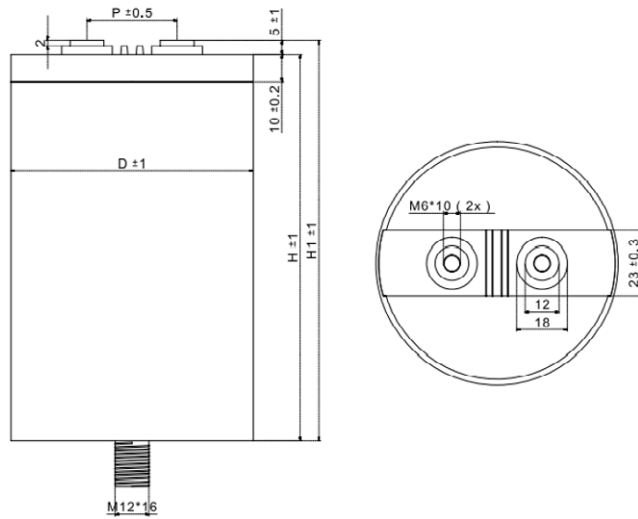
### DISK DIMENSIONS

D (mm)	75, 86	100	116,136
D (mm)	12.0	15.0	15.0
d1 (mm)	15.0	18.0	18.0
P (mm)	32.0	32.0	50.0

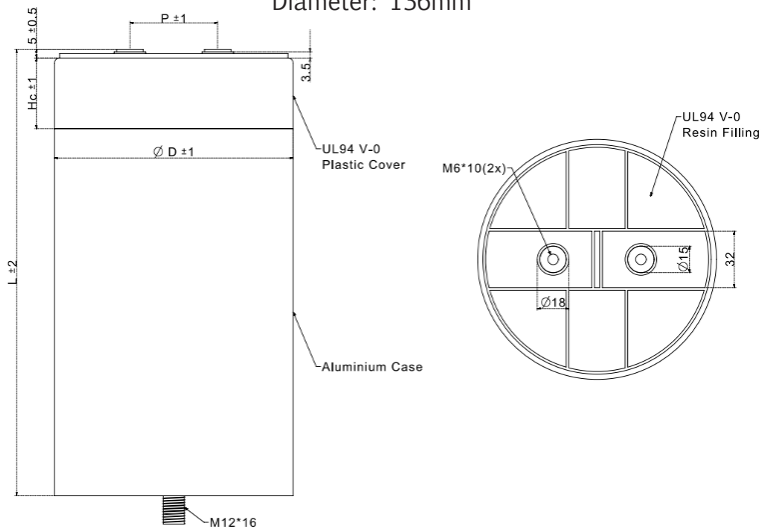
Diameters: 76mm, 86mm



Diameter: 116mm



Diameter: 136mm



## K36 TYPE STANDARD RATINGS

Cap Value μF	Dimensions (mm)			I <sub>rms</sub> 10KHz A(50°C)	Peak Current A	ESR 1KHz mΩ	ESL nH	Thermal Res °C/W	dv/dt V/us	PART NUMBER
	D	H1	P							
480	75	101	32	65	1560	1,5	45	5,5	3,3	K36600481_6K1J101
650	75	126	32	62	1560	1,9	50	4,7	2,4	K36600651_6K1J126
800	75	146	32	60	1600	2,0	55	4,6	2,0	K36600801_6K1J146
950	75	180	32	70	3200	1,5	45	4,2	3,4	K36600951_6K1J180
650	86	101	32	70	2200	1,2	45	5,1	3,4	K36600651_6K1Q101
880	86	126	32	70	2100	1,5	50	4,7	2,4	K36600881_6K1Q126
1000	86	142	32	65	2430	1,0	55	4,6	2,4	K36600102_6K1Q142
1100	86	146	32	66	2160	1,7	55	4,6	2,0	K36600112_6K1Q146
1100	86	161	32	70	4200	1,4	40	4,3	3,8	K36600112_6K1Q161
1300	86	180	32	70	4200	1,4	45	4,3	3,2	K36600132_6K1Q180
2000	86	260	32	70	6500	1,1	55	3,0	3,3	K36600202_6K1Q260
900	96	101	50	70	2900	1,3	45	4,7	3,2	K36600901_6K1R101
1200	96	126	50	70	2900	1,4	50	4,1	2,4	K36600122_6K1R126
1400	96	141	50	70	2890	1,5	55	3,9	2,1	K36600142_6K1R141
1500	96	146	50	70	2850	1,6	55	3,8	1,9	K36600152_6K1R146
1600	96	161	50	70	6000	1,0	40	3,5	3,8	K36600162_6K1R161
1800	96	180	50	70	6000	1,0	45	3,2	3,3	K36600182_6K1R180
1200	116	101	50	80	4000	0,7	45	5,4	3,3	K36600122_6K1T101
1600	116	126	50	80	4000	1,0	50	5,0	2,5	K36600162_6K1T126
2000	116	146	50	80	4000	1,1	55	4,9	2,0	K36600202_6K1T146
2100	116	161	50	100	8000	0,8	40	3,6	3,8	K36600212_6K1T161
2400	116	180	50	100	8000	0,9	45	3,4	3,3	K36600242_6K1T180
3000	116	230	50	100	11200	0,8	50	2,7	3,7	K36600302_6K1T230
5600	136	270	50	100	16000	0,8	60	2,0	2,9	K36600562_6K1U270

**RATED  
VOLTAGE  
600VDC**

## K36 TYPE STANDARD RATINGS

Cap Value μF	Dimensions (mm)			I <sub>rms</sub> 10KHz A(50°C)	Peak Current A	ESR 1KHz mΩ	ESL nH	Thermal Res °C/W	dv/dt V/us	PART NUMBER
	D	H1	P							
360	75	101	32	62	1560	1,6	45	5,6	4,3	K36700361_6K1J101
480	75	126	32	59	1530	2,1	50	4,7	3,2	K36700481_6K1J126
580	75	146	32	56	1530	2,4	55	4,6	2,6	K36700581_6K1J146
620	75	161	32	70	3000	1,5	40	4,3	4,8	K36700621_6K1J161
720	75	180	32	70	3200	1,6	45	4,2	4,4	K36700721_6K1J180
480	86	101	32	70	2100	1,3	45	5,1	4,4	K36700481_6K1Q101
650	86	126	32	66	2100	1,7	50	4,7	3,2	K36700651_6K1Q126
750	86	141	32	61	2100	2,0	55	4,7	2,8	K36700751_6K1Q141
780	86	146	32	63	2100	1,9	55	4,6	2,7	K36700781_6K1Q146
820	86	161	32	70	4100	1,4	40	4,4	5,0	K36700821_6K1Q161
950	86	180	32	70	4100	1,5	45	4,3	4,3	K36700951_6K1Q180
1500	86	260	32	70	6500	1,1	55	3,0	4,3	K36700152_6K1Q260
650	96	101	50	69	2700	1,4	45	4,7	4,2	K36700651_6K1R101
900	96	126	50	69	2700	1,5	50	4,1	3,0	K36700901_6K1R126
1000	96	141	50	67	2700	1,7	55	3,9	2,7	K36700102_6K1R141
1100	96	146	50	68	2800	1,7	55	3,8	2,5	K36700112_6K1R146
1100	96	161	50	68	5200	1,0	40	3,5	4,7	K36700112_6K1R161
1300	96	180	50	70	5500	1,1	45	3,2	4,2	K36700132_6K1R180
920	116	101	50	80	4000	0,7	45	5,4	4,3	K36700921_6K1T101
1200	116	126	50	80	4000	1,0	50	5,0	3,3	K36700122_6K1T126
1500	116	161	50	80	4000	1,1	55	4,9	2,7	K36700152_6K1T161
1800	116	180	50	100	7800	1,0	40	3,4	4,3	K36700182_6K1T180
2300	116	230	50	100	11500	0,8	50	2,7	5,0	K36700232_6K1T230
4200	136	270	50	100	16000	0,8	60	2,0	3,8	K36700422_6K1U270

**RATED  
VOLTAGE  
700VDC**

## K36 TYPE STANDARD RATINGS

Cap Value μF	Dimensions (mm)			I <sub>rms</sub> 10KHz A(50°C)	Peak Current A	ESR 1KHz mΩ	ESL nH	Thermal Res °C/W	dv/dt V/us	PART NUMBER
	D	H1	P							
290	75	101	32	60	1500	1,7	45	5,6	10,5	K36800291_6K1J101
400	75	126	32	58	1560	2,2	50	4,7	3,9	K36800401_6K1J126
480	75	146	32	55	1560	2,5	55	4,6	3,3	K36800481_6K1J146
480	75	161	32	70	1560	1,6	40	4,3	3,3	K36800481_6K1J161
560	75	180	32	70	3000	1,7	45	4,2	5,4	K36800561_6K1J180
520	86	126	32	64	2000	1,8	50	4,7	3,8	K36800521_6K1Q126
580	86	142	32	61	2000	2,0	55	4,6	3,4	K36800581_6K1Q142
630	86	146	32	60	2000	2,1	55	4,6	3,2	K36800631_6K1Q146
650	86	161	32	70	3000	1,5	40	4,4	4,6	K36800651_6K1Q161
750	86	180	32	70	4000	1,6	45	4,3	5,3	K36800751_6K1Q180
1100	86	260	32	70	4000	1,2	55	3,0	3,6	K36800112_6K1Q260
500	96	101	50	67	2620	1,4	45	4,7	5,2	K36800501_6K1R101
700	96	126	50	67	2700	1,6	50	4,1	3,9	K36800701_6K1R126
800	96	141	50	66	2700	1,8	55	3,9	3,4	K36800801_6K1R141
850	96	146	50	66	2700	1,8	55	3,8	3,2	K36800851_6K1R146
900	96	161	50	70	5400	1,1	40	3,5	6,0	K36800901_6K1R161
1000	96	180	50	70	5300	1,1	45	3,2	5,3	K36800102_6K1R180
720	116	101	50	80	3800	0,8	45	5,4	5,3	K36800721_6K1T101
1000	116	126	50	79	4000	1,1	60	5,0	7,0	K36800102_6K1T126
1200	116	146	50	77	4000	1,2	55	4,9	3,3	K36800122_6K1T146
1200	116	161	50	100	7500	0,9	40	3,6	6,3	K36800122_6K1T161
1500	116	180	50	100	8000	1,0	45	3,4	5,3	K36800152_6K1T180
1800	116	230	50	100	11000	0,8	50	2,7	6,1	K36800182_6K1T230
3200	136	270	50	100	15000	0,8	60	2,0	4,7	K36800322_6K1U270

**RATED  
VOLTAGE  
800VDC**

## K36 TYPE STANDARD RATINGS

Cap Value μF	Dimensions (mm)			I <sub>rms</sub> 10KHz A(50°C)	Peak Current A	ESR 1KHz mΩ	ESL nH	Thermal Res °C/W	dv/dt V/us	PART NUMBER
	D	H1	P							
290	75	101	32	55	1530	2,0	45	5,6	5,3	K36900291_6K1J101
400	75	126	32	53	1560	2,6	50	4,7	3,9	K36900401_6K1J126
480	75	146	32	51	1540	2,9	55	4,6	3,2	K36900481_6K1J146
480	75	161	32	69	2920	1,7	40	4,3	6,1	K36900481_6K1J161
560	75	180	32	68	2960	1,8	45	4,2	5,3	K36900561_6K1J180
380	86	101	32	65	2000	1,6	45	5,1	5,3	K36900381_6K1Q101
520	86	126	32	59	2000	2,1	50	4,7	3,8	K36900521_6K1Q126
580	86	142	32	58	2000	2,2	55	4,6	3,4	K36900581_6K1Q142
630	86	146	32	55	2030	2,4	55	4,6	3,2	K36900631_6K1Q146
650	86	161	32	70	3950	1,5	40	4,4	6,1	K36900651_6K1Q161
750	86	180	32	70	3950	1,6	45	4,3	5,3	K36900751_6K1Q180
1100	86	260	32	70	5800	1,3	55	3,0	5,3	K36900112_6K1Q260
500	96	101	50	67	2620	1,4	45	4,7	5,2	K36900501_6K1R101
700	96	126	50	67	2700	1,6	50	4,1	3,9	K36900701_6K1R126
800	96	141	50	66	2700	1,8	55	3,9	3,4	K36900801_6K1R141
850	96	146	50	66	2700	1,8	55	3,8	3,2	K36900851_6K1R146
900	96	161	50	70	5400	1,1	45	3,5	6,0	K36900901_6K1R161
1000	96	180	50	70	5230	1,1	45	3,2	5,2	K36900102_6K1R180
720	116	101	50	80	3800	1,1	45	5,4	5,3	K36900721_6K1T101
1200	116	146	50	71	3860	1,4	55	4,9	3,2	K36900122_6K1T146
1200	116	161	50	100	7280	0,9	40	3,6	6,1	K36900122_6K1T161
1500	116	180	50	60	12000	2,0	65	4,8	8,0	K36900152_6K1T180
1800	116	230	50	100	14400	0,8	60	2,4	8,0	K36900182_6K1T230
3200	136	270	50	100	15000	0,8	60	2,0	4,7	K36900322_6K1U270

RATED  
VOLTAGE  
900VDC

## K36 TYPE STANDARD RATINGS

Cap Value μF	Dimensions (mm)			I <sub>rms</sub> 10KHz A(50°C)	Peak Current A	ESR 1KHz mΩ	ESL nH	Thermal Res °C/W	dv/dt V/us	PART NUMBER
	D	H1	P							
220	75	101	32	53	1500	2,2	45	5,6	6,8	K36101221_6K1J101
300	75	126	32	50	1500	2,9	50	4,7	5,0	K36101301_6K1J126
360	75	146	32	48	1500	3,3	55	4,6	4,2	K36101361_6K1J146
360	75	161	32	65	2750	1,9	40	4,3	7,6	K36101361_6K1J161
420	75	180	32	64	2750	2,0	45	4,2	6,5	K36101421_6K1J180
290	86	101	32	61	1920	1,8	45	5,1	6,6	K36101291_6K1Q101
400	86	126	32	56	1950	2,3	50	4,7	4,9	K36101401_6K1Q126
470	86	141	32	58	2000	2,2	55	4,6	4,3	K36101471_6K1Q141
480	86	146	32	54	2000	2,6	55	4,6	4,2	K36101481_6K1Q146
500	86	161	32	70	3800	1,6	40	4,4	7,6	K36101501_6K1Q161
560	86	180	32	69	3800	1,7	45	4,3	6,8	K36101561_6K1Q180
900	86	260	32	75	5960	1,3	55	3,0	6,6	K36101901_6K1Q260
380	96	101	50	65	2500	1,5	45	4,7	6,6	K36101381_6K1R101
500	96	126	50	64	2400	1,8	50	4,1	4,8	K36101501_6K1R126
600	96	141	50	63	2500	1,9	55	3,9	4,2	K36101601_6K1R141
650	96	146	50	64	2590	1,9	55	3,8	4,0	K36101651_6K1R146
650	96	161	50	70	4800	1,1	40	3,5	7,4	K36101651_6K1R161
780	96	180	50	70	5100	1,1	45	3,2	6,5	K36101781_6K1R180
540	116	101	50	80	3600	1,0	45	5,4	6,7	K36101541_6K1T101
740	116	126	50	70	3600	1,4	50	5,0	4,9	K36101741_6K1T126
900	116	146	50	69	6800	1,5	55	4,9	7,6	K36101901_6K1T146
1100	116	180	50	92	7280	1,2	45	3,4	6,6	K36101112_6K1T180
1600	116	230	50	100	8000	1,5	75	2,1	5,0	K36101162_6K1T230
2500	136	270	50	100	14500	0,9	60	2,0	5,8	K36101252_6K1U270

**RATED  
VOLTAGE  
1000VDC**

## K36 TYPE STANDARD RATINGS

Cap Value μF	Dimensions (mm)			I <sub>rms</sub> 10KHz A(50°C)	Peak Current A	ESR 1KHz mΩ	ESL nH	Thermal Res °C/W	dv/dt V/us	PART NUMBER
	D	H1	P							
170	75	101	32	50	1700	3,2	60	3,8	10,0	K36111171_6K1J101
250	75	126	32	49	1430	3,0	50	4,7	5,7	K36111251_6K1J126
300	75	146	32	46	1430	3,5	55	4,6	4,8	K36111301_6K1J146
310	75	161	32	65	2780	1,9	40	4,3	9,0	K36111311_6K1J161
360	75	180	32	64	2800	2,0	45	4,2	7,8	K36111361_6K1J180
240	86	101	32	60	1880	1,9	45	5,1	7,8	K36111241_6K1Q101
330	86	126	32	55	1890	2,4	50	4,7	5,7	K36111331_6K1Q126
420	86	142	32	57	2100	2,3	55	4,6	5,0	K36111421_6K1Q142
420	86	161	32	63	3800	1,7	40	4,4	9,0	K36111421_6K1Q161
500	86	180	32	67	3800	1,8	45	4,3	7,6	K36111501_6K1Q180
750	86	260	32	70	5800	1,3	55	3,0	7,7	K36111751_6K1Q260
330	96	101	50	65	2600	1,5	45	4,7	7,9	K36111331_6K1R101
440	96	126	50	63	2500	1,8	50	4,1	5,7	K36111441_6K1R126
510	96	141	50	62	2500	2,0	55	3,9	4,9	K36111511_6K1R141
540	96	146	50	62	2500	2,1	55	3,8	4,6	K36111541_6K1R146
560	96	161	50	70	5000	1,1	40	3,5	8,9	K36111561_6K1R161
650	96	180	50	70	5000	1,2	45	3,2	7,7	K36111651_6K1R180
450	116	101	50	80	3500	1,0	45	5,4	7,8	K36111451_6K1T101
620	116	126	50	70	3500	1,4	50	5,0	5,6	K36111621_6K1T126
750	116	146	50	66	3500	1,6	55	4,9	4,7	K36111751_6K1T146
780	116	161	50	100	7000	0,9	40	3,6	9,0	K36111781_6K1T161
920	116	180	50	96	7200	1,1	45	3,4	7,8	K36111921_6K1T180
1200	116	230	50	100	11000	0,9	50	2,7	9,2	K36111122_6K1T230
1400	116	276	50	100	10000	1,2	80	1,8	7,2	K36111142_6K1T276
2200	136	270	50	100	15000	0,9	60	2,0	6,8	K36111222_6K1U270

**RATED  
VOLTAGE  
1100VDC**

## K36 TYPE STANDARD RATINGS

**RATED  
VOLTAGE  
1200VDC**

Cap Value μF	Dimensions (mm)			I <sub>rms</sub> 10KHz A(50°C)	Peak Current A	ESR 1KHz mΩ	ESL nH	Thermal Res °C/W	dv/dt V/us	PART NUMBER
	D	H1	P							
140	75	101	32	48	1350	2,7	45	5,6	6,8	K36121141_6K1J101
200	75	126	32	47	1400	3,4	50	4,7	7,0	K36121201_6K1J126
240	75	146	32	44	1400	3,9	55	4,6	5,8	K36121241_6K1J146
240	75	161	32	63	2600	2,0	40	4,3	10,8	K36121241_6K1J161
280	75	180	32	62	2700	2,1	45	4,2	9,6	K36121281_6K1J180
190	86	101	32	57	1800	2,1	45	5,1	9,5	K36121191_6K1Q101
260	86	126	32	52	1800	2,7	50	4,7	6,9	K36121261_6K1Q126
320	86	142	32	55	1900	2,5	55	4,6	5,9	K36121321_6K1Q142
330	86	146	32	50	1900	3,0	55	4,6	5,8	K36121331_6K1Q146
330	86	161	32	66	3600	1,8	40	4,4	10,9	K36121331_6K1Q161
380	86	180	32	65	3600	1,9	45	4,3	9,5	K36121381_6K1Q180
580	86	260	32	75	5500	1,5	55	3,0	9,5	K36121581_6K1Q260
250	96	101	50	61	2300	1,7	45	4,7	9,2	K36121251_6K1R101
350	96	126	50	61	2400	2,0	50	4,1	6,9	K36121351_6K1R126
400	96	141	50	59	2400	2,2	55	3,9	6,0	K36121401_6K1R141
420	96	146	50	59	2400	2,2	55	3,8	5,7	K36121421_6K1R146
450	96	161	50	70	4800	1,2	40	3,5	10,7	K36121451_6K1R161
500	96	180	50	70	4600	1,2	45	3,2	9,2	K36121501_6K1R180
360	116	101	50	76	3400	1,1	45	5,4	9,4	K36121361_6K1T101
500	116	126	50	66	3500	1,6	50	5,0	7,0	K36121501_6K1T126
600	116	146	50	62	3500	1,8	55	4,9	5,8	K36121601_6K1T146
620	116	161	50	98	6800	1,0	40	3,6	11,0	K36121621_6K1T161
720	116	180	50	92	6800	1,2	45	3,4	9,4	K36121721_6K1T180
950	116	230	50	100	10000	0,9	50	2,7	10,5	K36121951_6K1T230
1700	136	270	50	100	13900	0,9	60	2,0	8,2	K36121172_6K1U270

## K36 TYPE STANDARD RATINGS

Cap Value μF	Dimensions (mm)			I <sub>rms</sub> 10KHz A(50°C)	Peak Current A	ESR 1KHz mΩ	ESL nH	Thermal Res °C/W	dv/dt V/us	PART NUMBER
	D	H1	P							
120	75	101	32	46	1300	2,9	45	5,6	10,8	K36131121_6K1J101
170	75	126	32	44	1350	3,7	50	4,7	7,9	K36131171_6K1J126
210	75	146	32	43	1400	4,1	55	4,6	6,7	K36131211_6K1J146
210	75	161	32	62	2650	2,1	40	4,3	12,6	K36131211_6K1J161
240	75	180	32	60	2600	2,3	45	4,2	10,8	K36131241_6K1J180
170	86	101	32	55	1850	2,2	45	5,1	10,9	K36131171_6K1Q101
230	86	126	32	51	1850	2,8	50	4,7	8,0	K36131231_6K1Q126
270	86	142	32	52	1800	2,8	55	4,6	6,7	K36131271_6K1Q142
270	86	146	32	48	1800	3,3	55	4,6	6,7	K36131271_6K1Q146
280	86	161	32	66	3500	1,8	40	4,4	12,5	K36131281_6K1Q161
320	86	180	32	65	3500	1,9	45	4,3	10,9	K36131321_6K1Q180
520	86	260	32	70	5600	1,5	55	3,0	10,8	K36131521_6K1Q260
210	96	101	50	60	2300	1,8	45	4,7	11,0	K36131211_6K1R101
280	96	126	50	58	2300	2,1	50	4,1	8,2	K36131281_6K1R126
330	96	141	50	57	2300	2,3	55	3,9	7,0	K36131331_6K1R141
360	96	146	50	58	2400	2,3	55	3,8	6,7	K36131361_6K1R146
380	96	161	50	70	4700	1,2	40	3,5	12,4	K36131381_6K1R161
420	96	180	50	70	4500	1,3	45	3,2	10,7	K36131421_6K1R180
320	116	101	50	73	3500	1,2	45	5,4	10,9	K36131321_6K1T101
430	116	126	50	66	3400	1,6	50	5,0	7,9	K36131431_6K1T126
520	116	146	50	62	3400	1,8	55	4,9	6,5	K36131521_6K1T146
540	116	161	50	98	6800	1,0	40	3,6	12,6	K36131541_6K1T161
630	116	180	50	92	6800	1,2	45	3,4	10,8	K36131631_6K1T180
820	116	230	50	100	10000	0,9	50	2,7	12,2	K36131821_6K1T230
1500	136	270	50	100	14000	1,0	60	2,0	9,3	K36131152_6K1U270

**RATED  
VOLTAGE  
1300VDC**

## K36 TYPE STANDARD RATINGS

Cap Value μF	Dimensions (mm)			I <sub>rms</sub> 10KHz A(50°C)	Peak Current A	ESR 1KHz mΩ	ESL nH	Thermal Res °C/W	dv/dt V/us	PART NUMBER
	D	H1	P							
100	75	101	32	44	1250	3,1	45	5,6	12,5	K36141101_6K1J101
140	75	126	32	43	1300	4,0	50	4,7	9,3	K36141141_6K1J126
170	75	146	32	40	1300	4,6	55	4,6	7,6	K36141171_6K1J146
170	75	161	32	59	2500	2,3	40	4,3	14,7	K36141171_6K1J161
200	75	180	32	58	2500	2,4	45	4,2	12,5	K36141201_6K1J180
140	86	101	32	53	1800	2,4	45	5,1	12,9	K36141141_6K1Q101
190	86	126	32	49	1800	3,1	50	4,7	9,5	K36141191_6K1Q126
230	86	142	32	51	1800	2,9	55	4,6	7,8	K36141231_6K1Q142
240	86	161	32	64	3500	1,9	40	4,4	14,6	K36141241_6K1Q161
270	86	180	32	62	3400	2,1	45	4,3	12,6	K36141271_6K1Q180
420	86	260	32	70	5200	1,5	55	3,0	12,4	K36141421_6K1Q260
180	96	101	50	59	2250	1,8	45	4,7	12,5	K36141181_6K1R101
250	96	126	50	58	2300	2,2	50	4,1	9,2	K36141251_6K1R126
290	96	141	50	57	2300	2,4	55	3,9	7,9	K36141291_6K1R141
320	96	161	50	70	4600	1,2	40	3,5	14,4	K36141321_6K1R161
360	96	180	50	70	4500	1,3	45	3,2	12,5	K36141361_6K1R180
260	116	101	50	70	3200	1,3	45	5,4	12,3	K36141261_6K1T101
360	116	126	50	62	3200	1,8	50	5,0	8,9	K36141361_6K1T126
450	116	146	50	59	3400	2,0	55	4,9	7,6	K36141451_6K1T146
460	116	161	50	94	6500	1,1	40	3,6	14,1	K36141461_6K1T161
540	116	180	50	79	6700	1,3	45	3,4	12,4	K36141541_6K1T180
700	116	230	50	94	9900	0,9	50	2,7	14,1	K36141701_6K1T230
1300	116	270	50	100	14000	1,0	60	2,0	10,8	K36141132_6K1T270

**RATED  
VOLTAGE  
1400VDC**

## K36 TYPE STANDARD RATINGS

**RATED  
VOLTAGE  
1500VDC**

Cap Value μF	Dimensions (mm)			I <sub>rms</sub> 10KHz A(50°C)	Peak Current A	ESR 1KHz mΩ	ESL nH	Thermal Res °C/W	dv/dt V/us	PART NUMBER
	D	H1	P							
90	75	101	32	43	1200	3,3	45	5,6	13,3	K36151900_6K1J101
120	75	126	32	41	1200	4,4	50	4,7	10,0	K36151121_6K1J126
150	75	146	32	39	1200	4,9	55	4,6	8,0	K36151151_6K1J146
150	75	161	32	58	2300	2,4	40	4,3	15,3	K36151151_6K1J161
170	75	180	32	57	2300	2,5	45	4,2	13,5	K36151171_6K1J180
120	86	101	32	51	1600	2,6	45	5,1	13,3	K36151121_6K1Q101
170	86	126	32	47	1600	3,3	50	4,7	9,4	K36151171_6K1Q126
200	86	142	32	50	1700	3,0	55	4,6	8,5	K36151201_6K1Q142
210	86	161	32	63	3300	2,0	40	4,4	15,7	K36151211_6K1Q161
240	86	180	32	62	3300	2,1	45	4,3	13,8	K36151241_6K1Q180
380	86	260	32	70	5000	1,5	55	3,0	13,2	K36151381_6K1Q260
160	96	101	50	58	2150	1,9	45	4,7	13,4	K36151161_6K1R101
210	96	126	50	56	2100	2,3	50	4,1	10,0	K36151211_6K1R126
250	96	141	50	55	2100	2,5	55	3,9	8,4	K36151251_6K1R141
270	96	161	50	70	4300	1,3	40	3,5	15,9	K36151271_6K1R161
320	96	180	50	70	4300	1,3	45	3,2	13,4	K36151321_6K1R180
230	116	101	50	68	3100	1,4	45	5,4	13,5	K36151231_6K1T101
320	116	126	50	60	3100	1,9	50	5,0	9,7	K36151321_6K1T126
390	116	146	50	58	3200	2,1	55	4,9	8,2	K36151391_6K1T146
420	116	161	50	94	6500	1,1	40	3,6	15,5	K36151421_6K1T161
470	116	180	50	79	6300	1,3	45	3,4	13,4	K36151471_6K1T180
600	116	230	50	89	9200	1,0	50	2,7	15,3	K36151601_6K1T230
1100	136	270	50	100	12800	1,1	60	2,0	11,6	K36151112_6K1U270

**RATED  
VOLTAGE  
2000VDC**

Cap Value μF	Dimensions (mm)			I <sub>rms</sub> 10KHz A(50°C)	Peak Current A	ESR 1KHz mΩ	ESL nH	Thermal Res °C/W	dv/dt V/us	PART NUMBER
	D	H1	P							
110	86	146	32	42	1800	3,5	60	4,5	16,4	K36201111_6K1Q146
200	86	230	32	69	3600	1,8	60	3,2	18,0	K36201201_6K1Q230
200	116	126	50	61	3600	2,1	60	3,5	18,0	K36201201_6K1T126
220	116	146	50	60	3600	2,3	65	3,3	16,4	K36201221_6K1T146
280	116	180	50	93	7400	1,1	55	2,9	26,4	K36201281_6K1T180
400	116	230	50	93	7400	1,3	60	2,4	18,5	K36201401_6K1T230
250	136	126	50	67	5000	1,8	60	2,9	20,0	K36201251_6K1U126
320	136	146	50	66	5000	2,0	65	2,7	15,6	K36201321_6K1U146
360	136	180	50	99	10000	1,0	55	2,4	27,8	K36201361_6K1U180
500	136	230	50	98	10000	1,2	60	2,1	20,0	K36201501_6K1U230
620	136	270	50	98	10000	1,3	60	1,9	16,1	K36201621_6K1U270

## K36 TYPE STANDARD RATINGS

**RATED  
VOLTAGE  
2200VDC**

Cap Value μF	Dimensions (mm)			I <sub>rms</sub> 10KHz A(50°C)	Peak Current A	ESR 1KHz mΩ	ESL nH	Thermal Res °C/W	dv/dt V/us	PART NUMBER
	D	H1	P							
100	86	146	32	41	1800	3,7	65	4,5	18,0	K36221101_6K1Q146
150	86	230	32	68	3600	1,9	60	3,2	24,0	K36221151_6K1Q230
150	116	126	50	59	3400	2,2	60	3,5	22,7	K36221151_6K1T126
180	116	146	50	58	3400	2,5	65	3,3	18,9	K36221181_6K1T146
220	116	180	50	91	7200	1,1	55	2,9	32,7	K36221221_6K1T180
300	116	230	50	91	7100	1,4	60	2,4	23,7	K36221301_6K1T230
220	136	126	50	66	4800	1,9	60	2,9	21,8	K36221221_6K1U126
250	136	146	50	65	5000	2,1	65	2,7	20,0	K36221251_6K1U146
300	136	180	50	97	9800	1,0	55	2,4	32,7	K36221301_6K1U180
420	136	230	50	96	9800	1,2	60	2,1	23,3	K36221421_6K1U230
500	136	270	50	97	10000	1,4	60	1,9	20,0	K36221501_6K1U270

**RATED  
VOLTAGE  
2400VDC**

Cap Value μF	Dimensions (mm)			I <sub>rms</sub> 10KHz A(50°C)	Peak Current A	ESR 1KHz mΩ	ESL nH	Thermal Res °C/W	dv/dt V/us	PART NUMBER
	D	H1	P							
75	86	146	32	40	1800	3,9	65	4,5	24,0	K36241750_6K1Q146
120	86	230	32	65	3500	2,0	60	3,2	29,2	K36241121_6K1Q230
120	116	126	50	58	3500	2,3	60	3,5	29,2	K36241121_6K1T126
140	116	146	50	56	3300	2,6	65	3,3	23,6	K36241141_6K1T146
170	116	180	50	89	6800	1,2	55	2,9	40,0	K36241171_6K1T180
240	116	230	50	89	6900	1,4	60	2,4	28,8	K36241241_6K1T230
160	136	126	50	63	4600	2,0	60	2,9	28,8	K36241161_6K1U126
200	136	146	50	63	4700	2,2	65	2,7	23,5	K36241201_6K1U146
240	136	180	50	95	9600	1,1	55	2,4	40,0	K36241241_6K1U180
330	136	230	50	94	9600	1,3	60	2,1	29,1	K36241331_6K1U230
410	136	270	50	95	9600	1,4	60	1,9	23,4	K36241411_6K1U270

**RATED  
VOLTAGE  
2600VDC**

Cap Value μF	Dimensions (mm)			I <sub>rms</sub> 10KHz A(50°C)	Peak Current A	ESR 1KHz mΩ	ESL nH	Thermal Res °C/W	dv/dt V/us	PART NUMBER
	D	H1	P							
63	86	146	32	38	1700	4,1	65	4,5	27,0	K36261630_6K1Q146
100	86	230	32	63	3400	2,1	60	3,2	34,0	K36261101_6K1Q230
100	116	126	50	57	3400	2,4	60	3,6	34,0	K36261101_6K1T126
120	116	146	50	55	3300	2,7	65	3,3	27,5	K36261121_6K1T146
140	116	180	50	87	6600	1,2	55	2,9	47,1	K36261141_6K1T180
200	116	230	50	87	6700	1,5	60	2,5	33,5	K36261201_6K1T230
140	136	126	50	63	4700	2,0	60	3,0	33,6	K36261141_6K1U126
170	136	146	50	62	4700	2,3	65	2,8	27,6	K36261171_6K1U146
200	136	180	50	94	9400	1,1	55	2,5	47,0	K36261201_6K1U180
280	136	230	50	93	9600	1,3	60	2,1	34,3	K36261281_6K1U230
340	136	270	50	92	9400	1,5	60	1,9	27,6	K36261341_6K1U270

## K36 TYPE STANDARD RATINGS

**RATED  
VOLTAGE  
2800VDC**

Cap Value μF	Dimensions (mm)			I <sub>rms</sub> 10KHz A(50°C)	Peak Current A	ESR 1KHz mΩ	ESL nH	Thermal Res °C/W	dv/dt V/us	PART NUMBER
	D	H1	P							
54	86	146	32	37	1700	4,3	65	4,5	31,5	K36281540_6K1Q146
88	86	230	32	62	3400	2,2	60	3,2	38,6	K36281880_6K1Q230
88	116	126	50	56	3300	2,5	60	3,6	37,5	K36281880_6K1T126
100	116	146	50	53	3200	2,9	65	3,4	32,0	K36281101_6K1T146
120	116	180	50	85	6500	1,3	55	2,9	54,2	K36281121_6K1T180
180	116	230	50	85	6600	1,5	60	2,5	36,7	K36281181_6K1T230
120	136	126	50	62	4700	2,1	60	3,0	39,2	K36281121_6K1U126
140	136	146	50	59	4400	2,4	65	2,8	31,4	K36281141_6K1U146
170	136	180	50	92	9200	1,1	55	2,5	54,1	K36281171_6K1U180
240	136	230	50	92	9300	1,3	60	2,1	38,8	K36281241_6K1U230
290	136	270	50	91	9200	1,5	60	1,9	31,7	K36281291_6K1U270

**RATED  
VOLTAGE  
3000VDC**

Cap Value μF	Dimensions (mm)			I <sub>rms</sub> 10KHz A(50°C)	Peak Current A	ESR 1KHz mΩ	ESL nH	Thermal Res °C/W	dv/dt V/us	PART NUMBER
	D	H1	P							
46	86	146	32	36	1600	4,6	65	4,6	34,8	K36301460_6K1Q146
75	86	230	32	61	3100	2,3	60	3,2	41,3	K36301750_6K1Q230
75	116	126	50	54	3100	2,6	60	3,6	41,3	K36301750_6K1T126
90	116	146	50	53	3100	2,9	65	3,3	34,4	K36301900_6K1T146
100	116	180	50	83	5800	1,3	55	3,0	58,0	K36301101_6K1T180
140	116	230	50	82	5800	1,6	60	2,5	41,4	K36301141_6K1T230
100	136	126	50	60	4200	2,2	60	3,0	42,0	K36301101_6K1U126
120	136	146	50	58	4100	2,5	65	2,8	34,2	K36301121_6K1U146
140	136	180	50	89	8200	1,2	55	2,5	58,6	K36301141_6K1U180
200	136	230	50	89	8400	1,4	60	2,2	42,0	K36301201_6K1U230
250	136	270	50	89	8600	1,6	60	1,9	34,4	K36301251_6K1U270

**RATED  
VOLTAGE  
3200VDC**

Cap Value μF	Dimensions (mm)			I <sub>rms</sub> 10KHz A(50°C)	Peak Current A	ESR 1KHz mΩ	ESL nH	Thermal Res °C/W	dv/dt V/us	PART NUMBER
	D	H1	P							
40	86	146	32	35	1500	4,9	65	4,6	37,5	K36321400_6K1Q146
65	86	230	32	59	2900	2,4	60	3,2	44,6	K36321650_6K1Q230
65	116	126	50	53	2900	2,7	60	3,6	44,6	K36321650_6K1T126
80	116	146	50	52	2900	3,1	65	3,4	36,3	K36321800_6K1T146
92	116	180	50	83	5700	1,3	55	3,0	62,0	K36321920_6K1T180
120	116	230	50	80	5400	1,7	60	2,5	45,0	K36321121_6K1T230
90	136	126	50	59	4000	2,2	60	3,0	44,4	K36321900_6K1U126
110	136	146	50	58	4000	2,5	65	2,8	36,4	K36321111_6K1U146
120	136	180	50	87	7500	1,2	55	2,6	62,5	K36321121_6K1U180
180	136	230	50	89	8100	1,4	60	2,2	45,0	K36321181_6K1U230
220	136	270	50	88	8100	1,6	60	1,9	36,8	K36321221_6K1U270

## K36 TYPE STANDARD RATINGS

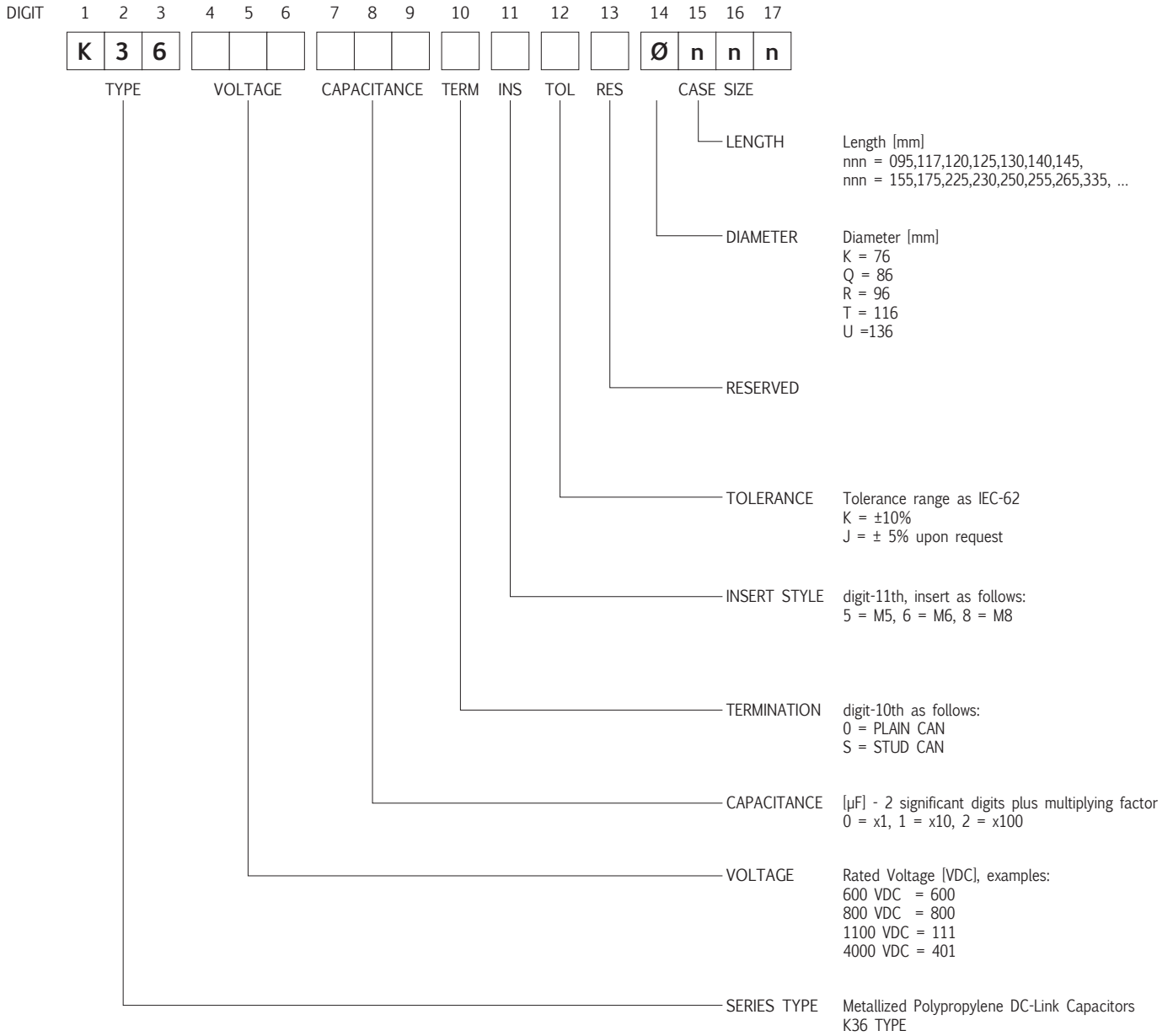
Cap Value μF	Dimensions (mm)			I <sub>rms</sub> 10KHz A(50°C)	Peak Current A	ESR 1KHz mΩ	ESL nH	Thermal Res °C/W	dv/dt V/us	PART NUMBER
	D	H1	P							
32	86	146	32	38	1600	4,0	65	4,6	50,0	K36361320_6K1Q146
45	86	230	32	64	3300	2,0	60	3,3	73,3	K36361450_6K1Q230
44	116	126	50	57	3200	2,3	60	3,7	72,7	K36361440_6K1T126
54	116	146	50	55	3200	2,7	65	3,4	59,3	K36361540_6K1T146
88	116	230	50	87	6400	1,4	60	2,5	72,7	K36361880_6K1T230
110	116	270	50	85	6500	1,6	60	2,3	59,1	K36361111_6K1T270
61	136	126	50	63	4500	2,0	60	3,0	73,8	K36361610_6K1U126
75	136	146	50	61	4400	2,3	65	2,8	58,7	K36361750_6K1U146
120	136	230	50	92	8800	1,3	60	2,2	73,3	K36361121_6K1U230
150	136	270	50	92	8800	1,5	60	2,0	58,7	K36361151_6K1U270

**RATED  
VOLTAGE  
3600VDC**

Cap Value μF	Dimensions (mm)			I <sub>rms</sub> 10KHz A(50°C)	Peak Current A	ESR 1KHz mΩ	ESL nH	Thermal Res °C/W	dv/dt V/us	PART NUMBER
	D	H1	P							
24	86	146	32	37	1650	4,2	65	4,6	68,8	K36401240_6K1Q146
38	86	230	32	62	3200	2,1	60	3,3	84,2	K36401380_6K1Q230
37	116	126	50	55	3100	2,4	60	3,7	83,8	K36401370_6K1T126
46	116	146	50	54	3100	2,8	65	3,4	67,4	K36401460_6K1T146
74	116	230	50	85	6300	1,5	60	2,5	85,1	K36401740_6K1T230
92	116	270	50	83	6300	1,7	60	2,3	68,5	K36401920_6K1T270
52	136	126	50	62	4400	2,1	60	3,0	84,6	K36401520_6K1U126
64	136	146	50	60	4400	2,3	65	2,8	68,8	K36401640_6K1U146
100	136	230	50	90	8500	1,3	60	2,2	85,0	K36401101_6K1U230

**RATED  
VOLTAGE  
4000VDC**

# PART NUMBER SYSTEM FOR METALLIZED POLYPROPYLENE FILM CAPACITORS

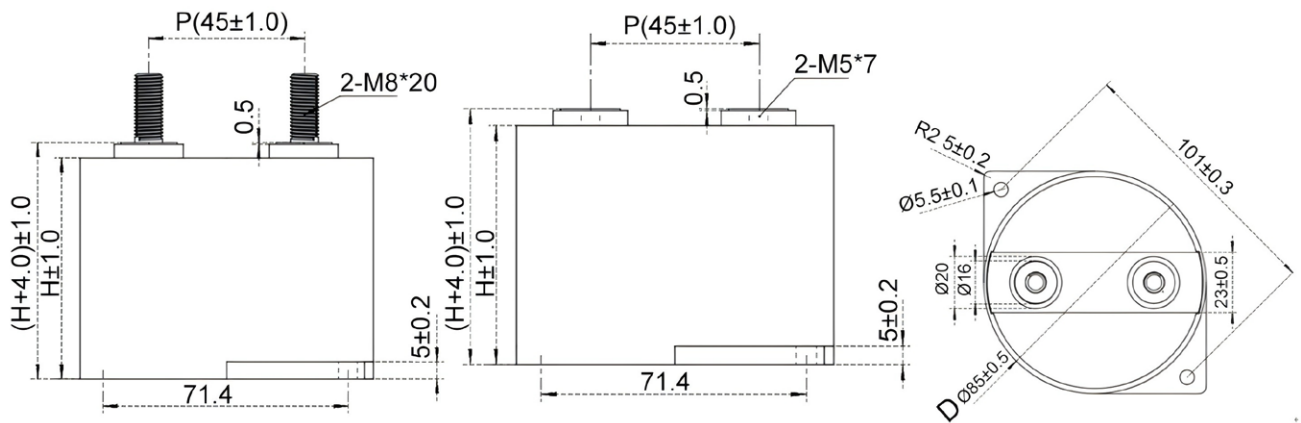


# K37 TYPE -40 +85°C 100000H

## Overview

The K37 capacitor is constructed of metallized polypropylene film in cylindrical plastic case and filled with epoxy resin.

<b>Applications</b>	Widely used in DC Link, high performance DC filtering, motor drive systems, welder, elevator, EV/HEV.
<b>Reference standard</b>	IEC 61071
<b>Construction</b>	Metallized Polypropylene Film
<b>Coating</b>	Cylindrical Plastic Can
<b>Terminals</b>	Tinned Brass Terminals (Lead Free)
<b>Operating temperature range</b>	-40°C to +85°C
<b>Capacitance</b>	50µF to 280µF
<b>Rated Voltage</b>	500 to 1100 VDC
<b>Tolerance</b>	±5% or ±10% at +25°C
<b>Dissipation Factor</b>	≤0.0020 at 1KHz
<b>Life Expectancy</b>	≥100,000 hours at rated voltage and 70°C hotspot
<b>Dielectric strength</b>	1.5 x VR VDC for 10 seconds @ +25°C ± 5°C
<b>Test Voltage terminal to case</b>	4000VAC, 50/60Hz 60s at +25 ± 5°C
<b>Insulation Resistance</b>	IR xC ≥ 10,000 s at 100vdc 1minute at +25°C



## K37 TYPE STANDARD RATINGS

Cap Value	Dimensions (mm)			Irms	Peak	Surge	ESR	ESL	Thermal	dv/dt	PART NUMBER
$\mu\text{F}$	D	H	P	10KHz A(50°C)	Current A	Current A	1KHz $\text{m}\Omega$	nH	Res °C/W	V/us	
150	85	40	45	65	5,250	15,750	1,8	25	4,3	35	K3750015108K1L040
220	85	51	45	65	5,500	16,500	1,8	40	4,8	25	K3750022108K1L051
280	85	64	45	70	5,600	16,800	1,6	40	5,4	20	K3750028108K1L064

**RATED  
VOLTAGE  
500VDC**

Cap Value	Dimensions (mm)			Irms	Peak	Surge	ESR	ESL	Thermal	dv/dt	PART NUMBER
$\mu\text{F}$	D	H	P	10KHz A(50°C)	Current A	Current A	1KHz $\text{m}\Omega$	nH	Res °C/W	V/us	
100	85	40	45	70	3,500	10,500	1,5	25	5,0	35	K3760010108K1L040
150	85	51	45	80	3,750	11,250	1,4	30	6,5	25	K3760015108K1L051
220	85	64	45	90	4,400	13,200	1,5	40	4,5	20	K3760022108K1L064

**RATED  
VOLTAGE  
600VDC**

Cap Value	Dimensions (mm)			Irms	Peak	Surge	ESR	ESL	Thermal	dv/dt	PART NUMBER
$\mu\text{F}$	D	H	P	10KHz A(50°C)	Current A	Current A	1KHz $\text{m}\Omega$	nH	Res °C/W	V/us	
66	85	40	45	70	2,310	6,930	2,0	25	5,0	35	K3780066008K1L040
100	85	51	45	75	2,500	7,500	1,8	30	5,0	25	K3780010108K1L051
140	85	64	45	80	2,800	8,400	1,6	40	8,4	20	K3780014108K1L064
220	85	64	45	100	4,400	13,200	1,4	40	4,8	20	K3780022108K1L064

**RATED  
VOLTAGE  
800VDC**

Cap Value	Dimensions (mm)			Irms	Peak	Surge	ESR	ESL	Thermal	dv/dt	PART NUMBER
$\mu\text{F}$	D	H	P	10KHz A(50°C)	Current A	Current A	1KHz $\text{m}\Omega$	nH	Res °C/W	V/us	
66	85	40	45	70	2,310	6,930	1,0	25	4,2	35	K3710166008K1L040
120	85	51	45	85	3,000	9,000	2,2	30	5,2	25	K3710112108K1L051
140	85	64	45	100	2,800	8,400	1,5	40	3,1	20	K3710114108K1L064

**RATED  
VOLTAGE  
1000VDC**

Cap Value	Dimensions (mm)			Irms	Peak	Surge	ESR	ESL	Thermal	dv/dt	PART NUMBER
$\mu\text{F}$	D	H	P	10KHz A(50°C)	Current A	Current A	1KHz $\text{m}\Omega$	nH	Res °C/W	V/us	
50	85	40	45	55	1,750	5,250	2,4	30	4,5	35	K3711150008K1L040
100	85	51	45	55	2,500	7,500	2,0	30	4,5	25	K3711110108K1L051

**RATED  
VOLTAGE  
1100VDC**

## K37 TYPE STANDARD RATINGS

Cap Value	Dimensions (mm)			Irms	Peak	Surge	ESR	ESL	Thermal	dv/dt	PART NUMBER
$\mu\text{F}$	D	H	P	10KHz A(50°C)	Current A	Current A	1KHz $\text{m}\Omega$	nH	Res °C/W	V/us	
150	85	40	45	65,0	5,250	15,750	1,8	25	4,3	35	K3750015105K1L040
220	85	51	45	65,0	5,500	16,500	1,8	40	4,8	25	K3750022105K1L051
280	85	64	45	70,0	5,600	16,800	1,6	40	5,4	20	K3750028105K1L064

**RATED  
VOLTAGE  
500VDC**

Cap Value	Dimensions (mm)			Irms	Peak	Surge	ESR	ESL	Thermal	dv/dt	PART NUMBER
$\mu\text{F}$	D	H	P	10KHz A(50°C)	Current A	Current A	1KHz $\text{m}\Omega$	nH	Res °C/W	V/us	
100	85	40	45	70,0	3,500	10,500	1,5	25	5,0	35	K3760010105K1L040
150	85	51	45	80,0	3,750	11,250	1,4	30	6,5	25	K3760015105K1L051
220	85	64	45	90,0	4,400	13,200	1,5	40	4,5	20	K3760022105K1L064

**RATED  
VOLTAGE  
600VDC**

Cap Value	Dimensions (mm)			Irms	Peak	Surge	ESR	ESL	Thermal	dv/dt	PART NUMBER
$\mu\text{F}$	D	H	P	10KHz A(50°C)	Current A	Current A	1KHz $\text{m}\Omega$	nH	Res °C/W	V/us	
66	85	40	45	70,0	2,310	6,930	2,0	25	5,0	35	K3780066005K1L040
100	85	51	45	75,0	2,500	7,500	1,8	30	5,0	25	K3780010105K1L051
140	85	64	45	80,0	2,800	8,400	1,6	40	8,4	20	K3780014105K1L064
220	85	64	45	100,0	4,400	13,200	1,4	40	4,8	20	K3780022105K1L064

**RATED  
VOLTAGE  
800VDC**

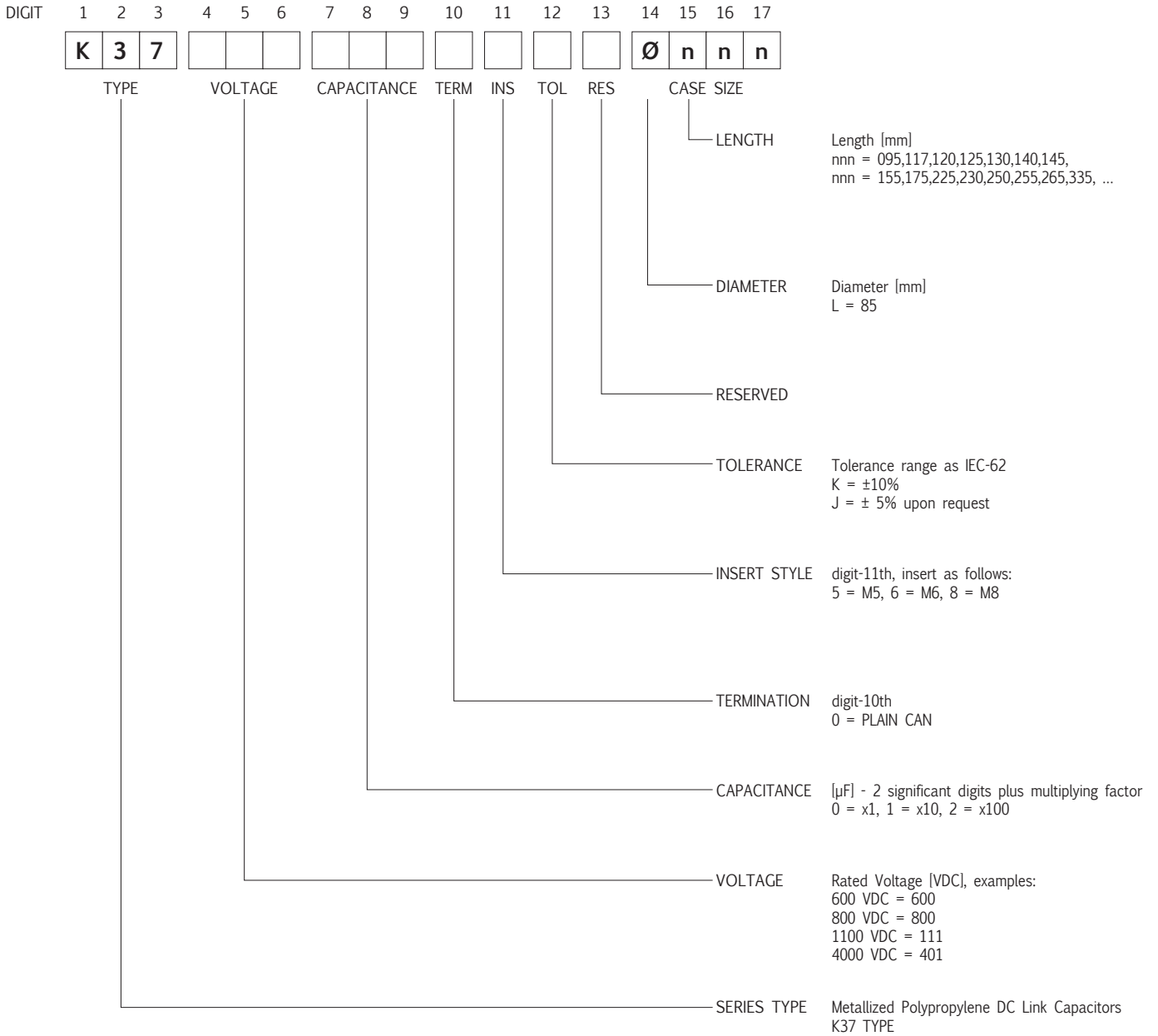
Cap Value	Dimensions (mm)			Irms	Peak	Surge	ESR	ESL	Thermal	dv/dt	PART NUMBER
$\mu\text{F}$	D	H	P	10KHz A(50°C)	Current A	Current A	1KHz $\text{m}\Omega$	nH	Res °C/W	V/us	
66	85	40	45	70,0	2,310	6,930	1,0	25	4,2	35	K3710166005K1L040
120	85	51	45	85,0	3,000	9,000	2,2	30	5,2	25	K3710112105K1L051
140	85	64	45	100,0	2,800	8,400	1,5	40	3,1	20	K3710114105K1L064

**RATED  
VOLTAGE  
1000VDC**

Cap Value	Dimensions (mm)			Irms	Peak	Surge	ESR	ESL	Thermal	dv/dt	PART NUMBER
$\mu\text{F}$	D	H	P	10KHz A(50°C)	Current A	Current A	1KHz $\text{m}\Omega$	nH	Res °C/W	V/us	
50	85	40	45	55,0	1,750	5,250	2,4	30	4,5	35	K3711150005K1L040
100	85	51	45	55,0	2,500	7,500	2,0	30	4,5	25	K3711110105K1L051

**RATED  
VOLTAGE  
1100VDC**

# PART NUMBER SYSTEM FOR METALLIZED POLYPROPYLENE FILM CAPACITORS

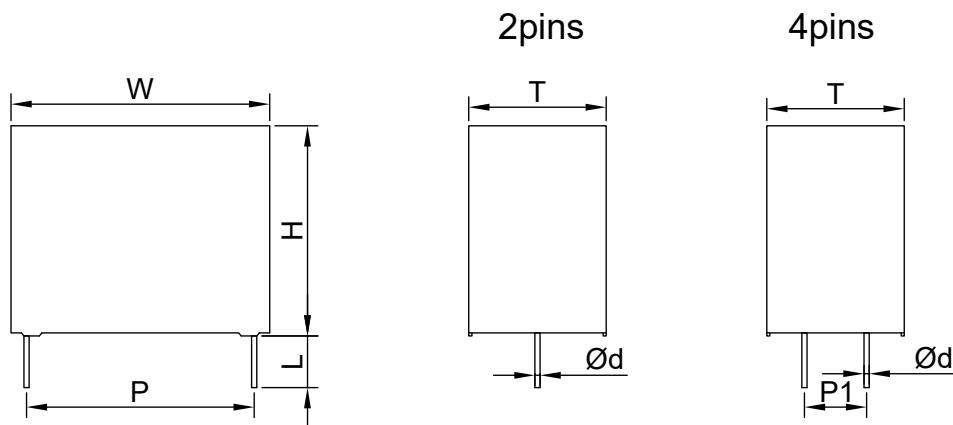


# KE2 TYPE -40 +105°C 100000H

## Overview

The KE2 series is a miniaturized metallized polypropylene film capacitor constructed with epoxy resin in a plastic box, with 2 or 4 tinned copper wire. This KE2 series is suitable for high performance DC filtering applications.

<b>Applications</b>	Widely used in high performance DC Link, DC filtering, frequency converters, industrial power supply, solar inverter and energy storage. Not suitable for across the line application.
<b>Reference standard</b>	IEC 61071
<b>Construction</b>	Metallized Polypropylene Film
<b>Coating</b>	Plastic Box
<b>Terminals</b>	Tinned Copper Terminal Wires
<b>Operating temperature range</b>	-40°C to +105°C
<b>Capacitance</b>	1.0µF to 220µF
<b>Rated Voltage</b>	500 to 1200 VDC
<b>Tolerance</b>	±5% or ±10% at +25°C
<b>Dissipation Factor</b>	≤0.002 (0.2%) at 1KHz; C ≤20µF at 25°C ≤0.003 (0.3%) at 1KHz; C >20µF at 25°C ≤0.004 (0.4%) at 1KHz; C >80µF at 25°C
<b>Life Expectancy</b>	Symbol Voltage (VDC)
<b>Life Expectancy</b>	V <sub>NDC</sub> 500 550 700 800 900 1000 1100 1200
<b>Life Expectancy</b>	V <sub>OP105</sub> 365 402 511 584 657 730 803 876
<b>Life Expectancy</b>	100,000 hours (V <sub>NDC</sub> , Θ <sub>hotspot</sub> = 85°C) 40,000 hours (V <sub>OP105</sub> , Θ <sub>hotspot</sub> = 105°C) 500 hours (0.6 x V <sub>NDC</sub> , Θ <sub>hotspot</sub> = 115°C) 200 hours (0.5 x V <sub>NDC</sub> , Θ <sub>hotspot</sub> = 125°C)
<b>Dielectric strength</b>	1.5 x VR VDC for 10 seconds @ +25°C ± 5°C
<b>Test Voltage terminal to case</b>	3000VAC, 50/60Hz 60s (at +25 ± 5°C)
<b>Insulation Resistance</b>	IR x C ≥ 30,000 s at 100Vdc 1minute at +25°C



## KE2 TYPE STANDARD RATINGS

RATED  
VOLTAGE  
500VDC

Cap Value μF	Dimensions (mm)					I <sub>rms</sub> Max 75°C A(10KHz)	Peak Current A	Surge Current A	ESR <sup>Typical</sup> 10KHz mΩ	ESL nH	Thermal Res °C/W	dv/dt V/us	Lead Wire mm	PART NUMBER
	W	H	T	P	P1									
3,3	32	18	9	27,5	/	4,7	215	644	22,1	12	41,7	65	0,8	KE25003D32PK10BHL
4	32	18	9	27,5	/	5,1	260	780	18,2	12	41,7	65	0,8	KE25004D02PK10BHL
5	32	20	11	27,5	/	6,2	325	975	14,6	14	35,7	65	0,8	KE25005D02PK10BHL
6	32	20	11	27,5	/	6,8	390	1170	12,1	14	35,7	65	0,8	KE25006D02PK10BHL
7	32	22	13	27,5	/	7,6	455	1365	10,4	15	33,3	65	0,8	KE25007D02PK10BHL
8	32	22	13	27,5	/	8,1	520	1560	9,1	15	33,3	65	0,8	KE25008D02PK10BHL
10	32	24,5	13	27,5	/	9,4	650	1950	7,3	16	31,3	65	0,8	KE25001002PK10BHL
12	32	28	14	27,5	/	10,9	780	2340	6,1	18	27,8	65	0,8	KE25001202PK10BHL
13	32	28	14	27,5	/	11,3	845	2535	5,6	18	27,8	65	0,8	KE25001302PK10BHL
14	32	30	16	27,5	/	12,1	910	2730	5,2	18	26,3	65	0,8	KE25001402PK10BHL
15	32	30	16	27,5	/	12,5	975	2925	4,9	18	26,3	65	0,8	KE25001502PK10BHL
15	32	28	18	27,5	/	12,7	975	2925	5,2	19	23,8	65	0,8	KE25001502PK11BHL
16	32	28	18	27,5	/	13,6	1040	3120	4,6	19	23,8	65	0,8	KE25001602PK10BHL
18	32	33	18	27,5	/	14,6	1170	3510	4,3	21	21,7	65	0,8	KE25001802PK10BHL
20	32	33	18	27,5	/	15,4	1300	3900	3,9	21	21,7	65	0,8	KE25002002PK10BHL
22	32	37	22	27,5	/	16,5	1430	4290	4,3	23	17,2	65	0,8	KE25002202PK10BHL
25	32	37	22	27,5	/	17,6	1625	4875	3,7	23	17,2	65	0,8	KE25002502PK10BHL
28	32	37	22	27,5	/	18,6	1820	5460	3,3	23	17,2	65	0,8	KE25002802PK10BHL
20	42	28	17	37,5	/	10,9	700	2100	8,4	12	20,0	35	1,0	KE25002002PK11BHL
25	42	32	19	37,5	/	12,9	875	2625	6,8	13	17,9	35	1,0	KE25002502PK11BHL
30	42	37	22	37,5	10,2	15,8	1050	3150	5,6	14	14,3	35	1,2	KE25003004PK10BHL
35	42	37	22	37,5	10,2	17,0	1225	3675	4,8	14	14,3	35	1,2	KE25003504PK10BHL
40	42	40	20	37,5	10,2	18,5	1400	4200	4,2	14	13,9	35	1,2	KE25004004PK10BHL
40	42	37	22	37,5	10,2	18,2	1400	4200	4,2	14	14,3	35	1,2	KE25004004PK11BHL
50	42	37	28	37,5	10,2	22,0	1750	5250	3,4	15	12,2	35	1,2	KE25005004PK10BHL
55	42	44	24	37,5	10,2	23,1	1925	5775	3,1	15	12,2	35	1,2	KE25005504PK10BHL
60	42	43	28	37,5	10,2	24,6	2100	6300	2,8	16	11,8	35	1,2	KE25006004PK10BHL
65	42	45	30	37,5	20,3	27,7	2275	6825	2,6	16	10,0	35	1,2	KE25006504PK10BHL
70	42	45	30	37,5	20,3	28,8	2450	7350	2,4	16	10,0	35	1,2	KE25007004PK10BHL
80	42	45	35	37,5	20,3	32,3	2800	8400	2,1	17	9,1	35	1,2	KE25008004PK10BHL
90	42	50	35	37,5	20,3	33,5	3150	9450	2,1	17	8,3	35	1,2	KE25009004PK10BHL
110	42	55	40	37,5	20,3	35,2	3850	11550	2,1	18	7,7	35	1,2	KE25001114PK10BHL
110	42	57	38	37,5	20,3	35,2	3850	11550	2,1	18	7,7	35	1,2	KE25001114PK11BHL
120	42	55	40	37,5	20,3	36,8	4200	12600	1,9	18	7,7	35	1,2	KE25001214PK10BHL
140	42	60	45	37,5	20,3	41,2	4900	14700	1,6	20	7,1	35	1,2	KE25001414PK10BHL
80	57,5	45	25	52,5	10,2	21,2	1600	4800	4,9	14	9,1	20	1,2	KE25008004PK11BHL
100	57,5	45	30	52,5	20,3	25,3	2000	6000	3,9	15	8,0	20	1,2	KE25001014PK10BHL
130	57,5	50	35	52,5	20,3	31,1	2600	7800	3,0	17	6,9	20	1,2	KE25001314PK10BHL
160	57,5	60	35	52,5	20,3	36,8	3200	9600	2,4	18	6,1	20	1,2	KE25001614PK10BHL
170	57,5	55	45	52,5	20,3	36,5	3400	10200	2,5	18	6,1	20	1,2	KE25001714PK10BHL
180	57,5	65	35	52,5	20,3	38,6	3600	10800	2,4	18	5,7	20	1,2	KE25001814PK10BHL
180	57,5	55	45	52,5	20,3	39,6	3600	10800	2,4	19	5,4	20	1,2	KE25001814PK11BHL
210	57,5	65	45	52,5	20,3	44,0	4200	12600	2,0	20	5,1	20	1,2	KE25002114PK10BHL
220	57,5	65	45	52,5	20,3	45,0	4400	13200	1,9	20	5,1	20	1,2	KE25002214PK10BHL

## KE2 TYPE STANDARD RATINGS

Cap Value μF	Dimensions (mm)					I <sub>rms</sub> Max 75°C A(10Khz)	Peak Current A	Surge Current A	ESR <sup>Typical</sup> 10KHz mΩ	ESL nH	Thermal Res °C/W	dv/dt V/us	Lead Wire mm	PART NUMBER
	W	H	T	P	P1									
3	32	18	9	27,5	/	4,7	195	585	21,9	12	41,7	65	0,8	KE25503D02PK10BHL
4	32	20	11	27,5	/	5,8	260	780	16,4	14	35,7	65	0,8	KE25504D02PK10BHL
5	32	22	13	27,5	/	6,8	325	975	13,1	15	33,3	65	0,8	KE25505D02PK10BHL
6	32	22	13	27,5	/	7,4	390	1170	10,9	15	33,3	65	0,8	KE25506D02PK10BHL
7	32	24	14	27,5	/	8,5	455	1365	9,4	17	29,4	65	0,8	KE25507D02PK10BHL
8	32	24	14	27,5	/	9,1	520	1560	8,2	17	29,4	65	0,8	KE25508D02PK10BHL
9	32	28	14	27,5	/	9,9	585	1755	7,3	18	27,8	65	0,8	KE25509D02PK10BHL
10	32	28	14	27,5	/	10,5	650	1950	6,6	18	27,8	65	0,8	KE25501002PK10BHL
12	32	30	16	27,5	/	11,8	780	2340	5,5	18	26,3	65	0,8	KE25501202PK10BHL
12	32	28	18	27,5	/	12,4	780	2340	5,5	18	23,8	65	0,8	KE25501202PK11BHL
15	32	33	18	27,5	/	14,5	975	2925	4,4	19	21,7	65	0,8	KE25501502PK10BHL
20	32	37	22	27,5	/	16,6	1300	3900	4,2	19	17,2	65	0,8	KE25502002PK10BHL
22	32	37	22	27,5	/	17,4	1430	4290	3,8	23	17,2	65	0,8	KE25502202PK10BHL
30	42	37	22	37,5	10,2	16,6	1050	3150	5,1	23	14,3	35	1,2	KE25503004PK10BHL
40	42	44	24	37,5	10,2	20,8	1400	4200	3,8	14	12,2	35	1,2	KE25504004PK10BHL
50	42	43	28	37,5	10,2	23,6	1750	5250	3,0	15	11,8	35	1,2	KE25505004PK10BHL
60	42	45	30	37,5	20,3	28,1	2100	6300	2,5	16	10,0	35	1,2	KE25506004PK10BHL
70	42	50	35	37,5	20,3	31,2	2450	7350	2,5	17	8,3	35	1,2	KE25507004PK10BHL
80	42	55	40	37,5	20,3	31,7	2800	8400	2,6	18	7,7	35	1,2	KE25508004PK10BHL
90	42	55	40	37,5	20,3	33,6	3150	9450	2,3	18	7,7	35	1,2	KE25509004PK10BHL
100	42	55	40	37,5	20,3	35,4	3500	10500	2,1	18	7,7	35	1,2	KE25501014PK10BHL
110	42	60	45	37,5	20,3	38,5	3850	11550	1,9	20	7,1	35	1,2	KE25501114PK10BHL
120	42	60	45	37,5	20,3	40,3	4200	12600	1,7	20	7,1	35	1,2	KE25501214PK10BHL
70	57,5	45	25	52,5	10,2	20,9	1400	4200	5,0	14	9,1	20	1,2	KE25507004PK11BHL
80	57,5	45	30	52,5	20,3	23,9	1600	4800	4,4	15	8,0	20	1,2	KE25508004PK11BHL
90	57,5	50	35	52,5	20,3	27,3	1800	5400	3,9	17	6,9	20	1,2	KE25509004PK11BHL
110	57,5	50	35	52,5	20,3	30,1	2200	6600	3,2	17	6,9	20	1,2	KE25501114PK11BHL
130	57,5	60	35	52,5	20,3	34,9	2600	7800	2,7	18	6,1	20	1,2	KE25501314PK10BHL
140	57,5	60	35	52,5	20,3	36,3	2800	8400	2,5	18	6,1	20	1,2	KE25501414PK10BHL
140	57,5	65	35	52,5	20,3	35,8	2800	8400	2,7	18	5,7	20	1,2	KE25501414PK11BHL
140	57,5	55	45	52,5	20,3	36,9	2800	8400	2,7	19	5,4	20	1,2	KE25501414PK12BHL
150	57,5	55	45	52,5	20,3	38,1	3000	9000	2,5	19	5,4	20	1,2	KE25501514PK10BHL
170	57,5	65	45	52,5	20,3	41,7	3400	10200	2,2	20	5,1	20	1,2	KE25501714PK10BHL
190	57,5	65	45	52,5	20,3	44,1	3800	11400	2,0	20	5,1	20	1,2	KE25501914PK10BHL

**RATED  
VOLTAGE  
550VDC**

## KE2 TYPE STANDARD RATINGS

Cap Value μF	Dimensions (mm)					I <sub>rms</sub> Max 75°C A(10KHz)	Peak Current A	Surge Current A	ESR <sup>Typical</sup> 10KHz mΩ	ESL nH	Thermal Res °C/W	dv/dt V/us	Lead Wire mm	PART NUMBER
	W	H	T	P	P1									
2	32	18	9	27,5	/	4,1	130	390	28,1	12	41,7	65	0,8	KE27002D02PK10BHL
3	32	20	11	27,5	/	5,5	195	585	18,7	14	35,7	65	0,8	KE27003D02PK10BHL
3,3	32	20	11	27,5	/	5,7	195	585	17,0	14	35,7	65	0,8	KE27003D32PK10BHL
4	32	20	11	27,5	/	6,3	260	780	14,0	14	35,7	65	0,8	KE27004D02PK10BHL
5	32	22	13	27,5	/	7,3	325	975	11,2	15	33,3	65	0,8	KE27005D02PK10BHL
6	32	24,5	13	27,5	/	8,3	390	1170	9,4	16	31,3	65	0,8	KE27006D02PK10BHL
7	32	24,5	15	27,5	/	9,3	455	1365	8,0	17	28,6	65	0,8	KE27007D02PK10BHL
7	32	28	14	27,5	/	9,5	520	1560	8,0	17	27,8	65	0,8	KE27007D02PK11BHL
8	32	28	14	27,5	/	10,1	520	1560	7,0	17	27,8	65	0,8	KE27008D02PK10BHL
9	32	30	16	27,5	/	11,0	585	1755	6,2	18	26,3	65	0,8	KE27009D02PK10BHL
10	32	28	18	27,5	/	12,2	650	1950	5,6	19	23,8	65	0,8	KE27001002PK10BHL
11	32	33	18	27,5	/	13,4	715	2145	5,1	21	21,7	65	0,8	KE27001102PK10BHL
12	32	33	18	27,5	/	14,0	780	2340	4,7	21	21,7	65	0,8	KE27001202PK10BHL
15	32	37	22	27,5	/	15,5	975	2925	4,8	23	17,2	65	0,8	KE27001502PK10BHL
18	32	37	22	27,5	/	17,0	1170	3510	4,0	23	17,2	65	0,8	KE27001802PK10BHL
15	42	32	19	37,5	/	11,4	525	1575	8,7	13	17,9	35	1,0	KE27001502PK11BHL
22	42	40	20	37,5	10,2	15,6	770	2310	5,9	14	13,9	35	1,2	KE27002204PK10BHL
25	42	40	20	37,5	10,2	16,6	875	2625	5,2	14	13,9	35	1,2	KE27002504PK10BHL
30	42	37	28	37,5	10,2	19,4	1050	3150	4,3	15	12,2	35	1,2	KE27003004PK10BHL
33	42	44	24	37,5	10,2	20,4	1155	3465	4,0	15	12,2	35	1,2	KE27003304PK10BHL
40	42	45	30	37,5	20,3	24,8	1400	4200	3,3	16	10,0	35	1,2	KE27004004PK10BHL
45	42	45	35	37,5	20,3	27,6	1575	4725	2,9	17	9,1	35	1,2	KE27004504PK10BHL
50	42	50	35	37,5	20,3	28,5	1750	5250	3,0	17	8,3	35	1,2	KE27005004PK10BHL
60	42	55	40	37,5	20,3	29,6	2100	6300	3,0	18	7,7	35	1,2	KE27006004PK10BHL
66	42	57	38	37,5	20,3	31,1	2100	6300	2,7	18	7,7	35	1,2	KE27006604PK10BHL
70	42	55	40	37,5	20,3	32,0	2450	7350	2,5	18	7,7	35	1,2	KE27007004PK10BHL
75	42	60	45	37,5	20,3	34,4	2625	7875	2,4	20	7,1	35	1,2	KE27007504PK10BHL
80	42	60	45	37,5	20,3	35,5	2800	8400	2,2	20	7,1	35	1,2	KE27008004PK10BHL
85	42	60	45	37,5	20,3	36,6	2975	8925	2,1	20	7,1	35	1,2	KE27008504PK10BHL
45	57,5	45	25	52,5	10,2	18,1	900	2700	6,7	14	9,1	20	1,2	KE27004504PK11BHL
50	57,5	45	25	52,5	10,2	19,1	1000	3000	6,0	14	9,1	20	1,2	KE27005004PK11BHL
55	57,5	45	30	52,5	20,3	21,4	1100	3300	5,5	15	8,0	20	1,2	KE27005504PK10BHL
60	57,5	45	30	52,5	20,3	22,3	1200	3600	5,0	15	8,0	20	1,2	KE27006004PK11BHL
65	57,5	50	35	52,5	20,3	25,0	1300	3900	4,6	17	6,9	20	1,2	KE27006504PK10BHL
70	57,5	50	35	52,5	20,3	26,0	1400	4200	4,3	17	6,9	20	1,2	KE27007004PK11BHL
75	57,5	50	35	52,5	20,3	26,9	1500	4500	4,0	17	6,9	20	1,2	KE27007504PK11BHL
80	57,5	50	35	52,5	20,3	27,8	1600	4800	3,8	17	6,9	20	1,2	KE27008004PK11BHL
90	57,5	60	35	52,5	20,3	31,4	1800	5400	3,3	18	6,1	20	1,2	KE27009004PK10BHL
100	57,5	60	35	52,5	20,3	33,1	2000	6000	3,0	18	6,1	20	1,2	KE27001014PK10BHL
110	57,5	65	35	52,5	20,3	34,3	2200	6600	3,0	18	5,7	20	1,2	KE27001114PK10BHL
110	57,5	55	45	52,5	20,3	35,3	2200	6600	3,0	19	5,4	20	1,2	KE27001114PK11BHL
130	57,5	65	45	52,5	20,3	39,4	2600	7800	2,5	20	5,1	20	1,2	KE27001314PK10BHL

RATED  
VOLTAGE  
700VDC

## KE2 TYPE STANDARD RATINGS

RATED  
VOLTAGE  
800VDC

Cap Value μF	Dimensions (mm)					P1	I <sub>rms</sub> Max 75°C A(10KHz)	Peak Current A	Surge Current A	ESR <sup>Typical</sup> 10KHz mΩ	ESL nH	Thermal Res °C/W	dv/dt V/us	Lead Wire mm	PART NUMBER
	W	H	T	P	P1										
2	32	18	9	27,5	/		4,4	130	390	24,6	12	41,7	65	0,8	KE28002D02PK10BHL
2,7	32	20	11	27,5	/		5,5	195	585	18,2	14	35,7	65	0,8	KE28002D72PK10BHL
3	32	20	11	27,5	/		5,8	195	585	16,4	14	35,7	65	0,8	KE28003D02PK10BHL
4	32	24,5	13	27,5	/		7,2	260	780	12,3	16	31,3	65	0,8	KE28004D02PK10BHL
5	32	24	14	27,5	/		8,3	325	975	9,8	17	29,4	65	0,8	KE28005D02PK10BHL
5	32	28	14	27,5	/		8,6	325	975	9,8	17	27,8	65	0,8	KE28005D02PK11BHL
5	32	24,5	15	27,5	/		8,4	325	975	9,8	17	28,6	65	0,8	KE28005D02PK12BHL
6	32	30	16	27,5	/		9,6	390	1170	8,2	18	26,3	65	0,8	KE28006D02PK10BHL
6,5	32	30	16	27,5	/		10,0	390	1170	7,6	18	26,3	65	0,8	KE28006D52PK10BHL
7	32	30	16	27,5	/		10,4	455	1365	7,0	18	26,3	65	0,8	KE28007D02PK10BHL
8	32	28	18	27,5	/		11,7	520	1560	6,1	19	23,8	65	0,8	KE28008D02PK10BHL
8,5	32	33	18	27,5	/		12,6	585	1755	5,8	21	21,7	65	0,8	KE28008D52PK10BHL
9	32	33	18	27,5	/		13,0	585	1755	5,5	21	21,7	65	0,8	KE28009D02PK10BHL
10	32	33	18	27,5	/		13,7	650	1950	4,9	21	21,7	65	0,8	KE28001002PK10BHL
12	32	37	22	27,5	/		14,8	780	2340	5,3	23	17,2	65	0,8	KE28001202PK10BHL
14	32	37	22	27,5	/		16,0	910	2730	4,5	23	17,2	65	0,8	KE28001402PK10BHL
14	42	32	19	37,5	/		11,7	490	1470	8,1	13	17,9	35	1,0	KE28001402PK11BHL
15	42	40	20	37,5	10,2		13,8	525	1575	7,6	14	13,9	35	1,2	KE28001504PK10BHL
20	42	37	28	37,5	10,2		17,0	700	2100	5,7	15	12,2	35	1,2	KE28002004PK10BHL
22	42	37	28	37,5	10,2		17,8	770	2310	5,2	15	12,2	35	1,2	KE28002204PK10BHL
24	42	44	24	37,5	10,2		18,6	875	2625	4,8	15	12,2	35	1,2	KE28002404PK10BHL
25	42	44	24	37,5	10,2		19,0	875	2625	4,6	15	12,2	35	1,2	KE28002504PK10BHL
25	42	43	28	37,5	10,2		19,3	875	2625	4,6	16	11,8	35	1,2	KE28002504PK11BHL
30	42	45	30	37,5	20,3		22,9	1050	3150	3,8	16	10,0	35	1,2	KE28003004PK10BHL
35	42	45	35	37,5	20,3		26,0	1225	3675	3,3	17	9,1	35	1,2	KE28003504PK10BHL
40	42	50	35	37,5	20,3		27,2	1400	4200	3,2	17	8,3	35	1,2	KE28004004PK10BHL
45	42	55	40	37,5	20,3		27,4	1575	4725	3,5	18	7,7	35	1,2	KE28004504PK10BHL
50	42	55	40	37,5	20,3		28,9	1750	5250	3,1	18	7,7	35	1,2	KE28005004PK10BHL
52	42	57	38	37,5	20,3		29,5	1925	5775	3,0	18	7,7	35	1,2	KE28005204PK10BHL
55	42	55	40	37,5	20,3		30,3	1925	5775	2,8	18	7,7	35	1,2	KE28005504PK10BHL
60	42	60	45	37,5	20,3		32,9	2100	6300	2,6	20	7,1	35	1,2	KE28006004PK10BHL
65	42	60	45	37,5	20,3		34,2	2275	6825	2,4	20	7,1	35	1,2	KE28006504PK10BHL
30	57,5	45	25	52,5	10,2		15,8	600	1800	8,8	14	9,1	20	1,2	KE28003004PK11BHL
35	57,5	45	25	52,5	10,2		17,1	700	2100	7,5	14	9,1	20	1,2	KE28003504PK11BHL
40	57,5	45	30	52,5	20,3		19,5	800	2400	6,6	15	8,0	20	1,2	KE28004004PK11BHL
45	57,5	45	30	52,5	20,3		20,7	900	2700	5,9	15	8,0	20	1,2	KE28004504PK11BHL
50	57,5	50	35	52,5	20,3		23,5	1000	3000	5,3	17	6,9	20	1,2	KE28005004PK11BHL
55	57,5	50	35	52,5	20,3		24,6	1100	3300	4,8	17	6,9	20	1,2	KE28005504PK11BHL
60	57,5	50	35	52,5	20,3		25,7	1200	3600	4,4	17	6,9	20	1,2	KE28006004PK11BHL
70	57,5	60	35	52,5	20,3		28,4	1400	4200	4,1	18	6,1	20	1,2	KE28007004PK10BHL
75	57,5	60	35	52,5	20,3		29,4	1500	4500	3,8	18	6,1	20	1,2	KE28007504PK10BHL
85	57,5	65	35	52,5	20,3		32,3	1700	5100	3,4	18	5,7	20	1,2	KE28008504PK10BHL
85	57,5	55	45	52,5	20,3		33,2	1760	5280	3,4	19	5,4	20	1,2	KE28008504PK11BHL
100	57,5	65	45	52,5	20,3		36,9	2000	6000	2,9	20	5,1	20	1,2	KE28001014PK10BHL
110	57,5	65	45	52,5	20,3		38,7	2200	6600	2,6	20	5,1	20	1,2	KE28001114PK10BHL

## KE2 TYPE STANDARD RATINGS

Cap Value μF	Dimensions (mm)					I <sub>rms</sub> Max 75°C A(10Khz)	Peak Current A	Surge Current A	ESR <sup>Typical</sup> 10KHz mΩ	ESL nH	Thermal Res °C/W	dv/dt V/us	Lead Wire mm	PART NUMBER
	W	H	T	P	P1									
1	32	18	9	27,5	/	3,3	65	195	43,7	12	41,7	65	0,8	KE29001D02PK10BHL
2	32	20	11	27,5	/	5,1	130	390	21,9	14	35,7	65	0,8	KE29002D02PK10BHL
2,5	32	22	13	27,5	/	5,9	163	488	17,5	15	33,3	65	0,8	KE29002D52PK10BHL
3	32	22	13	27,5	/	6,4	195	585	14,6	15	33,3	65	0,8	KE29003D02PK10BHL
3,5	32	24,5	13	27,5	/	7,2	228	683	12,5	16	31,3	65	0,8	KE29003D52PK10BHL
4	32	24,5	15	27,5	/	8,0	260	780	10,9	17	28,6	65	0,8	KE29004D02PK10BHL
4,5	32	28	14	27,5	/	8,6	293	878	9,7	17	27,8	65	0,8	KE29004D52PK10BHL
5,5	32	30	16	27,5	/	9,8	358	1073	7,9	18	26,3	65	0,8	KE29005D52PK10BHL
6	32	28	18	27,5	/	10,7	390	1170	7,3	19	23,8	65	0,8	KE29006D02PK10BHL
6,3	32	28	18	27,5	/	11,0	390	1170	6,9	19	23,8	65	0,8	KE29006D32PK10BHL
7	32	33	18	27,5	/	12,1	455	1365	6,2	21	21,7	65	0,8	KE29007D02PK10BHL
9	32	37	22	27,5	/	13,6	585	1755	6,2	23	17,2	65	0,8	KE29009D02PK10BHL
10	32	37	22	27,5	/	14,4	650	1950	5,6	23	17,2	65	0,8	KE29001002PK10BHL
10	42	32	19	37,5	/	10,5	350	1050	10,1	13	17,9	35	1,0	KE29001002PK11BHL
14	42	40	20	37,5	10,2	14,1	490	1470	7,2	14	13,9	35	1,2	KE29001404PK10BHL
15	42	40	20	37,5	10,2	14,6	525	1575	6,8	14	13,9	35	1,2	KE29001504PK10BHL
18	42	37	28	37,5	10,2	17,1	630	1890	5,6	15	12,2	35	1,2	KE29001804PK10BHL
20	42	37	28	37,5	10,2	18,0	700	2100	5,1	15	12,2	35	1,2	KE29002004PK10BHL
20	42	44	24	37,5	10,2	18,0	700	2100	5,1	15	12,2	35	1,2	KE29002004PK11BHL
25	42	45	30	37,5	20,3	22,2	875	2625	4,1	16	10,0	35	1,2	KE29002504PK10BHL
28	42	45	35	37,5	20,3	24,6	1050	3150	3,6	17	9,1	35	1,2	KE29002804PK10BHL
30	42	45	35	37,5	20,3	25,5	1050	3150	3,4	17	9,1	35	1,2	KE29003004PK10BHL
33	42	50	35	37,5	20,3	26,2	1225	3675	3,4	17	8,3	35	1,2	KE29003304PK10BHL
35	42	50	35	37,5	20,3	27,0	1225	3675	3,3	17	8,3	35	1,2	KE29003504PK10BHL
40	42	55	40	37,5	20,3	27,4	1400	4200	3,5	18	7,7	35	1,2	KE29004004PK10BHL
40	42	57	38	37,5	20,3	27,4	1400	4200	3,5	18	7,7	35	1,2	KE29004004PK11BHL
50	42	60	45	37,5	20,3	31,8	1750	5250	2,8	20	7,1	35	1,2	KE29005004PK10BHL
25	57,5	45	25	52,5	10,2	15,3	500	1500	9,4	14	9,1	20	1,2	KE29002504PK11BHL
35	57,5	45	30	52,5	20,3	19,3	700	2100	6,7	15	8,0	20	1,2	KE29003504PK11BHL
36	57,5	45	30	52,5	20,3	19,6	700	2100	6,5	15	8,0	20	1,2	KE29003604PK10BHL
45	57,5	50	35	52,5	20,3	23,6	900	2700	5,2	17	6,9	20	1,2	KE29004504PK10BHL
50	57,5	50	35	52,5	20,3	24,9	1000	3000	4,7	17	6,9	20	1,2	KE29005004PK11BHL
60	57,5	60	35	52,5	20,3	29,1	1200	3600	3,9	18	6,1	20	1,2	KE29006004PK10BHL
65	57,5	65	35	52,5	20,3	29,9	1300	3900	3,9	18	5,7	20	1,2	KE29006504PK10BHL
70	57,5	55	45	52,5	20,3	31,9	1400	4200	3,6	19	5,4	20	1,2	KE29007004PK10BHL
80	57,5	65	45	52,5	20,3	35,0	1600	4800	3,2	20	5,1	20	1,2	KE29008004PK10BHL
85	57,5	65	45	52,5	20,3	36,1	1700	5100	3,0	20	5,1	20	1,2	KE29008504PK10BHL

**RATED  
VOLTAGE  
900VDC**

## KE2 TYPE STANDARD RATINGS

RATED  
VOLTAGE  
1000VDC

Cap Value μF	Dimensions (mm)					I <sub>rms</sub> Max 75°C A(10KHz)	Peak Current A	Surge Current A	ESR <sup>Typical</sup> 10KHz mΩ	ESL nH	Thermal Res °C/W	dv/dt V/us	Lead Wire mm	PART NUMBER
	W	H	T	P	P1									
1	32	18	9	27,5	/	3,5	65	195	39,3	12	41,7	65	0,8	KE21011D02PK10BHL
1,8	32	20	11	27,5	/	5,1	117	351	21,9	14	35,7	65	0,8	KE21011D82PK10BHL
2,0	32	22	13	27,5	/	5,5	130	390	19,7	15	33,3	65	0,8	KE21012D02PK10BHL
2,2	32	22	13	27,5	/	5,8	143	429	17,9	15	33,3	65	0,8	KE21012D22PK10BHL
2,7	32	24,5	13	27,5	/	6,6	143	429	14,6	17	29,4	65	0,8	KE21012D72PK10BHL
3	32	24	14	27,5	/	7,2	195	585	13,1	17	29,4	65	0,8	KE21013D02PK10BHL
3,3	32	28	14	27,5	/	7,8	215	644	11,9	17	27,8	65	0,8	KE21013D32PK10BHL
4	32	30	16	27,5	/	8,8	260	780	9,8	18	26,3	65	0,8	KE21014D02PK10BHL
5	32	28	18	27,5	/	10,3	325	975	7,9	19	23,8	65	0,8	KE21015D02PK10BHL
5,5	32	33	18	27,5	/	11,3	390	1170	7,2	21	21,7	65	0,8	KE21015D52PK10BHL
6	32	33	18	27,5	/	11,8	390	1170	6,6	21	21,7	65	0,8	KE21016D02PK10BHL
7	32	37	22	27,5	/	12,7	455	1365	7,2	23	17,2	65	0,8	KE21017D02PK10BHL
8	32	37	22	27,5	/	13,5	520	1560	6,3	23	17,2	65	0,8	KE21018D02PK10BHL
7	42	29	17	37,5	/	8,9	245	735	13,0	12	19,2	35	1,0	KE21017D02PK11BHL
8	42	32	19	37,5	/	9,9	280	840	11,4	13	17,9	35	1,0	KE21018D02PK11BHL
12	42	40	20	37,5	10,2	13,8	420	1260	7,6	14	13,9	35	1,2	KE21011204PK10BHL
12	42	37	22	37,5	10,2	13,6	420	1260	7,6	14	14,3	35	1,2	KE21011204PK11BHL
14	42	37	22	37,5	10,2	14,7	490	1470	6,5	14	14,3	35	1,2	KE21011404PK10BHL
15	42	44	24	37,5	10,2	16,4	525	1575	6,1	15	12,2	35	1,2	KE21011504PK10BHL
16	42	43	28	37,5	10,2	17,3	560	1680	5,7	16	11,8	35	1,2	KE21011604PK10BHL
18	42	45	30	37,5	20,3	19,9	630	1890	5,1	16	10,0	35	1,2	KE21011804PK10BHL
20	42	45	30	37,5	20,3	20,9	700	2100	4,6	16	10,0	35	1,2	KE21012004PK10BHL
22	42	45	35	37,5	20,3	23,0	770	2310	4,1	17	9,1	35	1,2	KE21012204PK10BHL
25	42	50	35	37,5	20,3	24,1	875	2625	4,1	17	8,3	35	1,2	KE21012504PK10BHL
30	42	55	40	37,5	20,3	25,0	1050	3150	4,1	18	7,7	35	1,2	KE21013004PK10BHL
33	42	57	38	37,5	20,3	26,3	1225	3675	3,8	18	7,7	35	1,2	KE21013304PK10BHL
35	42	55	40	37,5	20,3	27,0	1225	3675	3,6	18	7,7	35	1,2	KE21013504PK10BHL
40	42	60	45	37,5	20,3	30,0	1400	4200	3,1	20	7,1	35	1,2	KE21014004PK10BHL
25	57,5	45	25	52,5	10,2	16,2	500	1500	8,4	14	9,1	20	1,2	KE21012504PK11BHL
30	57,5	45	30	52,5	20,3	18,9	600	1800	7,0	15	8,0	20	1,2	KE21013004PK11BHL
35	57,5	45	30	52,5	20,3	20,4	700	2100	6,0	15	8,0	20	1,2	KE21013504PK11BHL
40	57,5	50	35	52,5	20,3	23,5	800	2400	5,3	17	6,9	20	1,2	KE21014004PK11BHL
45	57,5	60	35	52,5	20,3	26,5	900	2700	4,7	18	6,1	20	1,2	KE21014504PK10BHL
50	57,5	60	35	52,5	20,3	28,0	1000	3000	4,2	18	6,1	20	1,2	KE21015004PK10BHL
55	57,5	65	35	52,5	20,3	29,0	1100	3300	4,2	18	5,7	20	1,2	KE21015504PK10BHL
55	57,5	55	45	52,5	20,3	29,0	1140	3420	4,2	19	5,4	20	1,2	KE21015504PK11BHL
57	57,5	55	45	52,5	20,3	30,4	1140	3420	4,0	19	5,4	20	1,2	KE21015704PK10BHL
65	57,5	65	45	52,5	20,3	33,3	1300	3900	3,5	20	5,1	20	1,2	KE21016504PK10BHL
70	57,5	65	45	52,5	20,3	33,7	1400	4200	3,4	20	5,1	20	1,2	KE21017004PK10BHL

## KE2 TYPE STANDARD RATINGS

Cap Value μF	Dimensions (mm)					I <sub>rms</sub> Max 75°C A(10Khz)	Peak Current A	Surge Current A	ESR <sup>Typical</sup> 10KHz mΩ	ESL nH	Thermal Res °C/W	dv/dt V/us	Lead Wire mm	PART NUMBER
	W	H	T	P	P1									
1	32	18	9	27,5	/	3,7	65	195	35,8	12	41,7	65	0,8	KE21111D02PK10BHL
1,5	32	20	11	27,5	/	4,8	98	293	23,8	14	35,7	65	0,8	KE21111D52PK10BHL
2	32	22	13	27,5	/	5,8	130	390	17,9	15	33,3	65	0,8	KE21112D02PK10BHL
2,2	32	24,5	13	27,5	/	6,3	143	429	16,3	16	31,3	65	0,8	KE21112D22PK10BHL
2,7	32	30	16	27,5	/	7,4	215	644	13,2	17	27,8	65	0,8	KE21112D72PK10BHL
3	32	28	14	27,5	/	7,8	195	585	11,9	17	27,8	65	0,8	KE21113D02PK10BHL
3,3	32	30	16	27,5	/	8,4	215	644	10,8	18	26,3	65	0,8	KE21113D32PK10BHL
4	32	28	18	27,5	/	9,7	260	780	8,9	19	23,8	65	0,8	KE21114D02PK10BHL
4,5	32	33	18	27,5	/	10,8	293	878	7,9	21	21,7	65	0,8	KE21114D52PK10BHL
5	32	33	18	27,5	/	11,3	325	975	7,2	21	21,7	65	0,8	KE21115D02PK10BHL
6	32	37	22	27,5	/	12,3	390	1170	7,7	23	17,2	65	0,8	KE21116D02PK10BHL
7	32	37	22	27,5	/	13,3	455	1365	6,6	23	17,2	65	0,8	KE21117D02PK10BHL
7	42	32	19	37,5	/	9,7	245	735	11,9	13	17,9	35	1,0	KE21117D02PK11BHL
8	42	40	20	37,5	10,2	11,8	280	840	10,4	14	13,9	35	1,2	KE21118D04PK10BHL
9	42	40	20	37,5	10,2	12,5	315	945	9,2	14	13,9	35	1,2	KE21119D04PK10BHL
10	42	37	22	37,5	10,2	13,0	350	1050	8,3	14	14,3	35	1,2	KE21111004PK10BHL
10	42	37	28	37,5	10,2	14,1	350	1050	8,3	15	12,2	35	1,2	KE21111004PK11BHL
12	42	37	28	37,5	10,2	15,4	420	1260	6,9	15	12,2	35	1,2	KE21111204PK10BHL
12	42	44	24	37,5	10,2	15,4	420	1260	6,9	15	12,2	35	1,2	KE21111204PK11BHL
13	42	44	24	37,5	10,2	16,0	455	1365	6,4	15	12,2	35	1,2	KE21111304PK10BHL
15	42	43	28	37,5	10,2	17,5	525	1575	5,5	16	11,8	35	1,2	KE21111504PK10BHL
16	42	45	30	37,5	20,3	19,6	560	1680	5,2	16	10,0	35	1,2	KE21111604PK10BHL
18	42	45	35	37,5	20,3	21,8	630	1890	4,6	17	9,1	35	1,2	KE21111804PK10BHL
20	42	50	35	37,5	20,3	22,6	700	2100	4,7	17	8,3	35	1,2	KE21112004PK10BHL
27	42	55	40	37,5	20,3	24,9	945	2835	4,2	18	7,7	35	1,2	KE21112704PK10BHL
27	42	57	38	37,5	20,3	24,9	945	2835	4,2	18	7,7	35	1,2	KE21112704PK11BHL
35	42	60	45	37,5	20,3	29,4	1225	3675	3,2	20	7,1	35	1,2	KE21113504PK10BHL
25	57,5	45	30	52,5	20,3	18,1	500	1500	7,7	15	8,0	20	1,2	KE21112504PK10BHL
30	57,5	50	35	52,5	20,3	21,3	600	1800	6,4	17	6,9	20	1,2	KE21113004PK10BHL
40	57,5	60	35	52,5	20,3	26,2	800	2400	4,8	18	6,1	20	1,2	KE21114004PK10BHL
45	57,5	65	35	52,5	20,3	27,5	900	2700	4,6	18	5,7	20	1,2	KE21114504PK10BHL
45	57,5	55	45	52,5	20,3	28,0	940	2820	4,6	19	5,4	20	1,2	KE21114504PK11BHL
47	57,5	55	45	52,5	20,3	28,9	940	2820	4,4	19	5,4	20	1,2	KE21114704PK10BHL
50	57,5	65	45	52,5	20,3	30,6	1000	3000	4,2	20	5,1	20	1,2	KE21115004PK10BHL
55	57,5	65	45	52,5	20,3	32,1	1100	3300	3,8	20	5,1	20	1,2	KE21115504PK10BHL

**RATED  
VOLTAGE  
110VDC**

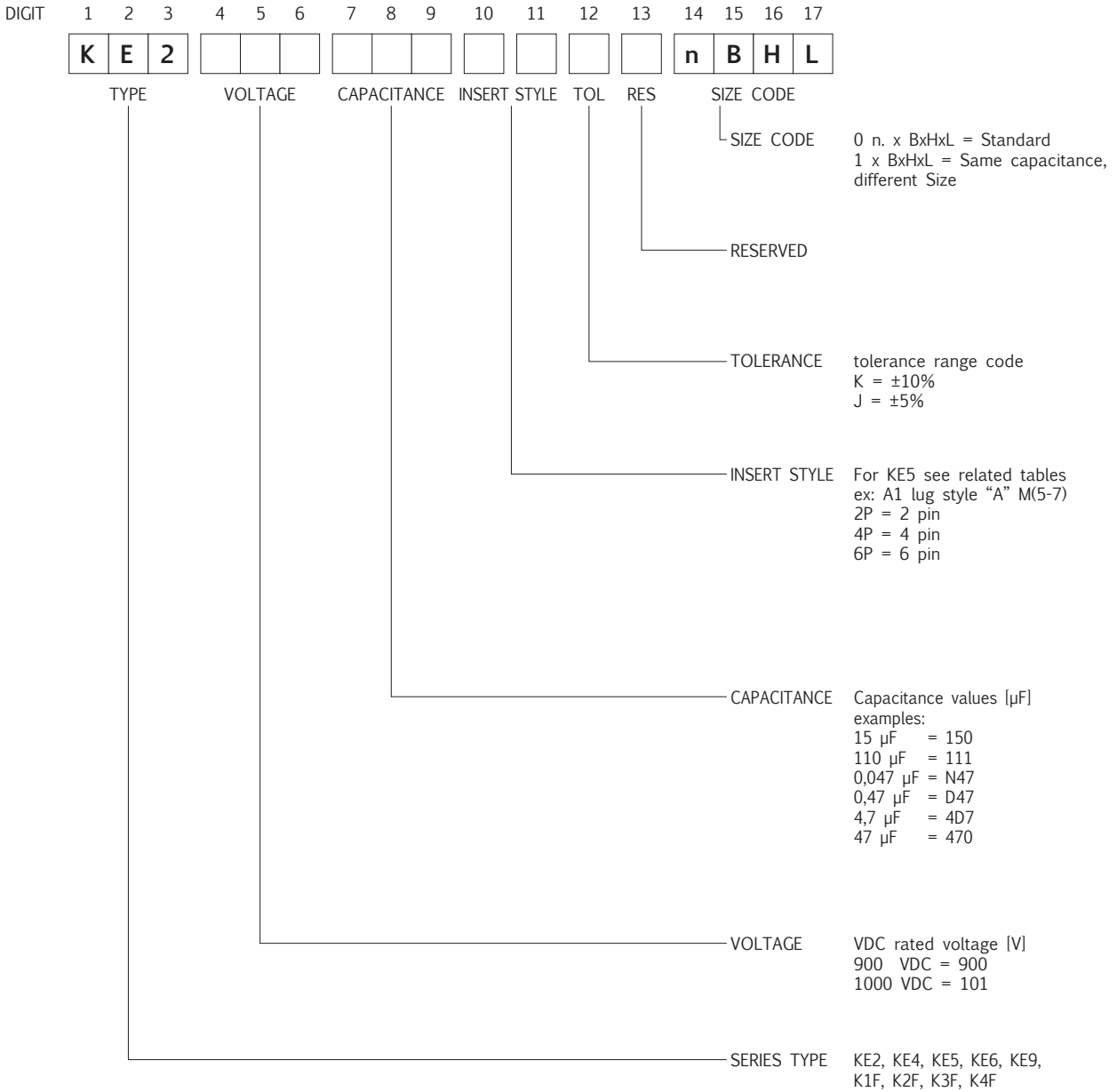
## KE2 TYPE STANDARD RATINGS

**RATED  
VOLTAGE  
1200VDC**

Cap Value μF	Dimensions (mm)					I <sub>rms</sub> Max 75°C A(10Khz)	Peak Current A	Surge Current A	ESR <sup>Typical</sup> 10KHz mΩ	ESL nH	Thermal Res °C/W	dv/dt V/us	Lead Wire mm	PART NUMBER
	W	H	T	P	P1									
1,0	32	20	11	27,5	/	4,5	65	195	27,3	14	35,7	65	0,8	KE21211D02PK10BHL
1,2	32	20	11	27,5	/	4,5	78	234	27,3	14	35,7	65	0,8	KE21211D22PK10BHL
1,5	32	22	13	27,5	/	5,2	98	293	21,9	15	33,3	65	0,8	KE21211D52PK10BHL
2	32	24,5	13	27,5	/	6,2	130	390	16,4	16	31,3	65	0,8	KE21212D02PK10BHL
2,2	32	28	14	27,5	/	7,0	143	429	14,9	17	27,8	65	0,8	KE21212D22PK10BHL
2,7	32	30	16	27,5	/	7,9	195	585	12,1	18	26,3	65	0,8	KE21212D72PK10BHL
3	32	30	16	27,5	/	8,3	195	585	10,9	18	26,3	65	0,8	KE21213D02PK10BHL
3,3	32	28	18	27,5	/	9,2	215	644	9,9	19	23,8	65	0,8	KE21213D32PK10BHL
3,7	32	33	18	27,5	/	10,2	260	780	8,9	21	21,7	65	0,8	KE21213D72PK10BHL
4	32	33	18	27,5	/	10,6	260	780	8,2	21	21,7	65	0,8	KE21214D02PK10BHL
5	32	37	22	27,5	/	13,3	325	975	6,6	23	17,2	65	0,8	KE21215D02PK10BHL
4,5	42	29	17	37,5	/	7,8	158	473	16,9	12	19,2	35	1,0	KE21214D52PK10BHL
5,5	42	32	19	37,5	/	9,0	193	578	13,8	13	17,9	35	1,0	KE21215D52PK10BHL
8	42	40	20	37,5	10,2	12,3	280	840	9,5	14	13,9	35	1,2	KE21218D04PK10BHL
10	42	37	28	37,5	10,2	14,7	350	1050	7,6	15	12,2	35	1,2	KE21211004PK10BHL
11	42	44	24	37,5	10,2	15,4	385	1155	6,9	15	12,2	35	1,2	KE21211104PK10BHL
12	42	43	28	37,5	10,2	16,4	420	1260	6,3	16	11,8	35	1,2	KE21211204PK10BHL
13	42	43	28	37,5	10,2	17,0	455	1365	5,8	16	11,8	35	1,2	KE21211304PK10BHL
14	42	45	30	37,5	20,3	19,2	490	1470	5,4	16	10,0	35	1,2	KE21211404PK10BHL
15	42	45	35	37,5	20,3	20,8	525	1575	5,1	17	9,1	35	1,2	KE21211504PK10BHL
16	42	45	35	37,5	20,3	21,5	560	1680	4,8	17	9,1	35	1,2	KE21211604PK10BHL
17	42	50	35	37,5	20,3	21,7	630	1890	5,1	17	8,3	35	1,2	KE21211704PK10BHL
18	42	50	35	37,5	20,3	22,4	630	1890	4,8	17	8,3	35	1,2	KE21211804PK10BHL
22	42	55	40	37,5	20,3	25,7	770	2310	3,9	18	7,7	35	1,2	KE21212204PK10BHL
22	42	57	38	37,5	20,3	25,7	770	2310	3,9	18	7,7	35	1,2	KE21212204PK11BHL
23	42	55	40	37,5	20,3	26,3	805	2415	3,8	18	7,7	35	1,2	KE21212304PK10BHL
30	42	60	45	37,5	20,3	31,2	1050	3150	2,9	20	7,1	35	1,2	KE21213004PK10BHL
15	57,5	45	25	52,5	10,2	13,7	300	900	11,7	14	9,1	20	1,2	KE21211504PK11BHL
20	57,5	45	30	52,5	20,3	16,9	400	1200	8,8	15	8,0	20	1,2	KE21212004PK10BHL
25	57,5	50	35	52,5	20,3	20,3	500	1500	7,0	17	6,9	20	1,2	KE21212504PK10BHL
33	57,5	60	35	52,5	20,3	24,9	660	1980	5,3	18	6,1	20	1,2	KE21213304PK10BHL
36	57,5	55	45	52,5	20,3	25,7	800	2400	5,2	18	5,4	20	1,2	KE21213604PK10BHL
38	57,5	65	35	52,5	20,3	26,4	760	2280	5,0	18	5,7	20	1,2	KE21213804PK10BHL
40	57,5	55	45	52,5	20,3	27,9	800	2400	4,8	19	5,4	20	1,2	KE21214004PK10BHL
45	57,5	65	45	52,5	20,3	30,3	900	2700	4,2	20	5,1	20	1,2	KE21214504PK10BHL

# PART NUMBER SYSTEM FOR METALLIZED POLYPROPYLENE FILM CAPACITORS

New PART-NUMBER CODE in use since Sep 2010. Total length is 17 digits.  
Please see examples below and have a reference code from the standard ratings capacitors pages.

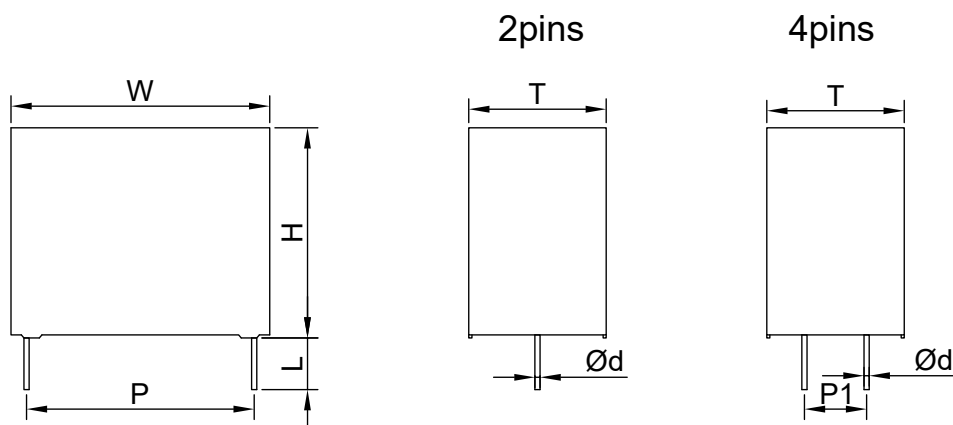


## K1F TYPE -55 +105°C 100000H

### Overview

The K1F capacitor is constructed of metallized polypropylene film encapsulated with epoxy resin in a plastic box, with 2 or 4 tinned copper wire. These K1F series is suitable for harsh environment conditions and compliant to THB Grade IIIB.

<b>Applications</b>	Widely used in high performance DC Link, DC filtering, frequency converters, industrial power supply, solar inverter and energy storage. Not suitable for across the line application.
<b>Reference standard</b>	IEC 61071
<b>Construction</b>	Metallized Polypropylene Film
<b>Coating</b>	Plastic Box
<b>Terminals</b>	Tinned Copper Terminal Wires
<b>Operating temperature range</b>	-55°C to +105°C (85°C ~105°C, decreasing factor 1.25% per °C for Rated Voltage)
<b>Capacitance</b>	1.0μF to 200μF
<b>Rated Voltage</b>	450 to 1200 VDC
<b>Tolerance</b>	±5% or ±10% at +25°C
<b>Dissipation Factor</b>	≤0.002 (0.2%) at 1KHz; C ≤20μF at 25°C ≤0.003 (0.3%) at 1KHz; C >20μF at 25°C ≤0.004 (0.4%) at 1KHz; C >80μF at 25°C
<b>Life Expectancy</b>	≥100,000 hours at rated voltage and 85°C hotspot
<b>Dielectric strength</b>	1.5 x VR VDC for 10 seconds @ +25°C ± 5°C
<b>Test Voltage terminal to case</b>	3000VAC, 50/60Hz 60s (at +25 ±5°C)
<b>Insulation Resistance</b>	IR xC ≥30,000 s at 100vdc 1minute at +25°C



## K1F TYPE STANDARD RATINGS

RATED  
VOLTAGE  
450VDC

Cap Value μF	Dimensions (mm)					P1	Irms Max 70°C A(10Khz)	Peak Current A	Surge Current A	ESR <sup>Typical</sup> 10KHz mΩ	ESL nH	Thermal Res °C/W	dv/dt V/us	Lead Wire mm	PART NUMBER
	W	H	T	P	P1										
5	32	20	11	27,5	/	5	325	975	20,0	25	30,0	65	0,8	K1F4505D02PK10BHL	
10	32	24,5	15	27,5	/	7	650	1950	11,0	25	27,8	65	0,8	K1F4501002PK10BHL	
15	32	33	18	27,5	/	11	975	2925	7,0	25	17,7	65	0,8	K1F4501502PK10BHL	
22	32	37	22	27,5	/	11	1430	4290	5,0	28	24,8	65	0,8	K1F4502202PK10BHL	
25	32	37	22	27,5	/	12	1625	4875	4,8	28	24,8	65	0,8	K1F4502502PK10BHL	
30	42	40	20	37,5	10,2	12,5	1050	3150	7,5	30	12,8	35	1,2	K1F4503004PK10BHL	
35	42	37	22	37,5	10,2	13,5	1225	3675	7,0	30	11,8	35	1,2	K1F4503504PK10BHL	
40	42	37	28	37,5	10,2	14,5	1400	4200	6,2	30	11,5	35	1,2	K1F4504004PK10BHL	
50	42	43	28	37,5	10,2	16	1750	5250	5,0	30	11,7	35	1,2	K1F4505004PK10BHL	
50	42	45	30	37,5	20,3	16	1750	5250	5,0	30	11,7	35	1,2	K1F4505004PK11BHL	
60	42	45	30	37,5	20,3	16,5	2100	6300	4,5	30	12,2	35	1,2	K1F4506004PK10BHL	
75	57,5	45	30	52,5	20,3	16,5	1500	4500	5,5	35	10,0	20	1,2	K1F4507504PK10BHL	
80	42	50	35	37,5	20,3	20,5	2800	8400	3,8	30	12,2	35	1,2	K1F4508004PK10BHL	
80	57,5	45	30	52,5	20,3	17	1600	4800	5,0	35	10,4	20	1,2	K1F4508004PK11BHL	
100	57,5	50	35	52,5	20,3	18	2000	6000	4,5	35	10,3	20	1,2	K1F4501014PK10BHL	
110	42	60	45	37,5	20,3	24,5	3850	11550	3,6	30	12,2	35	1,2	K1F4501114PK10BHL	
110	57,5	50	35	52,5	20,3	19	2200	6600	4,0	35	10,4	20	1,2	K1F4501114PK11BHL	
120	57,5	50	35	52,5	20,3	21,5	2400	7200	3,8	35	10,4	20	1,2	K1F4501214PK10BHL	
130	42	60	45	37,5	20,3	28,5	4550	13650	3,0	30	12,2	35	1,2	K1F4501314PK10BHL	
160	57,5	55	45	52,5	20,3	28,5	3200	9600	3,0	35	10,4	20	1,2	K1F4501614PK10BHL	
200	57,5	65	45	52,5	20,3	33	4000	12000	2,6	35	10,4	20	1,2	K1F4502014PK10BHL	

RATED  
VOLTAGE  
550VDC

Cap Value μF	Dimensions (mm)					P1	Irms Max 70°C A(10Khz)	Peak Current A	Surge Current A	ESR <sup>Typical</sup> 10KHz mΩ	ESL nH	Thermal Res °C/W	dv/dt V/us	Lead Wire mm	PART NUMBER
	W	H	T	P	P1										
5	32,0	22	13	27,5	/	5,5	325	975	19,5	25	25,4	65	0,8	K1F5505D02PK10BHL	
10	32	33	18	27,5	/	7,5	650	1950	10,5	25	25,4	65	0,8	K1F5501002PK10BHL	
15	32	37	22	27,5	/	11,5	975	2925	6,8	28	16,7	65	0,8	K1F5501502PK10BHL	
22	32	37	22	27,5	/	11,5	1430	4290	4,9	28	23,1	65	0,8	K1F5502202PK10BHL	
30	42	44	24	37,5	10,2	13	1050	3150	7,2	30	12,3	35	1,2	K1F5503004PK10BHL	
35	42	45	30	37,5	20,3	13,8	1225	3675	6,8	30	11,6	35	1,2	K1F5503504PK10BHL	
40	42	45	30	37,5	20,3	14,8	1400	4200	6,0	30	11,4	35	1,2	K1F5504004PK10BHL	
50	42	50	35	37,5	20,3	17	1750	5250	4,8	30	10,8	35	1,2	K1F5505004PK10BHL	
60	42	50	35	37,5	20,3	18	2100	6300	4,2	30	11,0	35	1,2	K1F5506004PK10BHL	
70	42	50	35	37,5	20,3	20,5	2450	7350	3,8	30	11,0	35	1,2	K1F5507004PK10BHL	
75	57,5	45	30	52,5	20,3	16,8	1500	4500	5,2	35	10,2	20	1,2	K1F5507504PK10BHL	
100	57,5	50	35	52,5	20,3	18,5	2000	6000	4,3	35	10,2	20	1,2	K1F5501014PK10BHL	
110	42	60	45	37,5	20,3	24,5	3850	11550	3,6	30	11,0	35	1,2	K1F5501114PK10BHL	
110	57,5	50	35	52,5	20,3	20	2200	6600	4,0	35	9,4	20	1,2	K1F5501114PK11BHL	
140	57,5	55	45	52,5	20,3	26	2800	8400	3,5	35	6,3	20	1,2	K1F5501414PK10BHL	
170	57,5	65	45	52,5	20,3	32	3400	10200	2,8	35	5,2	20	1,2	K1F5501714PK10BHL	
180	57,5	65	45	52,5	20,3	33	3600	10800	2,6	35	5,2	20	1,2	K1F5501814PK10BHL	

## K1F TYPE STANDARD RATINGS

Cap Value μF	Dimensions (mm)					P1	Irms Max 70°C A(10KHz)	Peak Current A	Surge Current A	ESR <sup>Typical</sup> 10KHz mΩ	ESL nH	Thermal Res °C/W	dv/dt V/us	Lead Wire mm	PART NUMBER
	W	H	T	P	P1										
2	32	18	9	27,5	/	2,9	130	390	40,0	25	44,6	65	0,8	K1F6002D02PK10BHL	
3	32	20	11	27,5	/	4	195	585	28,0	25	33,5	65	0,8	K1F6003D02PK10BHL	
4	32	20	11	27,5	/	5,5	260	780	23,0	25	21,6	65	0,8	K1F6004D02PK10BHL	
5	32	22	13	27,5	/	7	325	975	14,5	25	21,1	65	0,8	K1F6005D02PK10BHL	
6	32	24,5	15	27,5	/	7,3	390	1170	13,0	25	21,7	65	0,8	K1F6006D02PK10BHL	
7	32	24,5	15	27,5	/	8,5	455	1365	12,0	25	17,3	65	0,8	K1F6007D02PK10BHL	
8	32	28	14	27,5	/	9,5	520	1560	11,0	25	15,1	65	0,8	K1F6008D02PK10BHL	
9	32	30	16	27,5	/	10,5	585	1755	10,5	25	13,0	65	0,8	K1F6009D02PK10BHL	
10	32	30	16	27,5	/	11	650	1950	10,0	25	12,4	65	0,8	K1F6001002PK10BHL	
10	42	30	17	37,5	/	7	350	1050	18,0	28	17,0	35	1,0	K1F6001002PK11BHL	
12	32	33	18	27,5	/	12	780	2340	9,5	25	11,0	65	0,8	K1F6001202PK10BHL	
12	42	30	17	37,5	/	8	420	1260	12,0	28	19,5	35	1,0	K1F6001202PK11BHL	
15	32	37	22	27,5	/	12	975	2925	9,5	28	11,0	65	0,8	K1F6001502PK10BHL	
15	32	37	22	27,5	10,2	14,5	975	2925	7,0	28	10,2	65	1,0	K1F6001504PK10BHL	
15	42	32	19	37,5	/	9,5	525	1575	11,0	28	15,1	35	1,0	K1F6001502PK11BHL	
18	32	37	22	27,5	/	12,5	1170	3510	9,0	28	10,7	65	0,8	K1F6001802PK10BHL	
18	32	37	22	27,5	10,2	16,5	1170	3510	6,0	28	9,2	65	1,0	K1F6001804PK10BHL	
20	42	40	20	37,5	10,2	12,5	700	2100	9,0	30	10,7	35	1,2	K1F6002004PK10BHL	
22	42	40	20	37,5	10,2	13,5	770	2310	8,0	30	10,3	35	1,2	K1F6002204PK10BHL	
25	42	40	20	37,5	10,2	15,5	875	2625	7,0	30	8,9	35	1,2	K1F6002504PK10BHL	
30	42	44	24	37,5	10,2	16,5	1050	3150	6,5	30	8,5	35	1,2	K1F6003004PK10BHL	
35	42	45	30	37,5	20,3	18,5	1225	3675	6,0	30	7,3	35	1,2	K1F6003504PK10BHL	
40	42	45	30	37,5	20,3	20,5	1400	4200	5,0	30	7,1	35	1,2	K1F6004004PK10BHL	
40	57,5	45	25	52,5	10,2	13,5	800	2400	8,0	35	10,3	20	1,2	K1F6004004PK11BHL	
45	42	50	35	37,5	20,3	23	1575	4725	4,5	30	6,3	35	1,2	K1F6004504PK10BHL	
45	57,5	45	25	52,5	10,2	14	900	2700	7,5	35	10,2	20	1,2	K1F6004504PK11BHL	
50	42	50	35	37,5	20,3	25	1750	5250	4,0	30	6,0	35	1,2	K1F6005004PK10BHL	
50	57,5	45	25	52,5	10,2	15,5	1000	3000	7,0	35	8,9	20	1,2	K1F6005004PK11BHL	
55	57,5	45	30	52,5	20,3	17	1100	3300	6,2	35	8,4	20	1,2	K1F6005504PK10BHL	
60	42	55	40	37,5	20,3	27	2100	6300	3,8	30	5,4	35	1,2	K1F6006004PK10BHL	
60	57,5	45	30	52,5	20,3	18,5	1200	3600	6,0	35	7,3	20	1,2	K1F6006004PK11BHL	
65	57,5	50	35	52,5	20,3	20	1300	3900	5,5	35	6,8	20	1,2	K1F6006504PK10BHL	
70	42	55	40	37,5	20,3	29	2450	7350	3,5	30	5,1	35	1,2	K1F6007004PK10BHL	
70	57,5	50	35	52,5	20,3	21,5	1400	4200	5,0	35	6,5	20	1,2	K1F6007004PK11BHL	
75	42	60	45	37,5	20,3	30	2625	7875	3,0	30	5,6	35	1,2	K1F6007504PK10BHL	
75	57,5	50	35	52,5	20,3	23,5	1500	4500	4,5	35	6,0	20	1,2	K1F6007504PK11BHL	
80	42	60	45	37,5	20,3	32	2800	8400	2,8	30	5,2	35	1,2	K1F6008004PK10BHL	
80	57,5	50	35	52,5	20,3	24,5	1600	4800	4,2	35	5,9	20	1,2	K1F6008004PK11BHL	
85	42	60	45	37,5	20,3	34	2975	8925	2,5	30	5,2	35	1,2	K1F6008504PK10BHL	
90	57,5	55	45	52,5	20,3	26	1800	5400	4,0	35	5,5	20	1,2	K1F6009004PK10BHL	
100	57,5	55	45	52,5	20,3	29	2000	6000	3,4	35	5,2	20	1,2	K1F6001014PK10BHL	
110	57,5	55	45	52,5	20,3	30	2200	6600	3,0	35	5,6	20	1,2	K1F6001114PK10BHL	
120	57,5	65	45	52,5	20,3	32	2400	7200	2,8	35	5,2	20	1,2	K1F6001214PK10BHL	
130	57,5	65	45	52,5	20,3	33	2600	7800	2,6	35	5,3	20	1,2	K1F6001314PK10BHL	
140	57,5	65	45	52,5	20,3	34	2800	8400	2,5	35	5,2	20	1,2	K1F6001414PK10BHL	

**RATED  
VOLTAGE  
600VDC**

## K1F TYPE STANDARD RATINGS

Cap Value μF	Dimensions (mm)					P1	Irms Max 70°C A(10KHz)	Peak Current A	Surge Current A	ESR <sup>Typical</sup> 10KHz mΩ	ESL nH	Thermal Res °C/W	dv/dt V/us	Lead Wire mm	PART NUMBER
	W	H	T	P	P1										
2	32	18	9	27,5	/		2,9	130	390	40,0	25	44,6	65	0,8	K1F7002D02PK10BHL
3	32	20	11	27,5	/		4	195	585	28,0	25	33,5	65	0,8	K1F7003D02PK10BHL
4	32	20	11	27,5	/		5,5	260	780	23,0	25	21,6	65	0,8	K1F7004D02PK10BHL
5	32	22	13	27,5	/		7	325	975	14,5	25	21,1	65	0,8	K1F7005D02PK10BHL
6	32	24,5	15	27,5	/		7,3	390	1170	13,0	25	21,7	65	0,8	K1F7006D02PK10BHL
7	32	24,5	15	27,5	/		8,5	455	1365	12,0	25	17,3	65	0,8	K1F7007D02PK10BHL
8	32	28	14	27,5	/		9,5	520	1560	11,0	25	15,1	65	0,8	K1F7008D02PK10BHL
9	32	30	16	27,5	/		10,5	585	1755	10,5	25	13,0	65	0,8	K1F7009D02PK10BHL
10	32	30	16	27,5	/		11	650	1950	10,0	25	12,4	65	0,8	K1F7001002PK10BHL
10	42	30	17	37,5	/		7	350	1050	18,0	28	17,0	35	1,0	K1F7001002PK11BHL
12	32	33	18	27,5	/		12	780	2340	9,5	25	11,0	65	0,8	K1F7001202PK10BHL
12	42	30	17	37,5	/		8	420	1260	12,0	28	19,5	35	1,0	K1F7001202PK11BHL
15	32	37	22	27,5	/		12	975	2925	9,5	28	11,0	65	0,8	K1F7001502PK10BHL
15	32	37	22	27,5	10,2		14,5	975	2925	7,0	28	10,2	65	1,0	K1F7001504PK10BHL
15	42	32	19	37,5	/		9,5	525	1575	11,0	28	15,1	35	1,0	K1F7001502PK11BHL
18	32	37	22	27,5	/		12,5	1170	3510	9,0	28	10,7	65	0,8	K1F7001802PK10BHL
18	32	37	22	27,5	10,2		16,5	1170	3510	6,0	28	9,2	65	1,0	K1F7001804PK10BHL
20	42	40	20	37,5	10,2		12,5	700	2100	9,0	30	10,7	35	1,2	K1F7002004PK10BHL
22	42	40	20	37,5	10,2		13,5	770	2310	8,0	30	10,3	35	1,2	K1F7002204PK10BHL
25	42	40	20	37,5	10,2		15,5	875	2625	7,0	30	8,9	35	1,2	K1F7002504PK10BHL
30	42	44	24	37,5	10,2		16,5	1050	3150	6,5	30	8,5	35	1,2	K1F7003004PK10BHL
35	42	45	30	37,5	20,3		18,5	1225	3675	6,0	30	7,3	35	1,2	K1F7003504PK10BHL
40	42	45	30	37,5	20,3		20,5	1400	4200	5,0	30	7,1	35	1,2	K1F7004004PK10BHL
40	57,5	45	25	52,5	10,2		13,5	800	2400	8,0	35	10,3	20	1,2	K1F7004004PK11BHL
45	42	50	35	37,5	20,3		23	1575	4725	4,5	30	6,3	35	1,2	K1F7004504PK10BHL
45	57,5	45	25	52,5	10,2		14	900	2700	7,5	35	10,2	20	1,2	K1F7004504PK11BHL
50	42	50	35	37,5	20,3		25	1750	5250	4,0	30	6,0	35	1,2	K1F7005004PK10BHL
50	57,5	45	25	52,5	10,2		15,5	1000	3000	7,0	35	8,9	20	1,2	K1F7005004PK11BHL
55	57,5	45	30	52,5	20,3		17	1100	3300	6,2	35	8,4	20	1,2	K1F7005504PK10BHL
60	42	55	40	37,5	20,3		27	2100	6300	3,8	30	5,4	35	1,2	K1F7006004PK10BHL
60	57,5	45	30	52,5	20,3		18,5	1200	3600	6,0	35	7,3	20	1,2	K1F7006004PK11BHL
65	57,5	50	35	52,5	20,3		20	1300	3900	5,5	35	6,8	20	1,2	K1F7006504PK10BHL
70	42	55	40	37,5	20,3		29	2450	7350	3,5	30	5,1	35	1,2	K1F7007004PK10BHL
70	57,5	50	35	52,5	20,3		21,5	1400	4200	5,0	35	6,5	20	1,2	K1F7007004PK11BHL
75	42	60	45	37,5	20,3		30	2625	7875	3,0	30	5,6	35	1,2	K1F7007504PK10BHL
75	57,5	50	35	52,5	20,3		23,5	1500	4500	4,5	35	6,0	20	1,2	K1F7007504PK11BHL
80	42	60	45	37,5	20,3		32	2800	8400	2,8	30	5,2	35	1,2	K1F7008004PK10BHL
80	57,5	50	35	52,5	20,3		24,5	1600	4800	4,2	35	5,9	20	1,2	K1F7008004PK11BHL
85	42	60	45	37,5	20,3		34	2975	8925	2,5	30	5,2	35	1,2	K1F7008504PK10BHL
90	57,5	55	45	52,5	20,3		26	1800	5400	4,0	35	5,5	20	1,2	K1F7009004PK10BHL
100	57,5	55	45	52,5	20,3		29	2000	6000	3,4	35	5,2	20	1,2	K1F7001014PK10BHL
110	57,5	55	45	52,5	20,3		30	2200	6600	3,0	35	5,6	20	1,2	K1F7001114PK10BHL
120	57,5	65	45	52,5	20,3		32	2400	7200	2,8	35	5,2	20	1,2	K1F7001214PK10BHL
130	57,5	65	45	52,5	20,3		33	2600	7800	2,6	35	5,3	20	1,2	K1F7001314PK10BHL
140	57,5	65	45	52,5	20,3		34	2800	8400	2,5	35	5,2	20	1,2	K1F7001414PK10BHL

RATED  
VOLTAGE  
700VDC

## K1F TYPE STANDARD RATINGS

Cap Value μF	Dimensions (mm)					P1	I <sub>rms</sub> Max 70°C A(10KHz)	Peak Current A	Surge Current A	ESR <sup>Typical</sup> 10KHz mΩ	ESL nH	Thermal Res °C/W	dv/dt V/us	Lead Wire mm	PART NUMBER
	W	H	T	P	P1										
2	32	18	9	27,5	/		2,9	130	390	40,0	25	44,6	65	0,8	K1F8002D02PK10BHL
3	32	20	11	27,5	/		4,5	195	585	26,0	25	28,5	65	0,8	K1F8003D02PK10BHL
4	32	24,5	13	27,5	/		5,8	260	780	22,0	25	20,3	65	0,8	K1F8004D02PK10BHL
5	32	24,5	15	27,5	/		7,5	325	975	14,0	25	19,0	65	0,8	K1F8005D02PK10BHL
6	32	30	16	27,5	/		8,5	390	1170	12,0	25	17,3	65	0,8	K1F8006D02PK10BHL
7	32	30	16	27,5	/		9,5	455	1365	11,0	25	15,1	65	0,8	K1F8007D02PK10BHL
8	32	33	18	27,5	/		10,5	520	1560	10,5	25	13,0	65	0,8	K1F8008D02PK10BHL
8	42	30	17	37,5	/		5,5	280	840	22,5	28	22,0	35	1,0	K1F8008D02PK11BHL
9	32	33	18	27,5	/		11,5	585	1755	10,2	25	11,1	65	0,8	K1F8009D02PK10BHL
9	42	30	17	37,5	/		6	315	945	21,5	28	19,4	35	1,0	K1F8009D02PK11BHL
10	32	37	22	27,5	/		12	650	1950	9,5	25	11,0	65	0,8	K1F8001002PK10BHL
10	32	37	22	27,5	10,2		14	650	1950	8,5	25	9,0	65	1,0	K1F8001004PK10BHL
10	42	32	19	37,5	/		7	350	1050	18,0	28	17,0	35	1,0	K1F8001002PK11BHL
12	32	37	22	27,5	/		12	780	2340	9,5	25	11,0	65	0,8	K1F8001202PK10BHL
12	32	37	22	27,5	10,2		15	780	2340	8,0	25	8,3	65	1,0	K1F8001204PK10BHL
12	42	32	19	37,5	/		8	420	1260	12,0	28	19,5	35	1,0	K1F8001202PK11BHL
14	32	37	22	27,5	/		12	910	2730	9,5	25	11,0	65	0,8	K1F8001402PK10BHL
14	32	37	22	27,5	10,2		16	910	2730	7,5	25	7,8	65	1,0	K1F8001404PK10BHL
14	42	32	19	37,5	/		9,5	490	1470	11,0	28	15,1	35	1,0	K1F8001402PK11BHL
15	42	40	20	37,5	10,2		12,5	525	1575	9,0	30	10,7	35	1,2	K1F8001504PK10BHL
20	42	44	24	37,5	10,2		13,5	700	2100	8,0	30	10,3	35	1,2	K1F8002004PK10BHL
25	42	44	24	37,5	10,2		16,5	875	2625	6,5	30	8,5	35	1,2	K1F8002504PK10BHL
25	57,5	45	25	52,5	10,2		8,5	500	1500	12,0	35	17,3	20	1,2	K1F8002504PK11BHL
30	42	45	30	37,5	20,3		20	1050	3150	5,8	30	6,5	35	1,2	K1F8003004PK10BHL
30	57,5	45	25	52,5	10,2		10	600	1800	10,5	35	14,3	20	1,2	K1F8003004PK11BHL
35	42	50	35	37,5	20,3		22	1225	3675	5,5	30	5,6	35	1,2	K1F8003504PK10BHL
35	57,5	45	25	52,5	10,2		12	700	2100	9,5	35	11,0	20	1,2	K1F8003504PK11BHL
40	42	50	35	37,5	20,3		25	1400	4200	4,8	30	5,0	35	1,2	K1F8004004PK10BHL
40	57,5	45	30	52,5	20,3		14	800	2400	8,5	35	9,0	20	1,2	K1F8004004PK11BHL
45	42	55	40	37,5	20,3		28	1575	4725	4,0	30	4,8	35	1,2	K1F8004504PK10BHL
45	57,5	45	30	52,5	20,3		15,5	900	2700	7,0	35	8,9	20	1,2	K1F8004504PK11BHL
50	42	55	40	37,5	20,3		31	1750	5250	3,6	30	4,3	35	1,2	K1F8005004PK10BHL
50	57,5	50	35	52,5	20,3		17	1000	3000	5,8	35	8,9	20	1,2	K1F8005004PK11BHL
55	42	60	45	37,5	20,3		32,5	1925	5775	3,4	30	4,2	35	1,2	K1F8005504PK10BHL
55	57,5	50	35	52,5	20,3		19	1100	3300	5,5	35	7,6	20	1,2	K1F8005504PK11BHL
60	42	60	45	37,5	20,3		34	2100	6300	3,2	30	4,1	35	1,2	K1F8006004PK10BHL
60	57,5	50	35	52,5	20,3		21	1200	3600	4,8	35	7,1	20	1,2	K1F8006004PK11BHL
65	42	60	45	37,5	20,3		35	2275	6825	2,8	30	4,4	35	1,2	K1F8006504PK10BHL
65	57,5	55	45	52,5	20,3		22,5	1300	3900	4,6	35	6,4	20	1,2	K1F8006504PK11BHL
70	57,5	55	45	52,5	20,3		24	1400	4200	4,5	35	5,8	20	1,2	K1F8007004PK10BHL
75	57,5	55	45	52,5	20,3		25,5	1500	4500	4,3	35	5,4	20	1,2	K1F8007504PK10BHL
80	57,5	55	45	52,5	20,3		26	1600	4800	4,2	35	5,3	20	1,2	K1F8008004PK10BHL
90	57,5	55	45	52,5	20,3		27,5	1800	5400	4,0	35	5,0	20	1,2	K1F8009004PK10BHL
100	57,5	65	45	52,5	20,3		31,5	2000	6000	3,2	35	4,7	20	1,2	K1F8001014PK10BHL
110	57,5	65	45	52,5	20,3		34	2200	6600	3,0	35	4,3	20	1,2	K1F8001114PK10BHL

RATED  
VOLTAGE  
800VDC

## K1F TYPE STANDARD RATINGS

RATED  
VOLTAGE  
900VDC

Cap Value μF	Dimensions (mm)					P1	Irms Max	Peak	Surge	ESR <sup>Typical</sup>	ESL	Thermal	dv/dt	Lead Wire	PART NUMBER
	W	H	T	P	A(10KHz)		70°C	Current	Current	Current		mΩ			
1	32	18	9	27,5	/		2	70	210	65,0	25	57,7	70	0,8	K1F9001D02PK10BHL
2	32	20	11	27,5	/		3,2	140	420	38,0	25	38,5	70	0,8	K1F9002D02PK10BHL
3	32	22	13	27,5	/		4,8	210	630	30,0	25	21,7	70	0,8	K1F9003D02PK10BHL
4	32	24,5	15	27,5	/		6	280	840	20,5	25	20,3	70	0,8	K1F9004D02PK10BHL
5	32	30	16	27,5	/		7,5	350	1050	12,0	25	22,2	70	0,8	K1F9005D02PK10BHL
5	42	30	17	37,5	/		3,8	175	525	28,0	28	37,1	35	1,0	K1F9005D02PK11BHL
6	32	33	18	27,5	/		7,8	420	1260	11,5	25	21,4	70	0,8	K1F9006D02PK10BHL
6	42	30	17	37,5	/		4,5	210	630	25,0	28	29,6	35	1,0	K1F9006D02PK11BHL
7	32	33	18	27,5	/		10,5	490	1470	10,2	25	13,3	70	0,8	K1F9007D02PK10BHL
7	42	30	17	37,5	/		5	245	735	22,0	28	27,3	35	1,0	K1F9007D02PK11BHL
8	32	37	22	27,5	/		11,5	560	1680	9,5	25	11,9	70	0,8	K1F9008D02PK10BHL
8	32	37	22	27,5	10,2		12,5	560	1680	9,0	25	10,7	70	1,0	K1F9008D04PK10BHL
8	42	32	19	37,5	/		6	280	840	19,5	28	21,4	35	1,0	K1F9008D02PK11BHL
9	32	37	22	27,5	/		11,8	630	1890	9,7	25	11,1	70	0,8	K1F9009D02PK10BHL
9	32	37	22	27,5	10,2		14	630	1890	7,8	25	9,8	70	1,0	K1F9009D04PK10BHL
10	32	37	22	27,5	/		12	700	2100	9,5	25	11,0	70	0,8	K1F9001002PK10BHL
10	32	37	22	27,5	10,2		15,5	700	2100	7,2	25	8,7	70	1,0	K1F9001004PK10BHL
10	42	40	20	37,5	10,2		7,5	350	1050	13,0	30	20,5	35	1,2	K1F9001004PK11BHL
12	42	37	22	37,5	10,2		9	420	1260	11,5	30	16,1	35	1,2	K1F9001204PK10BHL
15	42	44	24	37,5	10,2		10,5	525	1575	10,5	30	13,0	35	1,2	K1F9001504PK10BHL
15	57,5	45	25	52,5	10,2		5,5	300	900	22,0	35	22,5	20	1,2	K1F9001504PK11BHL
18	42	44	24	37,5	10,2		13	630	1890	8,8	30	10,1	35	1,2	K1F9001804PK10BHL
20	42	44	24	37,5	10,2		14,5	700	2100	7,5	30	9,5	35	1,2	K1F9002004PK10BHL
20	57,5	45	25	52,5	10,2		7,5	400	1200	13,5	35	19,8	20	1,2	K1F9002004PK11BHL
25	42	45	30	37,5	20,3		17,5	875	2625	6,2	30	7,9	35	1,2	K1F9002504PK10BHL
25	57,5	45	25	52,5	10,2		9	500	1500	11,5	35	16,1	20	1,2	K1F9002504PK11BHL
30	42	50	35	37,5	20,3		21,5	1050	3150	5,0	30	6,5	35	1,2	K1F9003004PK10BHL
30	57,5	45	30	52,5	20,3		11	600	1800	10,0	35	12,4	20	1,2	K1F9003004PK11BHL
35	42	55	40	37,5	20,3		23	1225	3675	4,6	30	6,2	35	1,2	K1F9003504PK10BHL
35	57,5	45	30	52,5	20,3		12,5	700	2100	9,0	35	10,7	20	1,2	K1F9003504PK11BHL
40	42	55	40	37,5	20,3		26,5	1400	4200	3,9	30	5,5	35	1,2	K1F9004004PK10BHL
40	57,5	50	35	52,5	20,3		14,5	800	2400	7,5	35	9,5	20	1,2	K1F9004004PK11BHL
45	42	60	45	37,5	20,3		30	1575	4725	3,4	30	4,9	35	1,2	K1F9004504PK10BHL
45	57,5	50	35	52,5	20,3		16	900	2700	6,8	35	8,6	20	1,2	K1F9004504PK11BHL
50	42	60	45	37,5	20,3		33,5	1750	5250	3,0	30	4,5	35	1,2	K1F9005004PK10BHL
50	57,5	50	35	52,5	20,3		18	1000	3000	6,4	35	7,2	20	1,2	K1F9005004PK11BHL
55	57,5	55	45	52,5	20,3		20	1100	3300	5,6	35	6,7	20	1,2	K1F9005504PK10BHL
60	57,5	55	45	52,5	20,3		21,5	1200	3600	4,8	35	6,8	20	1,2	K1F9006004PK10BHL
65	57,5	55	45	52,5	20,3		23	1300	3900	4,5	35	6,3	20	1,2	K1F9006504PK10BHL
70	57,5	65	45	52,5	20,3		25	1400	4200	4,0	35	6,0	20	1,2	K1F9007004PK10BHL
75	57,5	65	45	52,5	20,3		25,5	1500	4500	3,9	35	5,9	20	1,2	K1F9007504PK10BHL
80	57,5	65	45	52,5	20,3		26,5	1600	4800	3,8	35	5,6	20	1,2	K1F9008004PK10BHL
85	57,5	65	45	52,5	20,3		28,5	1700	5100	3,6	35	5,1	20	1,2	K1F9008504PK10BHL

## K1F TYPE STANDARD RATINGS

Cap Value μF	Dimensions (mm)					P1	I <sub>rms</sub> Max 70°C A(10KHz)	Peak Current A	Surge Current A	ESR <sup>Typical</sup> 10KHz mΩ	ESL nH	Thermal Res °C/W	dv/dt V/us	Lead Wire mm	PART NUMBER
	W	H	T	P	P1										
1	32	18	9	27,5	/	2	70	210	65,0	25	57,7	70	0,8	K1F9001D02PK10BHL	
2	32	20	11	27,5	/	3,2	140	420	38,0	25	38,5	70	0,8	K1F9002D02PK10BHL	
3	32	22	13	27,5	/	4,8	210	630	30,0	25	21,7	70	0,8	K1F9003D02PK10BHL	
4	32	24,5	15	27,5	/	6	280	840	20,5	25	20,3	70	0,8	K1F9004D02PK10BHL	
5	32	30	16	27,5	/	7,5	350	1050	12,0	25	22,2	70	0,8	K1F9005D02PK10BHL	
5	42	30	17	37,5	/	3,8	175	525	28,0	28	37,1	35	1,0	K1F9005D02PK11BHL	
6	32	33	18	27,5	/	7,8	420	1260	11,5	25	21,4	70	0,8	K1F9006D02PK10BHL	
6	42	30	17	37,5	/	4,5	210	630	25,0	28	29,6	35	1,0	K1F9006D02PK11BHL	
7	32	33	18	27,5	/	10,5	490	1470	10,2	25	13,3	70	0,8	K1F9007D02PK10BHL	
7	42	30	17	37,5	/	5	245	735	22,0	28	27,3	35	1,0	K1F9007D02PK11BHL	
8	32	37	22	27,5	/	11,5	560	1680	9,5	25	11,9	70	0,8	K1F9008D02PK10BHL	
8	32	37	22	27,5	10,2	12,5	560	1680	9,0	25	10,7	70	1,0	K1F9008D04PK10BHL	
8	42	32	19	37,5	/	6	280	840	19,5	28	21,4	35	1,0	K1F9008D02PK11BHL	
9	32	37	22	27,5	/	11,8	630	1890	9,7	25	11,1	70	0,8	K1F9009D02PK10BHL	
9	32	37	22	27,5	10,2	14	630	1890	7,8	25	9,8	70	1,0	K1F9009D04PK10BHL	
10	32	37	22	27,5	/	12	700	2100	9,5	25	11,0	70	0,8	K1F9001002PK10BHL	
10	32	37	22	27,5	10,2	15,5	700	2100	7,2	25	8,7	70	1,0	K1F9001004PK10BHL	
10	42	40	20	37,5	10,2	7,5	350	1050	13,0	30	20,5	35	1,2	K1F9001004PK11BHL	
12	42	37	22	37,5	10,2	9	420	1260	11,5	30	16,1	35	1,2	K1F9001204PK10BHL	
15	42	44	24	37,5	10,2	10,5	525	1575	10,5	30	13,0	35	1,2	K1F9001504PK10BHL	
15	57,5	45	25	52,5	10,2	5,5	300	900	22,0	35	22,5	20	1,2	K1F9001504PK11BHL	
18	42	44	24	37,5	10,2	13	630	1890	8,8	30	10,1	35	1,2	K1F9001804PK10BHL	
20	42	44	24	37,5	10,2	14,5	700	2100	7,5	30	9,5	35	1,2	K1F9002004PK10BHL	
20	57,5	45	25	52,5	10,2	7,5	400	1200	13,5	35	19,8	20	1,2	K1F9002004PK11BHL	
25	42	45	30	37,5	20,3	17,5	875	2625	6,2	30	7,9	35	1,2	K1F9002504PK10BHL	
25	57,5	45	25	52,5	10,2	9	500	1500	11,5	35	16,1	20	1,2	K1F9002504PK11BHL	
30	42	50	35	37,5	20,3	21,5	1050	3150	5,0	30	6,5	35	1,2	K1F9003004PK10BHL	
30	57,5	45	30	52,5	20,3	11	600	1800	10,0	35	12,4	20	1,2	K1F9003004PK11BHL	
35	42	55	40	37,5	20,3	23	1225	3675	4,6	30	6,2	35	1,2	K1F9003504PK10BHL	
35	57,5	45	30	52,5	20,3	12,5	700	2100	9,0	35	10,7	20	1,2	K1F9003504PK11BHL	
40	42	55	40	37,5	20,3	26,5	1400	4200	3,9	30	5,5	35	1,2	K1F9004004PK10BHL	
40	57,5	50	35	52,5	20,3	14,5	800	2400	7,5	35	9,5	20	1,2	K1F9004004PK11BHL	
45	42	60	45	37,5	20,3	30	1575	4725	3,4	30	4,9	35	1,2	K1F9004504PK10BHL	
45	57,5	50	35	52,5	20,3	16	900	2700	6,8	35	8,6	20	1,2	K1F9004504PK11BHL	
50	42	60	45	37,5	20,3	33,5	1750	5250	3,0	30	4,5	35	1,2	K1F9005004PK10BHL	
50	57,5	50	35	52,5	20,3	18	1000	3000	6,4	35	7,2	20	1,2	K1F9005004PK11BHL	
55	57,5	55	45	52,5	20,3	20	1100	3300	5,6	35	6,7	20	1,2	K1F9005504PK10BHL	
60	57,5	55	45	52,5	20,3	21,5	1200	3600	4,8	35	6,8	20	1,2	K1F9006004PK10BHL	
65	57,5	55	45	52,5	20,3	23	1300	3900	4,5	35	6,3	20	1,2	K1F9006504PK10BHL	
70	57,5	65	45	52,5	20,3	25	1400	4200	4,0	35	6,0	20	1,2	K1F9007004PK10BHL	

**RATED  
VOLTAGE  
1000VDC**

## K1F TYPE STANDARD RATINGS

**RATED  
VOLTAGE  
110VDC**

Cap Value μF	Dimensions (mm)					P1	I <sub>rms</sub> Max 70°C A(10KHz)	Peak Current A	Surge Current A	ESR <sup>Typical</sup> 10KHz mΩ	ESL nH	Thermal Res °C/W	dv/dt V/us	Lead Wire mm	PART NUMBER
	W	H	T	P	P1										
1	32	20	11	27,5	/		2,2	80	240	65,0	25	47,7	80	0,8	K1F1111D02PK10BHL
1,5	32	22	13	27,5	/		2,5	120	360	46,0	25	52,2	80	0,8	K1F1111D52PK10BHL
2	32	24,5	13	27,5	/		4,8	160	480	24,5	25	26,6	80	0,8	K1F1112D02PK10BHL
3	32	30	16	27,5	/		6,5	240	720	18,5	25	19,2	80	0,8	K1F1113D02PK10BHL
3	42	30	17	37,5	/		2,5	120	360	46,0	28	52,2	40	1,0	K1F1113D02PK11BHL
4	32	33	18	27,5	/		8,5	320	960	12,5	25	16,6	80	0,8	K1F1114D02PK10BHL
4	42	30	17	37,5	/		3,5	160	480	32,5	28	37,7	40	1,0	K1F1114D02PK11BHL
4,7	42	32	19	37,5	/		4	188	564	28,0	28	33,5	40	1,0	K1F1114D72PK10BHL
5	32	37	22	27,5	/		9,8	400	1200	10,8	25	14,5	80	0,8	K1F1115D02PK10BHL
5	32	37	22	27,5	10,2		10,5	400	1200	10,5	25	13,0	80	1,0	K1F1115D04PK10BHL
5	42	32	19	37,5	/		4,2	200	600	26,0	28	32,7	40	1,0	K1F1115D02PK11BHL
6	32	37	22	27,5	/		10,5	480	1440	10,5	25	13,0	80	0,8	K1F1116D02PK10BHL
6	32	37	22	27,5	10,2		13	480	1440	8,8	25	10,1	80	1,0	K1F1116D04PK10BHL
6	42	32	19	37,5	/		5	240	720	23,5	28	25,5	40	1,0	K1F1116D02PK11BHL
7	42	40	20	37,5	10,2		6	280	840	18,5	30	22,5	40	1,2	K1F1117D04PK10BHL
8	42	37	22	37,5	10,2		6,5	320	960	16,5	30	21,5	40	1,2	K1F1118D04PK10BHL
9	42	37	22	37,5	10,2		7,5	360	1080	13,0	30	20,5	40	1,2	K1F1119D04PK10BHL
10	42	44	24	37,5	10,2		8,5	400	1200	12,0	30	17,3	40	1,2	K1F1111004PK10BHL
12	42	44	24	37,5	10,2		10	480	1440	10,8	30	13,9	40	1,2	K1F1111204PK10BHL
14	42	45	30	37,5	20,3		12	560	1680	9,5	30	11,0	40	1,2	K1F1111404PK10BHL
15	42	45	30	37,5	20,3		13	600	1800	8,5	30	10,4	40	1,2	K1F1111504PK10BHL
15	57,5	45	25	52,5	10,2		6,5	300	900	16,5	35	21,5	20	1,2	K1F1111504PK11BHL
18	42	50	35	37,5	20,3		15	720	2160	7,0	30	9,5	40	1,2	K1F1111804PK10BHL
20	42	50	35	37,5	20,3		16,5	800	2400	6,5	30	8,5	40	1,2	K1F1112004PK10BHL
20	57,5	45	30	52,5	20,3		9	400	1200	11,5	35	16,1	20	1,2	K1F1112004PK11BHL
25	42	55	40	37,5	20,3		20,5	1000	3000	5,0	30	7,1	40	1,2	K1F1112504PK10BHL
25	57,5	50	35	52,5	20,3		11	500	1500	10,0	35	12,4	20	1,2	K1F1112504PK11BHL
30	42	60	45	37,5	20,3		24,5	1200	3600	4,3	30	5,8	40	1,2	K1F1113004PK10BHL
30	57,5	50	35	52,5	20,3		13	600	1800	8,6	35	10,3	20	1,2	K1F1113004PK11BHL
35	57,5	55	45	52,5	20,3		14,5	700	2100	7,5	35	9,5	20	1,2	K1F1113504PK10BHL
40	57,5	55	45	52,5	20,3		16	800	2400	6,8	35	8,6	20	1,2	K1F1114004PK10BHL
45	57,5	55	45	52,5	20,3		17,5	900	2700	6,2	35	7,9	20	1,2	K1F1114504PK10BHL
50	57,5	65	45	52,5	20,3		19,5	1000	3000	5,6	35	7,0	20	1,2	K1F1115004PK10BHL
55	57,5	65	45	52,5	20,3		21,5	1100	3300	4,8	35	6,8	20	1,2	K1F1115504PK10BHL

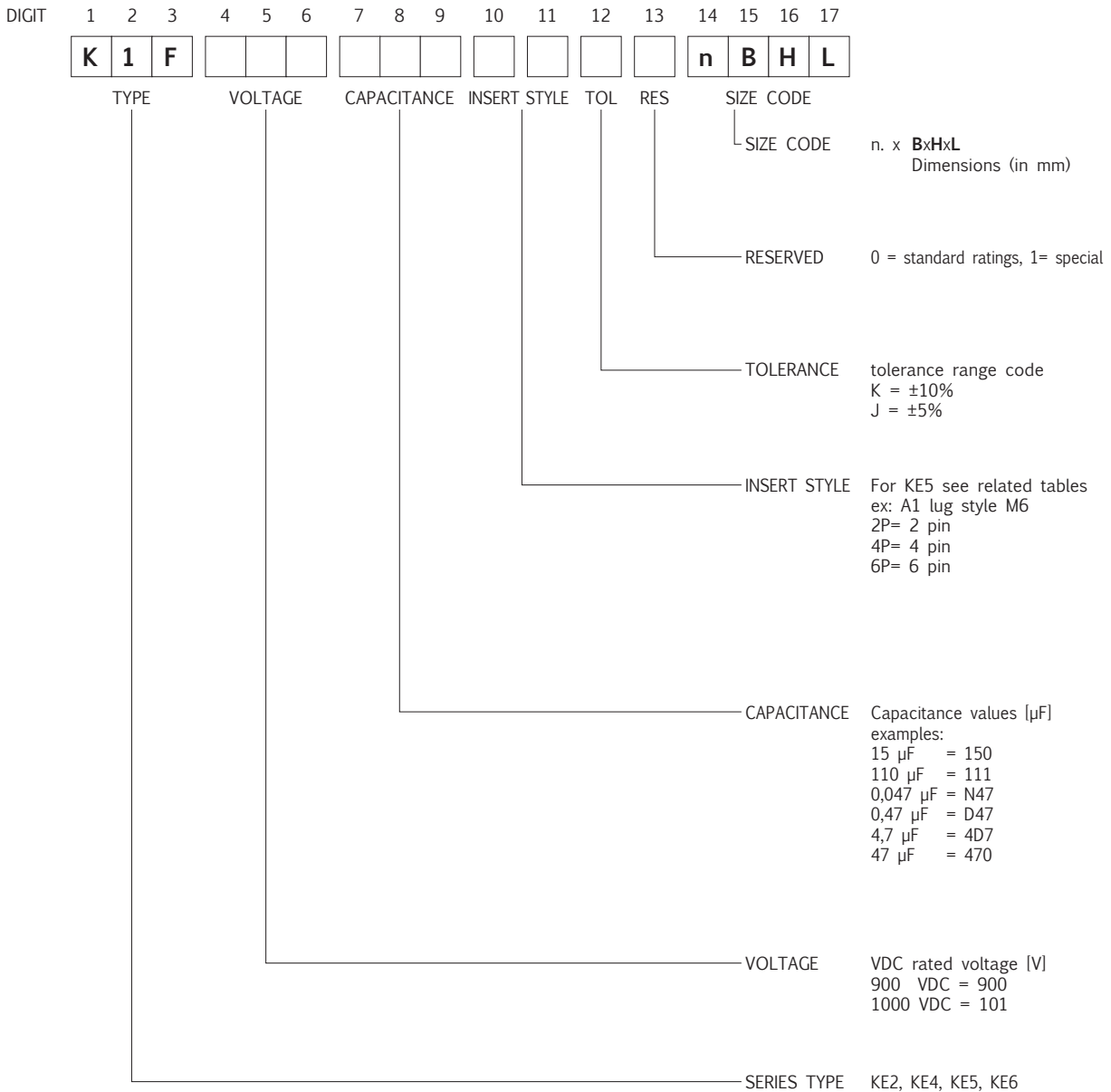
## K1F TYPE STANDARD RATINGS

Cap Value μF	Dimensions (mm)					I <sub>rms</sub> Max 70°C A(10Khz)	Peak Current A	Surge Current A	ESR <sup>Typical</sup> 10KHz mΩ	ESL nH	Thermal Res °C/W	dv/dt V/us	Lead Wire mm	PART NUMBER
	W	H	T	P	P1									
1	32	20	11	27,5	/	3,5	90	270	35,0	25	35,0	90	0,8	K1F1211D02PK10BHL
2	32	24,5	15	27,5	/	5	180	540	24,0	25	25,0	90	0,8	K1F1212D02PK10BHL
3	32	30	16	27,5	/	7,5	270	810	13,0	25	20,5	90	0,8	K1F1213D02PK10BHL
3	42	30	17	37,5	/	3,2	135	405	35,0	28	41,9	45	1,0	K1F1213D02PK11BHL
4	32	33	18	27,5	/	9,5	360	1080	11,0	25	15,1	90	0,8	K1F1214D02PK10BHL
4	42	30	17	37,5	/	4,2	180	540	28,0	28	30,4	45	1,0	K1F1214D02PK11BHL
5	32	37	22	27,5	/	10,5	450	1350	10,5	25	13,0	90	0,8	K1F1215D02PK10BHL
5	32	37	22	27,5	10,2	12	450	1350	9,5	25	11,0	90	1,0	K1F1215D04PK10BHL
5	42	32	19	37,5	/	5,5	225	675	21,5	28	23,1	45	1,0	K1F1215D02PK11BHL
6	42	40	20	37,5	10,2	6,5	270	810	16,5	30	21,5	45	1,2	K1F1216D04PK10BHL
7	42	37	22	37,5	10,2	7,5	315	945	13,0	30	20,5	45	1,2	K1F1217D04PK10BHL
8	42	44	24	37,5	10,2	8,5	360	1080	12,0	30	17,3	45	1,2	K1F1218D04PK10BHL
9	42	44	24	37,5	10,2	10	405	1215	10,8	30	13,9	45	1,2	K1F1219D04PK10BHL
10	42	44	24	37,5	10,2	11	450	1350	10,0	30	12,4	45	1,2	K1F1211004PK10BHL
12	42	45	30	37,5	20,3	13	540	1620	8,5	30	10,4	45	1,2	K1F1211204PK10BHL
12	57,5	45	25	52,5	10,2	6,5	300	900	16,5	35	21,5	25	1,2	K1F1211204PK11BHL
15	42	50	35	37,5	20,3	16	675	2025	6,8	30	8,6	45	1,2	K1F1211504PK10BHL
15	57,5	45	25	52,5	10,2	7,5	375	1125	13,0	35	20,5	25	1,2	K1F1211504PK11BHL
18	42	50	35	37,5	20,3	18	810	2430	6,2	30	7,5	45	1,2	K1F1211804PK10BHL
20	42	55	40	37,5	20,3	20	900	2700	5,5	30	6,8	45	1,2	K1F1212004PK10BHL
20	57,5	45	30	52,5	20,3	11	500	1500	10,0	35	12,4	25	1,2	K1F1212004PK11BHL
25	42	60	45	37,5	20,3	25	1125	3375	4,3	30	5,6	45	1,2	K1F1212504PK10BHL
25	57,5	50	35	52,5	20,3	13	625	1875	8,6	35	10,3	25	1,2	K1F1212504PK11BHL
30	57,5	55	45	52,5	20,3	14,5	750	2250	7,5	35	9,5	25	1,2	K1F1213004PK10BHL
35	57,5	55	45	52,5	20,3	16	875	2625	6,8	35	8,6	25	1,2	K1F1213504PK10BHL
40	57,5	65	45	52,5	20,3	20	1000	3000	5,5	35	6,8	25	1,2	K1F1214004PK10BHL
45	57,5	65	45	52,5	20,3	22,5	1125	3375	4,8	35	6,2	25	1,2	K1F1214504PK10BHL
30	57,5	45	30	52,5	20,3	11	600	1800	10,0	35	12,4	20	1,2	K1F9003004PK11BHL
35	42	55	40	37,5	20,3	23	1225	3675	4,6	30	6,2	35	1,2	K1F9003504PK10BHL
35	57,5	45	30	52,5	20,3	12,5	700	2100	9,0	35	10,7	20	1,2	K1F9003504PK11BHL
40	42	55	40	37,5	20,3	26,5	1400	4200	3,9	30	5,5	35	1,2	K1F9004004PK10BHL
40	57,5	50	35	52,5	20,3	14,5	800	2400	7,5	35	9,5	20	1,2	K1F9004004PK11BHL
45	42	60	45	37,5	20,3	30	1575	4725	3,4	30	4,9	35	1,2	K1F9004504PK10BHL

**RATED  
VOLTAGE  
1200VDC**

## PART NUMBER SYSTEM FOR METALLIZED POLYPROPYLENE FILM CAPACITORS

New PART-NUMBER CODE in use since Sep 2010. Total length is 17 digits.  
Please see examples below and have a reference code from the standard ratings capacitors pages.

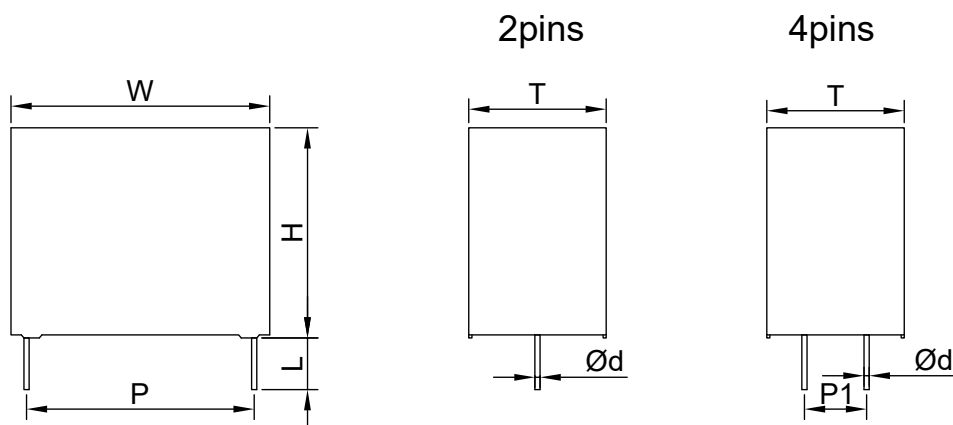


## K3F TYPE -55 +105°C 100000H

### Overview

The K3F series is a miniaturized metallized polypropylene film constructed with epoxy resin in a plastic box, with 2 or 4 tinned copper wire. This K3F series is suitable for harsh environment condition and qualify in accordance to AEC-Q200 requirement.

<b>Applications</b>	Widely used in high performance DC Link, DC filtering, frequency converter, industrial power supply, solar inverter, energy storage, OBC, DC-DC converter and automotive applications.
<b>Reference standard</b>	IEC 61071, AECQ-200
<b>Construction</b>	Metallized Polypropylene Film
<b>Coating</b>	Plastic Box
<b>Terminals</b>	Tinned Copper Terminal Wires
<b>Operating temperature range</b>	-55°C to +105°C
<b>Capacitance</b>	1.0μF to 220μF
<b>Rated Voltage</b>	500 to 1200 VDC
<b>Tolerance</b>	±5% or ±10% at +25°C
<b>Dissipation Factor</b>	≤0.002 (0.2%) at 1KHz; C ≤20μF at 25°C ≤0.003 (0.3%) at 1KHz; C >20μF at 25°C ≤0.004 (0.4%) at 1KHz; C >80μF at 25°C
<b>Operative Voltage Derating</b>	Symbol Voltage (VDC)
<b>Rated Voltage at 85°C (THS)</b>	$V_{NDC}$ 500 550 700 800 900 1000 1100 1200
<b>Rated Voltage at 105°C (THS)</b>	$V_{OP105}$ 365 402 511 584 657 730 803 876
<b>Life Expectancy</b>	100,000 hours ( $V_{NDC}$ , $\Theta_{hotspot} = 85^\circ\text{C}$ ) 40,000 hours ( $V_{OP105}$ , $\Theta_{hotspot} = 105^\circ\text{C}$ ) 500 hours ( $0.6 \times V_{NDC}$ , $\Theta_{hotspot} = 115^\circ\text{C}$ ) 200 hours ( $0.5 \times V_{NDC}$ , $\Theta_{hotspot} = 125^\circ\text{C}$ )
<b>Dielectric strength</b>	1.5 x VR VDC for 10 seconds @ +25°C ± 5°C
<b>Test Voltage terminal to case</b>	3000VAC, 50/60Hz 60s (at +25 ± 5°C)
<b>Insulation Resistance</b>	IR xC≥30,000 s at 100vdc 1minute at +25°C



## K3F TYPE STANDARD RATINGS

RATED  
VOLTAGE  
500VDC

Cap Value μF	Dimensions (mm)					I <sub>rms</sub> Max 75°C A(10KHz)	Peak Current A	Surge Current A	ESR <sup>Typical</sup> 10KHz mΩ	ESL nH	Thermal Res °C/W	dv/dt V/us	Lead Wire mm	PART NUMBER
	W	H	T	P	P1									
3,3	32	18	9	27,5	/	4,7	215	644	22,1	12	41,7	65	0,8	K3F5003D32PK10BHL
4	32	18	9	27,5	/	5,1	260	780	18,2	12	41,7	65	0,8	K3F5004D02PK10BHL
5	32	20	11	27,5	/	6,2	325	975	14,6	14	35,7	65	0,8	K3F5005D02PK10BHL
6	32	20	11	27,5	/	6,8	390	1170	12,1	14	35,7	65	0,8	K3F5006D02PK10BHL
7	32	22	13	27,5	/	7,6	455	1365	10,4	15	33,3	65	0,8	K3F5007D02PK10BHL
8	32	22	13	27,5	/	8,1	520	1560	9,1	15	33,3	65	0,8	K3F5008D02PK10BHL
10	32	24,5	13	27,5	/	9,4	650	1950	7,3	16	31,3	65	0,8	K3F5001002PK10BHL
12	32	28	14	27,5	/	10,9	780	2340	6,1	18	27,8	65	0,8	K3F5001202PK10BHL
13	32	28	14	27,5	/	11,3	845	2535	5,6	18	27,8	65	0,8	K3F5001302PK10BHL
14	32	30	16	27,5	/	12,1	910	2730	5,2	18	26,3	65	0,8	K3F5001402PK10BHL
15	32	30	16	27,5	/	12,5	975	2925	4,9	18	26,3	65	0,8	K3F5001502PK10BHL
15	32	28	18	27,5	/	12,7	975	2925	5,2	19	23,8	65	0,8	K3F5001502PK11BHL
16	32	28	18	27,5	/	13,6	1040	3120	4,6	19	23,8	65	0,8	K3F5001602PK10BHL
18	32	33	18	27,5	/	14,6	1170	3510	4,3	21	21,7	65	0,8	K3F5001802PK10BHL
20	32	33	18	27,5	/	15,4	1300	3900	3,9	21	21,7	65	0,8	K3F5002002PK10BHL
20	42	28	17	37,5	/	10,9	700	2100	8,4	12	20,0	35	1,0	K3F5002002PK11BHL
22	32	37	22	27,5	/	16,5	1430	4290	4,3	23	17,2	65	0,8	K3F5002202PK10BHL
25	32	37	22	27,5	/	17,6	1625	4875	3,7	23	17,2	65	0,8	K3F5002502PK10BHL
25	42	32	19	37,5	/	12,9	875	2625	6,8	13	17,9	35	1,0	K3F5002502PK11BHL
28	32	37	22	27,5	/	18,6	1820	5460	3,3	23	17,2	65	0,8	K3F5002802PK10BHL
30	42	37	22	37,5	10,2	15,8	1050	3150	5,6	14	14,3	35	1,2	K3F5003004PK10BHL
35	42	37	22	37,5	10,2	17,0	1225	3675	4,8	14	14,3	35	1,2	K3F5003504PK10BHL
40	42	40	20	37,5	10,2	18,5	1400	4200	4,2	14	13,9	35	1,2	K3F5004004PK10BHL
40	42	37	22	37,5	10,2	18,2	1400	4200	4,2	14	14,3	35	1,2	K3F5004004PK11BHL
50	42	37	28	37,5	10,2	22,0	1750	5250	3,4	15	12,2	35	1,2	K3F5005004PK10BHL
55	42	44	24	37,5	10,2	23,1	1925	5775	3,1	15	12,2	35	1,2	K3F5005504PK10BHL
60	42	43	28	37,5	10,2	24,6	2100	6300	2,8	16	11,8	35	1,2	K3F5006004PK10BHL
65	42	45	30	37,5	20,3	27,7	2275	6825	2,6	16	10,0	35	1,2	K3F5006504PK10BHL
70	42	45	30	37,5	20,3	28,8	2450	7350	2,4	16	10,0	35	1,2	K3F5007004PK10BHL
80	42	45	35	37,5	20,3	32,3	2800	8400	2,1	17	9,1	35	1,2	K3F5008004PK10BHL
80	57,5	45	25	52,5	10,2	21,2	1600	4800	4,9	14	9,1	20	1,2	K3F5008004PK11BHL
90	42	50	35	37,5	20,3	33,5	3150	9450	2,1	17	8,3	35	1,2	K3F5009004PK10BHL
100	57,5	45	30	52,5	20,3	25,3	2000	6000	3,9	15	8,0	20	1,2	K3F5001014PK10BHL
110	42	55	40	37,5	20,3	35,2	3850	11550	2,1	18	7,7	35	1,2	K3F5001114PK10BHL
110	42	57	38	37,5	20,3	35,2	3850	11550	2,1	18	7,7	35	1,2	K3F5001114PK11BHL
120	42	55	40	37,5	20,3	36,8	4200	12600	1,9	18	7,7	35	1,2	K3F5001214PK10BHL
130	57,5	50	35	52,5	20,3	31,1	2600	7800	3,0	17	6,9	20	1,2	K3F5001314PK10BHL
140	42	60	45	37,5	20,3	41,2	4900	14700	1,6	20	7,1	35	1,2	K3F5001414PK10BHL
160	57,5	60	35	52,5	20,3	36,8	3200	9600	2,4	18	6,1	20	1,2	K3F5001614PK10BHL
170	57,5	55	45	52,5	20,3	36,5	3400	10200	2,5	18	6,1	20	1,2	K3F5001714PK10BHL
180	57,5	65	35	52,5	20,3	38,6	3600	10800	2,4	18	5,7	20	1,2	K3F5001814PK10BHL
180	57,5	55	45	52,5	20,3	39,6	3600	10800	2,4	19	5,4	20	1,2	K3F5001814PK11BHL
210	57,5	65	45	52,5	20,3	44,0	4200	12600	2,0	20	5,1	20	1,2	K3F5002114PK10BHL
220	57,5	65	45	52,5	20,3	45,0	4400	13200	1,9	20	5,1	20	1,2	K3F5002214PK10BHL

## K3F TYPE STANDARD RATINGS

RATED  
VOLTAGE  
550VDC

Cap Value μF	Dimensions (mm)					I <sub>rms</sub> Max 75°C A(10Khz)	Peak Current A	Surge Current A	ESR <sup>Typical</sup> 10KHz mΩ	ESL nH	Thermal Res °C/W	dv/dt V/us	Lead Wire mm	PART NUMBER
	W	H	T	P	P1									
3	32	18	9	27,5	/	4,7	195	585	21,9	12	41,7	65	0,8	K3F5503D02PK10BHL
4	32	20	11	27,5	/	5,8	260	780	16,4	14	35,7	65	0,8	K3F5504D02PK10BHL
5	32	22	13	27,5	/	6,8	325	975	13,1	15	33,3	65	0,8	K3F5505D02PK10BHL
6	32	22	13	27,5	/	7,4	390	1170	10,9	15	33,3	65	0,8	K3F5506D02PK10BHL
7	32	24	14	27,5	/	8,5	455	1365	9,4	17	29,4	65	0,8	K3F5507D02PK10BHL
8	32	24	14	27,5	/	9,1	520	1560	8,2	17	29,4	65	0,8	K3F5508D02PK10BHL
9	32	28	14	27,5	/	9,9	585	1755	7,3	18	27,8	65	0,8	K3F5509D02PK10BHL
10	32	28	14	27,5	/	10,5	650	1950	6,6	18	27,8	65	0,8	K3F5501002PK10BHL
12	32	30	16	27,5	/	11,8	780	2340	5,5	18	26,3	65	0,8	K3F5501202PK10BHL
12	32	28	18	27,5	/	12,4	780	2340	5,5	18	23,8	65	0,8	K3F5501202PK11BHL
15	32	33	18	27,5	/	14,5	975	2925	4,4	19	21,7	65	0,8	K3F5501502PK10BHL
20	32	37	22	27,5	/	16,6	1300	3900	4,2	19	17,2	65	0,8	K3F5502002PK10BHL
22	32	37	22	27,5	/	17,4	1430	4290	3,8	23	17,2	65	0,8	K3F5502202PK10BHL
30	42	37	22	37,5	10,2	16,6	1050	3150	5,1	23	14,3	35	1,2	K3F5503004PK10BHL
40	42	44	24	37,5	10,2	20,8	1400	4200	3,8	14	12,2	35	1,2	K3F5504004PK10BHL
50	42	43	28	37,5	10,2	23,6	1750	5250	3,0	15	11,8	35	1,2	K3F5505004PK10BHL
60	42	45	30	37,5	20,3	28,1	2100	6300	2,5	16	10,0	35	1,2	K3F5506004PK10BHL
70	42	50	35	37,5	20,3	31,2	2450	7350	2,5	17	8,3	35	1,2	K3F5507004PK10BHL
70	57,5	45	25	52,5	10,2	20,9	1400	4200	5,0	14	9,1	20	1,2	K3F5507004PK11BHL
80	42	55	40	37,5	20,3	31,7	2800	8400	2,6	18	7,7	35	1,2	K3F5508004PK10BHL
80	57,5	45	30	52,5	20,3	23,9	1600	4800	4,4	15	8,0	20	1,2	K3F5508004PK11BHL
90	42	55	40	37,5	20,3	33,6	3150	9450	2,3	18	7,7	35	1,2	K3F5509004PK10BHL
90	57,5	50	35	52,5	20,3	27,3	1800	5400	3,9	17	6,9	20	1,2	K3F5509004PK11BHL
100	42	55	40	37,5	20,3	35,4	3500	10500	2,1	18	7,7	35	1,2	K3F5501014PK10BHL
110	42	60	45	37,5	20,3	38,5	3850	11550	1,9	20	7,1	35	1,2	K3F5501114PK10BHL
110	57,5	50	35	52,5	20,3	30,1	2200	6600	3,2	17	6,9	20	1,2	K3F5501114PK11BHL
120	42	60	45	37,5	20,3	40,3	4200	12600	1,7	20	7,1	35	1,2	K3F5501214PK10BHL
130	57,5	60	35	52,5	20,3	34,9	2600	7800	2,7	18	6,1	20	1,2	K3F5501314PK10BHL
140	57,5	60	35	52,5	20,3	36,3	2800	8400	2,5	18	6,1	20	1,2	K3F5501414PK10BHL
140	57,5	65	35	52,5	20,3	35,8	2800	8400	2,7	18	5,7	20	1,2	K3F5501414PK11BHL
140	57,5	55	45	52,5	20,3	36,9	2800	8400	2,7	19	5,4	20	1,2	K3F5501414PK12BHL
150	57,5	55	45	52,5	20,3	38,1	3000	9000	2,5	19	5,4	20	1,2	K3F5501514PK10BHL
170	57,5	65	45	52,5	20,3	41,7	3400	10200	2,2	20	5,1	20	1,2	K3F5501714PK10BHL
190	57,5	65	45	52,5	20,3	44,1	3800	11400	2,0	20	5,1	20	1,2	K3F5501914PK10BHL

## K3F TYPE STANDARD RATINGS

RATED  
VOLTAGE  
700VDC

Cap Value $\mu\text{F}$	Dimensions (mm)					I <sub>rms</sub> Max 75°C A(10KHz)	Peak Current A	Surge Current A	ESR <sup>Typical</sup> 10KHz m $\Omega$	ESL nH	Thermal Res $^{\circ}\text{C}/\text{W}$	dv/dt V/us	Lead Wire mm	PART NUMBER
	W	H	T	P	P1									
2	32	18	9	27,5	/	4,1	130	390	28,1	12	41,7	65	0,8	K3F7002D02PK10BHL
3	32	20	11	27,5	/	5,5	195	585	18,7	14	35,7	65	0,8	K3F7003D02PK10BHL
3,3	32	20	11	27,5	/	5,7	195	585	17,0	14	35,7	65	0,8	K3F7003D32PK10BHL
4	32	20	11	27,5	/	6,3	260	780	14,0	14	35,7	65	0,8	K3F7004D02PK10BHL
5	32	22	13	27,5	/	7,3	325	975	11,2	15	33,3	65	0,8	K3F7005D02PK10BHL
6	32	24,5	13	27,5	/	8,3	390	1170	9,4	16	31,3	65	0,8	K3F7006D02PK10BHL
7	32	24,5	15	27,5	/	9,3	455	1365	8,0	17	28,6	65	0,8	K3F7007D02PK10BHL
7	32	28	14	27,5	/	9,5	520	1560	8,0	17	27,8	65	0,8	K3F7007D02PK11BHL
8	32	28	14	27,5	/	10,1	520	1560	7,0	17	27,8	65	0,8	K3F7008D02PK10BHL
9	32	30	16	27,5	/	11,0	585	1755	6,2	18	26,3	65	0,8	K3F7009D02PK10BHL
10	32	28	18	27,5	/	12,2	650	1950	5,6	19	23,8	65	0,8	K3F7001002PK10BHL
11	32	33	18	27,5	/	13,4	715	2145	5,1	21	21,7	65	0,8	K3F7001102PK10BHL
12	32	33	18	27,5	/	14,0	780	2340	4,7	21	21,7	65	0,8	K3F7001202PK10BHL
15	32	37	22	27,5	/	15,5	975	2925	4,8	23	17,2	65	0,8	K3F7001502PK10BHL
15	42	32	19	37,5	/	11,4	525	1575	8,7	13	17,9	35	1,0	K3F7001502PK11BHL
18	32	37	22	27,5	/	17,0	1170	3510	4,0	23	17,2	65	0,8	K3F7001802PK10BHL
22	42	40	20	37,5	10,2	15,6	770	2310	5,9	14	13,9	35	1,2	K3F7002204PK10BHL
25	42	40	20	37,5	10,2	16,6	875	2625	5,2	14	13,9	35	1,2	K3F7002504PK10BHL
30	42	37	28	37,5	10,2	19,4	1050	3150	4,3	15	12,2	35	1,2	K3F7003004PK10BHL
33	42	44	24	37,5	10,2	20,4	1155	3465	4,0	15	12,2	35	1,2	K3F7003304PK10BHL
40	42	45	30	37,5	20,3	24,8	1400	4200	3,3	16	10,0	35	1,2	K3F7004004PK10BHL
45	42	45	35	37,5	20,3	27,6	1575	4725	2,9	17	9,1	35	1,2	K3F7004504PK10BHL
45	57,5	45	25	52,5	10,2	18,1	900	2700	6,7	14	9,1	20	1,2	K3F7004504PK11BHL
50	42	50	35	37,5	20,3	28,5	1750	5250	3,0	17	8,3	35	1,2	K3F7005004PK10BHL
50	57,5	45	25	52,5	10,2	19,1	1000	3000	6,0	14	9,1	20	1,2	K3F7005004PK11BHL
55	57,5	45	30	52,5	20,3	21,4	1100	3300	5,5	15	8,0	20	1,2	K3F7005504PK10BHL
60	42	55	40	37,5	20,3	29,6	2100	6300	3,0	18	7,7	35	1,2	K3F7006004PK10BHL
60	57,5	45	30	52,5	20,3	22,3	1200	3600	5,0	15	8,0	20	1,2	K3F7006004PK11BHL
65	57,5	50	35	52,5	20,3	25,0	1300	3900	4,6	17	6,9	20	1,2	K3F7006504PK10BHL
66	42	57	38	37,5	20,3	31,1	2100	6300	2,7	18	7,7	35	1,2	K3F7006604PK10BHL
70	42	55	40	37,5	20,3	32,0	2450	7350	2,5	18	7,7	35	1,2	K3F7007004PK10BHL
70	57,5	50	35	52,5	20,3	26,0	1400	4200	4,3	17	6,9	20	1,2	K3F7007004PK11BHL
75	42	60	45	37,5	20,3	34,4	2625	7875	2,4	20	7,1	35	1,2	K3F7007504PK10BHL
75	57,5	50	35	52,5	20,3	26,9	1500	4500	4,0	17	6,9	20	1,2	K3F7007504PK11BHL
80	42	60	45	37,5	20,3	35,5	2800	8400	2,2	20	7,1	35	1,2	K3F7008004PK10BHL
80	57,5	50	35	52,5	20,3	27,8	1600	4800	3,8	17	6,9	20	1,2	K3F7008004PK11BHL
85	42	60	45	37,5	20,3	36,6	2975	8925	2,1	20	7,1	35	1,2	K3F7008504PK10BHL
90	57,5	60	35	52,5	20,3	31,4	1800	5400	3,3	18	6,1	20	1,2	K3F7009004PK10BHL
100	57,5	60	35	52,5	20,3	33,1	2000	6000	3,0	18	6,1	20	1,2	K3F7001014PK10BHL
110	57,5	65	35	52,5	20,3	34,3	2200	6600	3,0	18	5,7	20	1,2	K3F7001114PK10BHL
110	57,5	55	45	52,5	20,3	35,3	2200	6600	3,0	19	5,4	20	1,2	K3F7001114PK11BHL
130	57,5	65	45	52,5	20,3	39,4	2600	7800	2,5	20	5,1	20	1,2	K3F7001314PK10BHL

## K3F TYPE STANDARD RATINGS

RATED  
VOLTAGE  
800VDC

Cap Value μF	Dimensions (mm)					P1	I <sub>rms</sub> Max 75°C A(10KHz)	Peak Current A	Surge Current A	ESR <sup>Typical</sup> 10KHz mΩ	ESL nH	Thermal Res °C/W	dv/dt V/us	Lead Wire mm	PART NUMBER
	W	H	T	P	P1										
2	32	18	9	27,5	/		4,4	130	390	24,6	12	41,7	65	0,8	K3F8002D02PK10BHL
2,7	32	20	11	27,5	/		5,5	195	585	18,2	14	35,7	65	0,8	K3F8002D72PK10BHL
3	32	20	11	27,5	/		5,8	195	585	16,4	14	35,7	65	0,8	K3F8003D02PK10BHL
4	32	24,5	13	27,5	/		7,2	260	780	12,3	16	31,3	65	0,8	K3F8004D02PK10BHL
5	32	24	14	27,5	/		8,3	325	975	9,8	17	29,4	65	0,8	K3F8005D02PK10BHL
5	32	28	14	27,5	/		8,6	325	975	9,8	17	27,8	65	0,8	K3F8005D02PK11BHL
5	32	24,5	15	27,5	/		8,4	325	975	9,8	17	28,6	65	0,8	K3F8005D02PK12BHL
6	32	30	16	27,5	/		9,6	390	1170	8,2	18	26,3	65	0,8	K3F8006D02PK10BHL
6,5	32	30	16	27,5	/		10,0	390	1170	7,6	18	26,3	65	0,8	K3F8006D52PK10BHL
7	32	30	16	27,5	/		10,4	455	1365	7,0	18	26,3	65	0,8	K3F8007D02PK10BHL
8	32	28	18	27,5	/		11,7	520	1560	6,1	19	23,8	65	0,8	K3F8008D02PK10BHL
8,5	32	33	18	27,5	/		12,6	585	1755	5,8	21	21,7	65	0,8	K3F8008D52PK10BHL
9	32	33	18	27,5	/		13,0	585	1755	5,5	21	21,7	65	0,8	K3F8009D02PK10BHL
10	32	33	18	27,5	/		13,7	650	1950	4,9	21	21,7	65	0,8	K3F8001002PK10BHL
12	32	37	22	27,5	/		14,8	780	2340	5,3	23	17,2	65	0,8	K3F8001202PK10BHL
14	32	37	22	27,5	/		16,0	910	2730	4,5	23	17,2	65	0,8	K3F8001402PK10BHL
14	42	32	19	37,5	/		11,7	490	1470	8,1	13	17,9	35	1,0	K3F8001402PK11BHL
15	42	40	20	37,5	10,2		13,8	525	1575	7,6	14	13,9	35	1,2	K3F8001504PK10BHL
20	42	37	28	37,5	10,2		17,0	700	2100	5,7	15	12,2	35	1,2	K3F8002004PK10BHL
22	42	37	28	37,5	10,2		17,8	770	2310	5,2	15	12,2	35	1,2	K3F8002204PK10BHL
24	42	44	24	37,5	10,2		18,6	875	2625	4,8	15	12,2	35	1,2	K3F8002404PK10BHL
25	42	44	24	37,5	10,2		19,0	875	2625	4,6	15	12,2	35	1,2	K3F8002504PK10BHL
25	42	43	28	37,5	10,2		19,3	875	2625	4,6	16	11,8	35	1,2	K3F8002504PK11BHL
30	42	45	30	37,5	20,3		22,9	1050	3150	3,8	16	10,0	35	1,2	K3F8003004PK10BHL
30	57,5	45	25	52,5	10,2		15,8	600	1800	8,8	14	9,1	20	1,2	K3F8003004PK11BHL
35	42	45	35	37,5	20,3		26,0	1225	3675	3,3	17	9,1	35	1,2	K3F8003504PK10BHL
35	57,5	45	25	52,5	10,2		17,1	700	2100	7,5	14	9,1	20	1,2	K3F8003504PK11BHL
40	42	50	35	37,5	20,3		27,2	1400	4200	3,2	17	8,3	35	1,2	K3F8004004PK10BHL
40	57,5	45	30	52,5	20,3		19,5	800	2400	6,6	15	8,0	20	1,2	K3F8004004PK11BHL
45	42	55	40	37,5	20,3		27,4	1575	4725	3,5	18	7,7	35	1,2	K3F8004504PK10BHL
45	57,5	45	30	52,5	20,3		20,7	900	2700	5,9	15	8,0	20	1,2	K3F8004504PK11BHL
50	42	55	40	37,5	20,3		28,9	1750	5250	3,1	18	7,7	35	1,2	K3F8005004PK10BHL
50	57,5	50	35	52,5	20,3		23,5	1000	3000	5,3	17	6,9	20	1,2	K3F8005004PK11BHL
52	42	57	38	37,5	20,3		29,5	1925	5775	3,0	18	7,7	35	1,2	K3F8005204PK10BHL
55	42	55	40	37,5	20,3		30,3	1925	5775	2,8	18	7,7	35	1,2	K3F8005504PK10BHL
55	57,5	50	35	52,5	20,3		24,6	1100	3300	4,8	17	6,9	20	1,2	K3F8005504PK11BHL
60	42	60	45	37,5	20,3		32,9	2100	6300	2,6	20	7,1	35	1,2	K3F8006004PK10BHL
60	57,5	50	35	52,5	20,3		25,7	1200	3600	4,4	17	6,9	20	1,2	K3F8006004PK11BHL
65	42	60	45	37,5	20,3		34,2	2275	6825	2,4	20	7,1	35	1,2	K3F8006504PK10BHL
70	57,5	60	35	52,5	20,3		28,4	1400	4200	4,1	18	6,1	20	1,2	K3F8007004PK10BHL
75	57,5	60	35	52,5	20,3		29,4	1500	4500	3,8	18	6,1	20	1,2	K3F8007504PK10BHL
85	57,5	65	35	52,5	20,3		32,3	1700	5100	3,4	18	5,7	20	1,2	K3F8008504PK10BHL
85	57,5	55	45	52,5	20,3		33,2	1760	5280	3,4	19	5,4	20	1,2	K3F8008504PK11BHL
100	57,5	65	45	52,5	20,3		36,9	2000	6000	2,9	20	5,1	20	1,2	K3F8001014PK10BHL
110	57,5	65	45	52,5	20,3		38,7	2200	6600	2,6	20	5,1	20	1,2	K3F8001114PK10BHL

## K3F TYPE STANDARD RATINGS

RATED  
VOLTAGE  
900VDC

Cap Value μF	Dimensions (mm)					I <sub>rms</sub> Max 75°C A(10KHz)	Peak Current A	Surge Current A	ESR <sup>Typical</sup> 10KHz mΩ	ESL nH	Thermal Res °C/W	dv/dt V/us	Lead Wire mm	PART NUMBER
	W	H	T	P	P1									
1	32	18	9	27,5	/	3,3	65	195	43,7	12	41,7	65	0,8	K3F9001D02PK10BHL
2	32	20	11	27,5	/	5,1	130	390	21,9	14	35,7	65	0,8	K3F9002D02PK10BHL
2,5	32	22	13	27,5	/	5,9	163	488	17,5	15	33,3	65	0,8	K3F9002D52PK10BHL
3	32	22	13	27,5	/	6,4	195	585	14,6	15	33,3	65	0,8	K3F9003D02PK10BHL
3,5	32	24,5	13	27,5	/	7,2	228	683	12,5	16	31,3	65	0,8	K3F9003D52PK10BHL
4	32	24,5	15	27,5	/	8,0	260	780	10,9	17	28,6	65	0,8	K3F9004D02PK10BHL
4,5	32	28	14	27,5	/	8,6	293	878	9,7	17	27,8	65	0,8	K3F9004D52PK10BHL
5,5	32	30	16	27,5	/	9,8	358	1073	7,9	18	26,3	65	0,8	K3F9005D52PK10BHL
6	32	28	18	27,5	/	10,7	390	1170	7,3	19	23,8	65	0,8	K3F9006D02PK10BHL
6,3	32	28	18	27,5	/	11,0	390	1170	6,9	19	23,8	65	0,8	K3F9006D32PK10BHL
7	32	33	18	27,5	/	12,1	455	1365	6,2	21	21,7	65	0,8	K3F9007D02PK10BHL
9	32	37	22	27,5	/	13,6	585	1755	6,2	23	17,2	65	0,8	K3F9009D02PK10BHL
10	32	37	22	27,5	/	14,4	650	1950	5,6	23	17,2	65	0,8	K3F9001002PK10BHL
10	42	32	19	37,5	/	10,5	350	1050	10,1	13	17,9	35	1,0	K3F9001002PK11BHL
14	42	40	20	37,5	10,2	14,1	490	1470	7,2	14	13,9	35	1,2	K3F9001404PK10BHL
15	42	40	20	37,5	10,2	14,6	525	1575	6,8	14	13,9	35	1,2	K3F9001504PK10BHL
18	42	37	28	37,5	10,2	17,1	630	1890	5,6	15	12,2	35	1,2	K3F9001804PK10BHL
20	42	37	28	37,5	10,2	18,0	700	2100	5,1	15	12,2	35	1,2	K3F9002004PK10BHL
20	42	44	24	37,5	10,2	18,0	700	2100	5,1	15	12,2	35	1,2	K3F9002004PK11BHL
25	42	45	30	37,5	20,3	22,2	875	2625	4,1	16	10,0	35	1,2	K3F9002504PK10BHL
25	57,5	45	25	52,5	10,2	15,3	500	1500	9,4	14	9,1	20	1,2	K3F9002504PK11BHL
28	42	45	35	37,5	20,3	24,6	1050	3150	3,6	17	9,1	35	1,2	K3F9002804PK10BHL
30	42	45	35	37,5	20,3	25,5	1050	3150	3,4	17	9,1	35	1,2	K3F9003004PK10BHL
33	42	50	35	37,5	20,3	26,2	1225	3675	3,4	17	8,3	35	1,2	K3F9003304PK10BHL
35	42	50	35	37,5	20,3	27,0	1225	3675	3,3	17	8,3	35	1,2	K3F9003504PK10BHL
35	57,5	45	30	52,5	20,3	19,3	700	2100	6,7	15	8,0	20	1,2	K3F9003504PK11BHL
36	57,5	45	30	52,5	20,3	19,6	700	2100	6,5	15	8,0	20	1,2	K3F9003604PK10BHL
40	42	55	40	37,5	20,3	27,4	1400	4200	3,5	18	7,7	35	1,2	K3F9004004PK10BHL
40	42	57	38	37,5	20,3	27,4	1400	4200	3,5	18	7,7	35	1,2	K3F9004004PK11BHL
45	57,5	50	35	52,5	20,3	23,6	900	2700	5,2	17	6,9	20	1,2	K3F9004504PK10BHL
50	42	60	45	37,5	20,3	31,8	1750	5250	2,8	20	7,1	35	1,2	K3F9005004PK10BHL
50	57,5	50	35	52,5	20,3	24,9	1000	3000	4,7	17	6,9	20	1,2	K3F9005004PK11BHL
60	57,5	60	35	52,5	20,3	29,1	1200	3600	3,9	18	6,1	20	1,2	K3F9006004PK10BHL
65	57,5	65	35	52,5	20,3	29,9	1300	3900	3,9	18	5,7	20	1,2	K3F9006504PK10BHL
70	57,5	55	45	52,5	20,3	31,9	1400	4200	3,6	19	5,4	20	1,2	K3F9007004PK10BHL
80	57,5	65	45	52,5	20,3	35,0	1600	4800	3,2	20	5,1	20	1,2	K3F9008004PK10BHL
85	57,5	65	45	52,5	20,3	36,1	1700	5100	3,0	20	5,1	20	1,2	K3F9008504PK10BHL

## K3F TYPE STANDARD RATINGS

RATED  
VOLTAGE  
1000VDC

Cap Value μF	Dimensions (mm)					I <sub>rms</sub> Max 75°C A(10KHz)	Peak Current A	Surge Current A	ESR <sup>Typical</sup> 10KHz mΩ	ESL nH	Thermal Res °C/W	dv/dt V/us	Lead Wire mm	PART NUMBER
	W	H	T	P	P1									
1	32	18	9	27,5	/	3,5	65	195	39,3	12	41,7	65	0,8	K3F1011D02PK10BHL
1,8	32	20	11	27,5	/	5,1	117	351	21,9	14	35,7	65	0,8	K3F1011D82PK10BHL
2,0	32	22	13	27,5	/	5,5	130	390	19,7	15	33,3	65	0,8	K3F1012D02PK10BHL
2,2	32	22	13	27,5	/	5,8	143	429	17,9	15	33,3	65	0,8	K3F1012D22PK10BHL
2,7	32	24,5	13	27,5	/	6,6	143	429	14,6	17	29,4	65	0,8	K3F1012D72PK10BHL
3	32	24	14	27,5	/	7,2	195	585	13,1	17	29,4	65	0,8	K3F1013D02PK10BHL
3,3	32	28	14	27,5	/	7,8	215	644	11,9	17	27,8	65	0,8	K3F1013D32PK10BHL
4	32	30	16	27,5	/	8,8	260	780	9,8	18	26,3	65	0,8	K3F1014D02PK10BHL
5	32	28	18	27,5	/	10,3	325	975	7,9	19	23,8	65	0,8	K3F1015D02PK10BHL
5,5	32	33	18	27,5	/	11,3	390	1170	7,2	21	21,7	65	0,8	K3F1015D52PK10BHL
6	32	33	18	27,5	/	11,8	390	1170	6,6	21	21,7	65	0,8	K3F1016D02PK10BHL
7	32	37	22	27,5	/	12,7	455	1365	7,2	23	17,2	65	0,8	K3F1017D02PK10BHL
7	42	29	17	37,5	/	8,9	245	735	13,0	12	19,2	35	1,0	K3F1017D02PK11BHL
8	32	37	22	27,5	/	13,5	520	1560	6,3	23	17,2	65	0,8	K3F1018D02PK10BHL
8	42	32	19	37,5	/	9,9	280	840	11,4	13	17,9	35	1,0	K3F1018D02PK11BHL
12	42	40	20	37,5	10,2	13,8	420	1260	7,6	14	13,9	35	1,2	K3F1011204PK10BHL
12	42	37	22	37,5	10,2	13,6	420	1260	7,6	14	14,3	35	1,2	K3F1011204PK11BHL
14	42	37	22	37,5	10,2	14,7	490	1470	6,5	14	14,3	35	1,2	K3F1011404PK10BHL
15	42	44	24	37,5	10,2	16,4	525	1575	6,1	15	12,2	35	1,2	K3F1011504PK10BHL
16	42	43	28	37,5	10,2	17,3	560	1680	5,7	16	11,8	35	1,2	K3F1011604PK10BHL
18	42	45	30	37,5	20,3	19,9	630	1890	5,1	16	10,0	35	1,2	K3F1011804PK10BHL
20	42	45	30	37,5	20,3	20,9	700	2100	4,6	16	10,0	35	1,2	K3F1012004PK10BHL
22	42	45	35	37,5	20,3	23,0	770	2310	4,1	17	9,1	35	1,2	K3F1012204PK10BHL
25	42	50	35	37,5	20,3	24,1	875	2625	4,1	17	8,3	35	1,2	K3F1012504PK10BHL
25	57,5	45	25	52,5	10,2	16,2	500	1500	8,4	14	9,1	20	1,2	K3F1012504PK11BHL
30	42	55	40	37,5	20,3	25,0	1050	3150	4,1	18	7,7	35	1,2	K3F1013004PK10BHL
30	57,5	45	30	52,5	20,3	18,9	600	1800	7,0	15	8,0	20	1,2	K3F1013004PK11BHL
33	42	57	38	37,5	20,3	26,3	1225	3675	3,8	18	7,7	35	1,2	K3F1013304PK10BHL
35	42	55	40	37,5	20,3	27,0	1225	3675	3,6	18	7,7	35	1,2	K3F1013504PK10BHL
35	57,5	45	30	52,5	20,3	20,4	700	2100	6,0	15	8,0	20	1,2	K3F1013504PK11BHL
40	42	60	45	37,5	20,3	30,0	1400	4200	3,1	20	7,1	35	1,2	K3F1014004PK10BHL
40	57,5	50	35	52,5	20,3	23,5	800	2400	5,3	17	6,9	20	1,2	K3F1014004PK11BHL
45	57,5	60	35	52,5	20,3	26,5	900	2700	4,7	18	6,1	20	1,2	K3F1014504PK10BHL
50	57,5	60	35	52,5	20,3	28,0	1000	3000	4,2	18	6,1	20	1,2	K3F1015004PK10BHL
55	57,5	65	35	52,5	20,3	29,0	1100	3300	4,2	18	5,7	20	1,2	K3F1015504PK10BHL
55	57,5	55	45	52,5	20,3	29,0	1140	3420	4,2	19	5,4	20	1,2	K3F1015504PK11BHL
57	57,5	55	45	52,5	20,3	30,4	1140	3420	4,0	19	5,4	20	1,2	K3F1015704PK10BHL
65	57,5	65	45	52,5	20,3	33,3	1300	3900	3,5	20	5,1	20	1,2	K3F1016504PK10BHL
70	57,5	65	45	52,5	20,3	33,7	1400	4200	3,4	20	5,1	20	1,2	K3F1017004PK10BHL

## K3F TYPE STANDARD RATINGS

RATED  
VOLTAGE  
110VDC

Cap Value μF	Dimensions (mm)					I <sub>rms</sub> Max 75°C A(10Khz)	Peak Current A	Surge Current A	ESR <sup>Typical</sup> 10KHz mΩ	ESL nH	Thermal Res °C/W	dv/dt V/us	Lead Wire mm	PART NUMBER
	W	H	T	P	P1									
1	32	18	9	27,5	/	3,7	65	195	35,8	12	41,7	65	0,8	K3F1111D02PK10BHL
1,5	32	20	11	27,5	/	4,8	98	293	23,8	14	35,7	65	0,8	K3F1111D52PK10BHL
2	32	22	13	27,5	/	5,8	130	390	17,9	15	33,3	65	0,8	K3F1112D02PK10BHL
2,2	32	24,5	13	27,5	/	6,3	143	429	16,3	16	31,3	65	0,8	K3F1112D22PK10BHL
2,7	32	30	16	27,5	/	7,4	215	644	13,2	17	27,8	65	0,8	K3F1112D72PK10BHL
3	32	28	14	27,5	/	7,8	195	585	11,9	17	27,8	65	0,8	K3F1113D02PK10BHL
3,3	32	30	16	27,5	/	8,4	215	644	10,8	18	26,3	65	0,8	K3F1113D32PK10BHL
4	32	28	18	27,5	/	9,7	260	780	8,9	19	23,8	65	0,8	K3F1114D02PK10BHL
4,5	32	33	18	27,5	/	10,8	293	878	7,9	21	21,7	65	0,8	K3F1114D52PK10BHL
5	32	33	18	27,5	/	11,3	325	975	7,2	21	21,7	65	0,8	K3F1115D02PK10BHL
6	32	37	22	27,5	/	12,3	390	1170	7,7	23	17,2	65	0,8	K3F1116D02PK10BHL
7	32	37	22	27,5	/	13,3	455	1365	6,6	23	17,2	65	0,8	K3F1117D02PK10BHL
7	42	32	19	37,5	/	9,7	245	735	11,9	13	17,9	35	1,0	K3F1117D02PK11BHL
8	42	40	20	37,5	10,2	11,8	280	840	10,4	14	13,9	35	1,2	K3F1118D04PK10BHL
9	42	40	20	37,5	10,2	12,5	315	945	9,2	14	13,9	35	1,2	K3F1119D04PK10BHL
10	42	37	22	37,5	10,2	13,0	350	1050	8,3	14	14,3	35	1,2	K3F1111004PK10BHL
10	42	37	28	37,5	10,2	14,1	350	1050	8,3	15	12,2	35	1,2	K3F1111004PK11BHL
12	42	37	28	37,5	10,2	15,4	420	1260	6,9	15	12,2	35	1,2	K3F1111204PK10BHL
12	42	44	24	37,5	10,2	15,4	420	1260	6,9	15	12,2	35	1,2	K3F1111204PK11BHL
13	42	44	24	37,5	10,2	16,0	455	1365	6,4	15	12,2	35	1,2	K3F1111304PK10BHL
15	42	43	28	37,5	10,2	17,5	525	1575	5,5	16	11,8	35	1,2	K3F1111504PK10BHL
16	42	45	30	37,5	20,3	19,6	560	1680	5,2	16	10,0	35	1,2	K3F1111604PK10BHL
18	42	45	35	37,5	20,3	21,8	630	1890	4,6	17	9,1	35	1,2	K3F1111804PK10BHL
20	42	50	35	37,5	20,3	22,6	700	2100	4,7	17	8,3	35	1,2	K3F1112004PK10BHL
25	57,5	45	30	52,5	20,3	18,1	500	1500	7,7	15	8,0	20	1,2	K3F1112504PK10BHL
27	42	55	40	37,5	20,3	24,9	945	2835	4,2	18	7,7	35	1,2	K3F1112704PK10BHL
27	42	57	38	37,5	20,3	24,9	945	2835	4,2	18	7,7	35	1,2	K3F1112704PK11BHL
30	57,5	50	35	52,5	20,3	21,3	600	1800	6,4	17	6,9	20	1,2	K3F1113004PK10BHL
35	42	60	45	37,5	20,3	29,4	1225	3675	3,2	20	7,1	35	1,2	K3F1113504PK10BHL
40	57,5	60	35	52,5	20,3	26,2	800	2400	4,8	18	6,1	20	1,2	K3F1114004PK10BHL
45	57,5	65	35	52,5	20,3	27,5	900	2700	4,6	18	5,7	20	1,2	K3F1114504PK10BHL
45	57,5	55	45	52,5	20,3	28,0	940	2820	4,6	19	5,4	20	1,2	K3F1114504PK11BHL
47	57,5	55	45	52,5	20,3	28,9	940	2820	4,4	19	5,4	20	1,2	K3F1114704PK10BHL
50	57,5	65	45	52,5	20,3	30,6	1000	3000	4,2	20	5,1	20	1,2	K3F1115004PK10BHL
55	57,5	65	45	52,5	20,3	32,1	1100	3300	3,8	20	5,1	20	1,2	K3F1115504PK10BHL

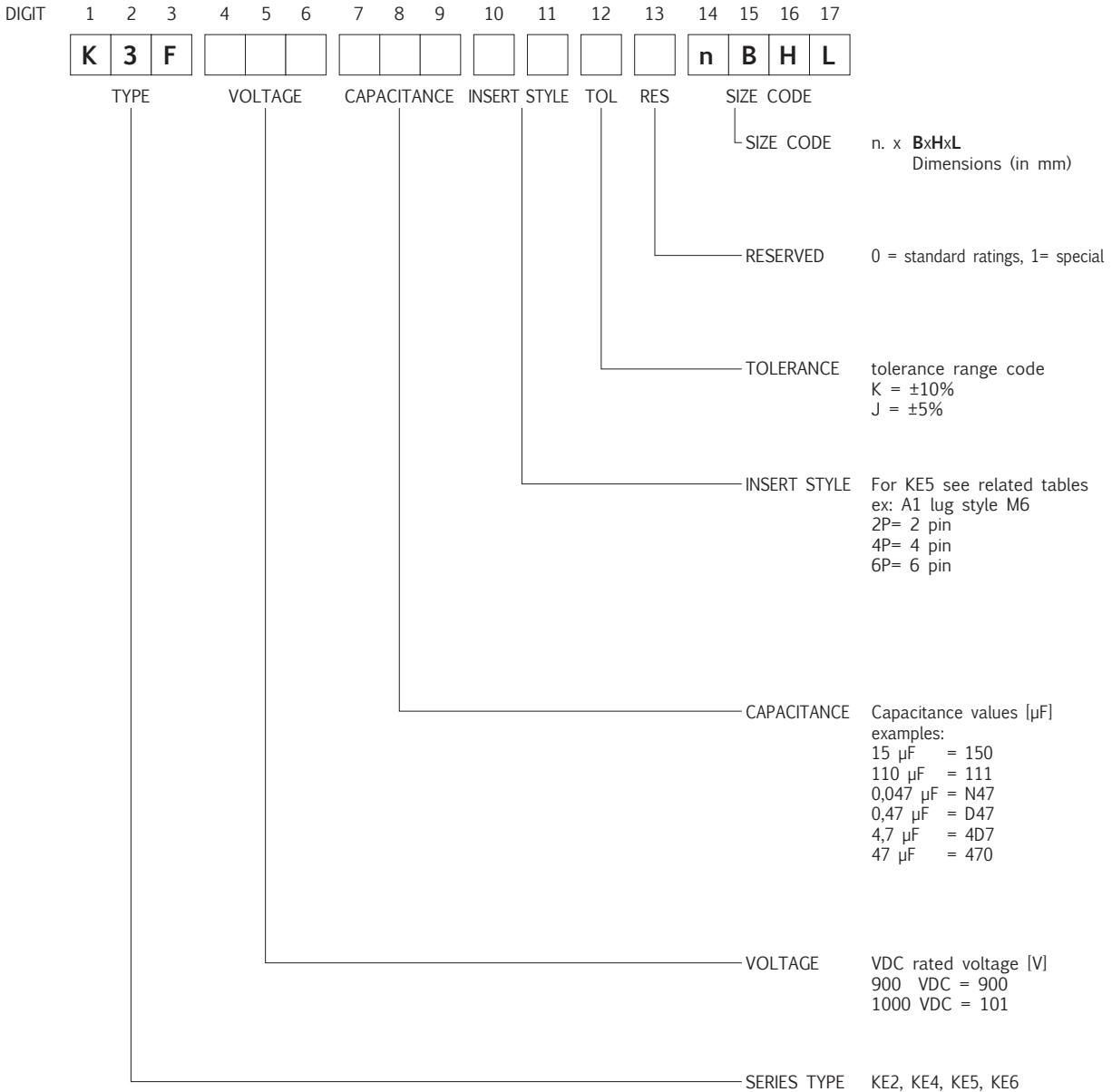
## K3F TYPE STANDARD RATINGS

**RATED  
VOLTAGE  
1200VDC**

Cap Value μF	Dimensions (mm)					I <sub>rms</sub> Max 75°C A(10KHz)	Peak Current A	Surge Current A	ESR <sup>Typical</sup> 10KHz mΩ	ESL nH	Thermal Res °C/W	dv/dt V/us	Lead Wire mm	PART NUMBER
	W	H	T	P	P1									
1,0	32	20	11	27,5	/	4,5	65	195	27,3	14	35,7	65	0,8	K3F1211D02PK10BHL
1,2	32	20	11	27,5	/	4,5	78	234	27,3	14	35,7	65	0,8	K3F1211D22PK10BHL
1,5	32	22	13	27,5	/	5,2	98	293	21,9	15	33,3	65	0,8	K3F1211D52PK10BHL
2	32	24,5	13	27,5	/	6,2	130	390	16,4	16	31,3	65	0,8	K3F1212D02PK10BHL
2,2	32	28	14	27,5	/	7,0	143	429	14,9	17	27,8	65	0,8	K3F1212D22PK10BHL
2,7	32	30	16	27,5	/	7,9	195	585	12,1	18	26,3	65	0,8	K3F1212D72PK10BHL
3	32	30	16	27,5	/	8,3	195	585	10,9	18	26,3	65	0,8	K3F1213D02PK10BHL
3,3	32	28	18	27,5	/	9,2	215	644	9,9	19	23,8	65	0,8	K3F1213D32PK10BHL
3,7	32	33	18	27,5	/	10,2	260	780	8,9	21	21,7	65	0,8	K3F1213D72PK10BHL
4	32	33	18	27,5	/	10,6	260	780	8,2	21	21,7	65	0,8	K3F1214D02PK10BHL
4,5	42	29	17	37,5	/	7,8	158	473	16,9	12	19,2	35	1,0	K3F1214D52PK10BHL
5	32	37	22	27,5	/	13,3	325	975	6,6	23	17,2	65	0,8	K3F1215D02PK10BHL
5,5	42	32	19	37,5	/	9,0	193	578	13,8	13	17,9	35	1,0	K3F1215D52PK10BHL
8	42	40	20	37,5	10,2	12,3	280	840	9,5	14	13,9	35	1,2	K3F1218D04PK10BHL
10	42	37	28	37,5	10,2	14,7	350	1050	7,6	15	12,2	35	1,2	K3F1211004PK10BHL
11	42	44	24	37,5	10,2	15,4	385	1155	6,9	15	12,2	35	1,2	K3F1211104PK10BHL
12	42	43	28	37,5	10,2	16,4	420	1260	6,3	16	11,8	35	1,2	K3F1211204PK10BHL
13	42	43	28	37,5	10,2	17,0	455	1365	5,8	16	11,8	35	1,2	K3F1211304PK10BHL
14	42	45	30	37,5	20,3	19,2	490	1470	5,4	16	10,0	35	1,2	K3F1211404PK10BHL
15	42	45	35	37,5	20,3	20,8	525	1575	5,1	17	9,1	35	1,2	K3F1211504PK10BHL
15	57,5	45	25	52,5	10,2	13,7	300	900	11,7	14	9,1	20	1,2	K3F1211504PK11BHL
16	42	45	35	37,5	20,3	21,5	560	1680	4,8	17	9,1	35	1,2	K3F1211604PK10BHL
17	42	50	35	37,5	20,3	21,7	630	1890	5,1	17	8,3	35	1,2	K3F1211704PK10BHL
18	42	50	35	37,5	20,3	22,4	630	1890	4,8	17	8,3	35	1,2	K3F1211804PK10BHL
20	57,5	45	30	52,5	20,3	16,9	400	1200	8,8	15	8,0	20	1,2	K3F1212004PK10BHL
22	42	55	40	37,5	20,3	25,7	770	2310	3,9	18	7,7	35	1,2	K3F1212204PK10BHL
22	42	57	38	37,5	20,3	25,7	770	2310	3,9	18	7,7	35	1,2	K3F1212204PK11BHL
23	42	55	40	37,5	20,3	26,3	805	2415	3,8	18	7,7	35	1,2	K3F1212304PK10BHL
25	57,5	50	35	52,5	20,3	20,3	500	1500	7,0	17	6,9	20	1,2	K3F1212504PK10BHL
30	42	60	45	37,5	20,3	31,2	1050	3150	2,9	20	7,1	35	1,2	K3F1213004PK10BHL
33	57,5	60	35	52,5	20,3	24,9	660	1980	5,3	18	6,1	20	1,2	K3F1213304PK10BHL
36	57,5	55	45	52,5	20,3	25,7	800	2400	5,2	18	5,4	20	1,2	K3F1213604PK10BHL
38	57,5	65	35	52,5	20,3	26,4	760	2280	5,0	18	5,7	20	1,2	K3F1213804PK10BHL
40	57,5	55	45	52,5	20,3	27,9	800	2400	4,8	19	5,4	20	1,2	K3F1214004PK10BHL
45	57,5	65	45	52,5	20,3	30,3	900	2700	4,2	20	5,1	20	1,2	K3F1214504PK10BHL

# PART NUMBER SYSTEM FOR METALLIZED POLYPROPYLENE FILM CAPACITORS

New PART-NUMBER CODE in use since Sep 2010. Total length is 17 digits.  
Please see examples below and have a reference code from the standard ratings capacitors pages.

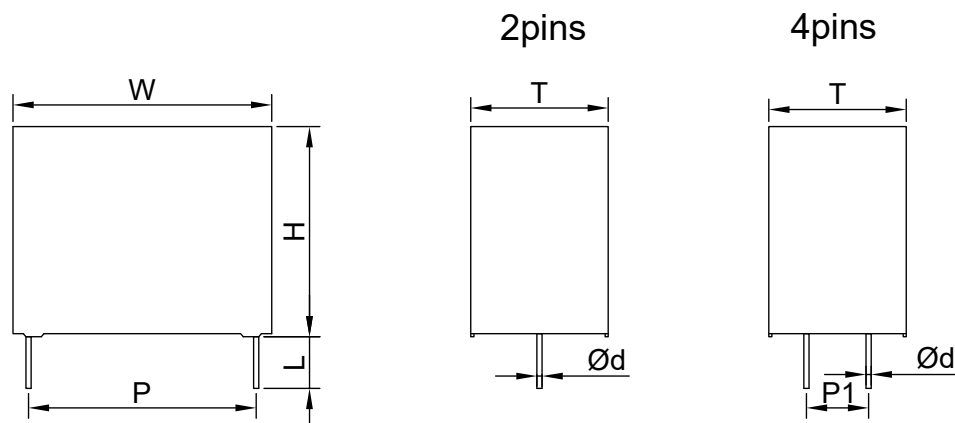


## K4F TYPE -55 +125°C 100000H

### Overview

The K4F series is constructed of metallized polypropylene film encapsulated with epoxy resin in a plastic box, with 2 or 4 tinned copper wire. This K4F series is suitable for harsh environment condition and qualify in accordance to AEC-Q200 requirement.

<b>Applications</b>	Widely used in high performance DC Link, DC filtering, frequency converter, industrial power supply, solar inverter, energy storage, OBC, DC-DC converter and automotive applications
<b>Reference standard</b>	IEC 61071, AECQ-200
<b>Construction</b>	Metallized Polypropylene Film
<b>Coating</b>	Plastic Box
<b>Terminals</b>	Tinned Copper Terminal Wires
<b>Operating temperature range</b>	-55°C to +125°C (85°C ~125°C, decreasing factor 1.1% per °C for Rated Voltage)
<b>Capacitance</b>	1.0µF to 220µF
<b>Rated Voltage</b>	450 to 1100 VDC
<b>Tolerance</b>	±5% or ±10% at +25°C
<b>Dissipation Factor</b>	≤0.002 (0.2%) at 1KHz; C ≤20µF at 25°C ≤0.003 (0.3%) at 1KHz; C >20µF at 25°C ≤0.004 (0.4%) at 1KHz; C >80µF at 25°C
<b>Operative Voltage Derating</b>	Symbol Voltage (VDC)
<b>Rated Voltage at 85°C (THS)</b>	$V_{NDC}$ 450 600 700 900 1100
<b>Rated Voltage at 85°C (THS)</b>	$V_{OP105}$ 351 468 546 702 858
<b>Rated Voltage at 85°C (THS)</b>	$V_{OP115}$ 301 402 469 603 737
<b>Rated Voltage at 105°C (THS)</b>	$V_{OP125}$ 252 336 392 504 616
<b>Life Expectancy</b>	100,000 hours ( $V_{NDC}$ , $\Theta_{hotspot} = 85^\circ\text{C}$ ) 20,000 hours ( $V_{OP105}$ , $\Theta_{hotspot} = 105^\circ\text{C}$ ) 5,000 hours ( $V_{OP115}$ , $\Theta_{hotspot} = 115^\circ\text{C}$ ) 4,000 hours ( $V_{OP125}$ , $\Theta_{hotspot} = 125^\circ\text{C}$ )
<b>Dielectric strength</b>	1.5 x VR VDC for 10 seconds @ +25°C ± 5°C
<b>Test Voltage terminal to case</b>	3000VAC, 50/60Hz 60s (at +25 ± 5°C)
<b>Insulation Resistance</b>	IR xC≥30,000 s at 100vdc 1minute at +25°C



## K4F TYPE STANDARD RATINGS

**RATED  
VOLTAGE  
450VDC**

Cap Value μF	Dimensions (mm)					I <sub>rms</sub> Max 75°C A(10KHz)	Peak Current A	Surge Current A	ESR <sup>Typical</sup> 10KHz mΩ	ESL nH	Thermal Res °C/W	dv/dt V/us	Lead Wire mm	PART NUMBER
	W	H	T	P	P1									
3,3	32	18	9	27,5	/	4,7	215	644	22,1	12	41,7	65	0,8	K4F4503D32PK10BHL
4	32	18	9	27,5	/	5,1	260	780	18,2	12	41,7	65	0,8	K4F4504D02PK10BHL
5	32	20	11	27,5	/	6,2	325	975	14,6	14	35,7	65	0,8	K4F4505D02PK10BHL
6	32	20	11	27,5	/	6,8	390	1170	12,1	14	35,7	65	0,8	K4F4506D02PK10BHL
7	32	22	13	27,5	/	7,6	455	1365	10,4	15	33,3	65	0,8	K4F4507D02PK10BHL
8	32	22	13	27,5	/	8,1	520	1560	9,1	15	33,3	65	0,8	K4F4508D02PK10BHL
10	32	24,5	13	27,5	/	9,4	650	1950	7,3	16	31,3	65	0,8	K4F4501002PK10BHL
12	32	28	14	27,5	/	10,9	780	2340	6,1	18	27,8	65	0,8	K4F4501202PK10BHL
13	32	28	14	27,5	/	11,3	845	2535	5,6	18	27,8	65	0,8	K4F4501302PK10BHL
14	32	30	16	27,5	/	12,1	910	2730	5,2	18	26,3	65	0,8	K4F4501402PK10BHL
15	32	30	16	27,5	/	12,5	975	2925	4,9	18	26,3	65	0,8	K4F4501502PK10BHL
15	32	28	18	27,5	/	12,7	975	2925	5,2	19	23,8	65	0,8	K4F4501502PK11BHL
16	32	28	18	27,5	/	13,6	1040	3120	4,6	19	23,8	65	0,8	K4F4501602PK10BHL
18	32	33	18	27,5	/	14,6	1170	3510	4,3	21	21,7	65	0,8	K4F4501802PK10BHL
20	32	33	18	27,5	/	15,4	1300	3900	3,9	21	21,7	65	0,8	K4F4502002PK10BHL
22	32	37	22	27,5	/	16,5	1430	4290	4,3	23	17,2	65	0,8	K4F4502202PK10BHL
25	32	37	22	27,5	/	17,6	1625	4875	3,7	23	17,2	65	0,8	K4F4502502PK10BHL
28	32	37	22	27,5	/	18,6	1820	5460	3,3	23	17,2	65	0,8	K4F4502802PK10BHL
20	42	28	17	37,5	/	10,9	700	2100	8,4	12	20,0	35	1,0	K4F4502002PK11BHL
25	42	32	19	37,5	/	12,9	875	2625	6,8	13	17,9	35	1,0	K4F4502502PK11BHL
30	42	37	22	37,5	10,2	15,8	1050	3150	5,6	14	14,3	35	1,2	K4F4503004PK10BHL
35	42	37	22	37,5	10,2	17,0	1225	3675	4,8	14	14,3	35	1,2	K4F4503504PK10BHL
40	42	40	20	37,5	10,2	18,5	1400	4200	4,2	14	13,9	35	1,2	K4F4504004PK10BHL
40	42	37	22	37,5	10,2	18,2	1400	4200	4,2	14	14,3	35	1,2	K4F4504004PK11BHL
50	42	37	28	37,5	10,2	22,0	1750	5250	3,4	15	12,2	35	1,2	K4F4505004PK10BHL
55	42	44	24	37,5	10,2	23,1	1925	5775	3,1	15	12,2	35	1,2	K4F4505504PK10BHL
60	42	43	28	37,5	10,2	24,6	2100	6300	2,8	16	11,8	35	1,2	K4F4506004PK10BHL
65	42	45	30	37,5	20,3	27,7	2275	6825	2,6	16	10,0	35	1,2	K4F4506504PK10BHL
70	42	45	30	37,5	20,3	28,8	2450	7350	2,4	16	10,0	35	1,2	K4F4507004PK10BHL
80	42	45	35	37,5	20,3	32,3	2800	8400	2,1	17	9,1	35	1,2	K4F4508004PK10BHL
90	42	50	35	37,5	20,3	33,5	3150	9450	2,1	17	8,3	35	1,2	K4F4509004PK10BHL
110	42	55	40	37,5	20,3	35,2	3850	11550	2,1	18	7,7	35	1,2	K4F4501114PK10BHL
110	42	57	38	37,5	20,3	35,2	3850	11550	2,1	18	7,7	35	1,2	K4F4501114PK11BHL
120	42	55	40	37,5	20,3	36,8	4200	12600	1,9	18	7,7	35	1,2	K4F4501214PK10BHL
140	42	60	45	37,5	20,3	41,2	4900	14700	1,6	20	7,1	35	1,2	K4F4501414PK10BHL
80	57,5	45	25	52,5	10,2	21,2	1600	4800	4,9	14	9,1	20	1,2	K4F4508004PK11BHL
100	57,5	45	30	52,5	20,3	25,3	2000	6000	3,9	15	8,0	20	1,2	K4F4501014PK10BHL
130	57,5	50	35	52,5	20,3	31,1	2600	7800	3,0	17	6,9	20	1,2	K4F4501314PK10BHL
160	57,5	60	35	52,5	20,3	36,8	3200	9600	2,4	18	6,1	20	1,2	K4F4501614PK10BHL
170	57,5	55	45	52,5	20,3	36,5	3400	10200	2,5	18	6,1	20	1,2	K4F4501714PK10BHL
180	57,5	65	35	52,5	20,3	38,6	3600	10800	2,4	18	5,7	20	1,2	K4F4501814PK10BHL
180	57,5	55	45	52,5	20,3	39,6	3600	10800	2,4	19	5,4	20	1,2	K4F4501814PK11BHL
210	57,5	65	45	52,5	20,3	44,0	4200	12600	2,0	20	5,1	20	1,2	K4F4502114PK10BHL
220	57,5	65	45	52,5	20,3	45,0	4400	13200	1,9	20	5,1	20	1,2	K4F4502214PK10BHL

## K4F TYPE STANDARD RATINGS

RATED  
VOLTAGE  
600VDC

Cap Value μF	Dimensions (mm)					I <sub>rms</sub> Max 75°C A(10KHz)	Peak Current A	Surge Current A	ESR <sup>Typical</sup> 10KHz mΩ	ESL nH	Thermal Res °C/W	dv/dt V/us	Lead Wire mm	PART NUMBER
	W	H	T	P	P1									
2	32	18	9	27,5	/	4,1	130	390	28,1	12	41,7	65	0,8	K4F6002D02PK10BHL
3	32	20	11	27,5	/	5,5	195	585	18,7	14	35,7	65	0,8	K4F6003D02PK10BHL
3,3	32	20	11	27,5	/	5,7	195	585	17,0	14	35,7	65	0,8	K4F6003D32PK10BHL
4	32	20	11	27,5	/	6,3	260	780	14,0	14	35,7	65	0,8	K4F6004D02PK10BHL
5	32	22	13	27,5	/	7,3	325	975	11,2	15	33,3	65	0,8	K4F6005D02PK10BHL
6	32	24,5	13	27,5	/	8,3	390	1170	9,4	16	31,3	65	0,8	K4F6006D02PK10BHL
7	32	24,5	15	27,5	/	9,3	455	1365	8,0	17	28,6	65	0,8	K4F6007D02PK10BHL
7	32	28	14	27,5	/	9,5	520	1560	8,0	17	27,8	65	0,8	K4F6007D02PK11BHL
8	32	28	14	27,5	/	10,1	520	1560	7,0	17	27,8	65	0,8	K4F6008D02PK10BHL
9	32	30	16	27,5	/	11,0	585	1755	6,2	18	26,3	65	0,8	K4F6009D02PK10BHL
10	32	28	18	27,5	/	12,2	650	1950	5,6	19	23,8	65	0,8	K4F6001002PK10BHL
11	32	33	18	27,5	/	13,4	715	2145	5,1	21	21,7	65	0,8	K4F6001102PK10BHL
12	32	33	18	27,5	/	14,0	780	2340	4,7	21	21,7	65	0,8	K4F6001202PK10BHL
15	32	37	22	27,5	/	15,5	975	2925	4,8	23	17,2	65	0,8	K4F6001502PK10BHL
18	32	37	22	27,5	/	17,0	1170	3510	4,0	23	17,2	65	0,8	K4F6001802PK10BHL
15	42	32	19	37,5	/	11,4	525	1575	8,7	13	17,9	35	1,0	K4F6001502PK11BHL
22	42	40	20	37,5	10,2	15,6	770	2310	5,9	14	13,9	35	1,2	K4F6002204PK10BHL
25	42	40	20	37,5	10,2	16,6	875	2625	5,2	14	13,9	35	1,2	K4F6002504PK10BHL
30	42	37	28	37,5	10,2	19,4	1050	3150	4,3	15	12,2	35	1,2	K4F6003004PK10BHL
33	42	44	24	37,5	10,2	20,4	1155	3465	4,0	15	12,2	35	1,2	K4F6003304PK10BHL
40	42	45	30	37,5	20,3	24,8	1400	4200	3,3	16	10,0	35	1,2	K4F6004004PK10BHL
45	42	45	35	37,5	20,3	27,6	1575	4725	2,9	17	9,1	35	1,2	K4F6004504PK10BHL
50	42	50	35	37,5	20,3	28,5	1750	5250	3,0	17	8,3	35	1,2	K4F6005004PK10BHL
60	42	55	40	37,5	20,3	29,6	2100	6300	3,0	18	7,7	35	1,2	K4F6006004PK10BHL
66	42	57	38	37,5	20,3	31,1	2100	6300	2,7	18	7,7	35	1,2	K4F6006604PK10BHL
70	42	55	40	37,5	20,3	32,0	2450	7350	2,5	18	7,7	35	1,2	K4F6007004PK10BHL
75	42	60	45	37,5	20,3	34,4	2625	7875	2,4	20	7,1	35	1,2	K4F6007504PK10BHL
80	42	60	45	37,5	20,3	35,5	2800	8400	2,2	20	7,1	35	1,2	K4F6008004PK10BHL
85	42	60	45	37,5	20,3	36,6	2975	8925	2,1	20	7,1	35	1,2	K4F6008504PK10BHL
45	57,5	45	25	52,5	10,2	18,1	900	2700	6,7	14	9,1	20	1,2	K4F6004504PK11BHL
50	57,5	45	25	52,5	10,2	19,1	1000	3000	6,0	14	9,1	20	1,2	K4F6005004PK11BHL
55	57,5	45	30	52,5	20,3	21,4	1100	3300	5,5	15	8,0	20	1,2	K4F6005504PK10BHL
60	57,5	45	30	52,5	20,3	22,3	1200	3600	5,0	15	8,0	20	1,2	K4F6006004PK11BHL
65	57,5	50	35	52,5	20,3	25,0	1300	3900	4,6	17	6,9	20	1,2	K4F6006504PK10BHL
70	57,5	50	35	52,5	20,3	26,0	1400	4200	4,3	17	6,9	20	1,2	K4F6007004PK11BHL
75	57,5	50	35	52,5	20,3	26,9	1500	4500	4,0	17	6,9	20	1,2	K4F6007504PK11BHL
80	57,5	50	35	52,5	20,3	27,8	1600	4800	3,8	17	6,9	20	1,2	K4F6008004PK11BHL
90	57,5	60	35	52,5	20,3	31,4	1800	5400	3,3	18	6,1	20	1,2	K4F6009004PK10BHL
100	57,5	60	35	52,5	20,3	33,1	2000	6000	3,0	18	6,1	20	1,2	K4F6001014PK10BHL
110	57,5	65	35	52,5	20,3	34,3	2200	6600	3,0	18	5,7	20	1,2	K4F6001114PK10BHL
110	57,5	55	45	52,5	20,3	35,3	2200	6600	3,0	19	5,4	20	1,2	K4F6001114PK11BHL
130	57,5	65	45	52,5	20,3	39,4	2600	7800	2,5	20	5,1	20	1,2	K4F6001314PK10BHL

## K4F TYPE STANDARD RATINGS

Cap Value μF	Dimensions (mm)					I <sub>rms</sub> Max 75°C A(10KHz)	Peak Current A	Surge Current A	ESR <sup>Typical</sup> 10KHz mΩ	ESL nH	Thermal Res °C/W	dv/dt V/us	Lead Wire mm	PART NUMBER
	W	H	T	P	P1									
2	32	18	9	27,5	/	4,4	130	390	24,6	12	41,7	65	0,8	K4F7002D02PK10BHL
2,7	32	20	11	27,5	/	5,5	195	585	18,2	14	35,7	65	0,8	K4F7002D72PK10BHL
3	32	20	11	27,5	/	5,8	195	585	16,4	14	35,7	65	0,8	K4F7003D02PK10BHL
4	32	24,5	13	27,5	/	7,2	260	780	12,3	16	31,3	65	0,8	K4F7004D02PK10BHL
5	32	24	14	27,5	/	8,3	325	975	9,8	17	29,4	65	0,8	K4F7005D02PK10BHL
5	32	28	14	27,5	/	8,6	325	975	9,8	17	27,8	65	0,8	K4F7005D02PK11BHL
5	32	24,5	15	27,5	/	8,4	325	975	9,8	17	28,6	65	0,8	K4F7005D02PK12BHL
6	32	30	16	27,5	/	9,6	390	1170	8,2	18	26,3	65	0,8	K4F7006D02PK10BHL
6,5	32	30	16	27,5	/	10,0	390	1170	7,6	18	26,3	65	0,8	K4F7006D52PK10BHL
7	32	30	16	27,5	/	10,4	455	1365	7,0	18	26,3	65	0,8	K4F7007D02PK10BHL
8	32	28	18	27,5	/	11,7	520	1560	6,1	19	23,8	65	0,8	K4F7008D02PK10BHL
8,5	32	33	18	27,5	/	12,6	585	1755	5,8	21	21,7	65	0,8	K4F7008D52PK10BHL
9	32	33	18	27,5	/	13,0	585	1755	5,5	21	21,7	65	0,8	K4F7009D02PK10BHL
10	32	33	18	27,5	/	13,7	650	1950	4,9	21	21,7	65	0,8	K4F7001002PK10BHL
12	32	37	22	27,5	/	14,8	780	2340	5,3	23	17,2	65	0,8	K4F7001202PK10BHL
14	32	37	22	27,5	/	16,0	910	2730	4,5	23	17,2	65	0,8	K4F7001402PK10BHL
14	42	32	19	37,5	/	11,7	490	1470	8,1	13	17,9	35	1,0	K4F7001402PK11BHL
15	42	40	20	37,5	10,2	13,8	525	1575	7,6	14	13,9	35	1,2	K4F7001504PK10BHL
20	42	37	28	37,5	10,2	17,0	700	2100	5,7	15	12,2	35	1,2	K4F7002004PK10BHL
22	42	37	28	37,5	10,2	17,8	770	2310	5,2	15	12,2	35	1,2	K4F7002204PK10BHL
24	42	44	24	37,5	10,2	18,6	875	2625	4,8	15	12,2	35	1,2	K4F7002404PK10BHL
25	42	44	24	37,5	10,2	19,0	875	2625	4,6	15	12,2	35	1,2	K4F7002504PK10BHL
25	42	43	28	37,5	10,2	19,3	875	2625	4,6	16	11,8	35	1,2	K4F7002504PK11BHL
30	42	45	30	37,5	20,3	22,9	1050	3150	3,8	16	10,0	35	1,2	K4F7003004PK10BHL
35	42	45	35	37,5	20,3	26,0	1225	3675	3,3	17	9,1	35	1,2	K4F7003504PK10BHL
40	42	50	35	37,5	20,3	27,2	1400	4200	3,2	17	8,3	35	1,2	K4F7004004PK10BHL
45	42	55	40	37,5	20,3	27,4	1575	4725	3,5	18	7,7	35	1,2	K4F7004504PK10BHL
50	42	55	40	37,5	20,3	28,9	1750	5250	3,1	18	7,7	35	1,2	K4F7005004PK10BHL
52	42	57	38	37,5	20,3	29,5	1925	5775	3,0	18	7,7	35	1,2	K4F7005204PK10BHL
55	42	55	40	37,5	20,3	30,3	1925	5775	2,8	18	7,7	35	1,2	K4F7005504PK10BHL
60	42	60	45	37,5	20,3	32,9	2100	6300	2,6	20	7,1	35	1,2	K4F7006004PK10BHL
65	42	60	45	37,5	20,3	34,2	2275	6825	2,4	20	7,1	35	1,2	K4F7006504PK10BHL
30	57,5	45	25	52,5	10,2	15,8	600	1800	8,8	14	9,1	20	1,2	K4F7003004PK11BHL
35	57,5	45	25	52,5	10,2	17,1	700	2100	7,5	14	9,1	20	1,2	K4F7003504PK11BHL
40	57,5	45	30	52,5	20,3	19,5	800	2400	6,6	15	8,0	20	1,2	K4F7004004PK11BHL
45	57,5	45	30	52,5	20,3	20,7	900	2700	5,9	15	8,0	20	1,2	K4F7004504PK11BHL
50	57,5	50	35	52,5	20,3	23,5	1000	3000	5,3	17	6,9	20	1,2	K4F7005004PK11BHL
55	57,5	50	35	52,5	20,3	24,6	1100	3300	4,8	17	6,9	20	1,2	K4F7005504PK11BHL
60	57,5	50	35	52,5	20,3	25,7	1200	3600	4,4	17	6,9	20	1,2	K4F7006004PK11BHL
70	57,5	60	35	52,5	20,3	28,4	1400	4200	4,1	18	6,1	20	1,2	K4F7007004PK10BHL
75	57,5	60	35	52,5	20,3	29,4	1500	4500	3,8	18	6,1	20	1,2	K4F7007504PK10BHL
85	57,5	65	35	52,5	20,3	32,3	1700	5100	3,4	18	5,7	20	1,2	K4F7008504PK10BHL
85	57,5	55	45	52,5	20,3	33,2	1760	5280	3,4	19	5,4	20	1,2	K4F7008504PK11BHL
100	57,5	65	45	52,5	20,3	36,9	2000	6000	2,9	20	5,1	20	1,2	K4F7001014PK10BHL
110	57,5	65	45	52,5	20,3	38,7	2200	6600	2,6	20	5,1	20	1,2	K4F7001114PK10BHL

RATED  
VOLTAGE  
700VDC

## K4F TYPE STANDARD RATINGS

Cap Value μF	Dimensions (mm)					I <sub>rms</sub> Max 75°C A(10KHz)	Peak Current A	Surge Current A	ESR <sup>Typical</sup> 10KHz mΩ	ESL nH	Thermal Res °C/W	dv/dt V/us	Lead Wire mm	PART NUMBER
	W	H	T	P	P1									
1	32	18	9	27,5	/	3,5	65	195	39,3	12	41,7	65	0,8	K4F9001D02PK10BHL
1,8	32	20	11	27,5	/	5,1	117	351	21,9	14	35,7	65	0,8	K4F9001D82PK10BHL
2,0	32	22	13	27,5	/	5,5	130	390	19,7	15	33,3	65	0,8	K4F9002D02PK10BHL
2,2	32	22	13	27,5	/	5,8	143	429	17,9	15	33,3	65	0,8	K4F9002D22PK10BHL
2,7	32	24,5	13	27,5	/	6,6	143	429	14,6	17	29,4	65	0,8	K4F9002D72PK10BHL
3	32	24	14	27,5	/	7,2	195	585	13,1	17	29,4	65	0,8	K4F9003D02PK10BHL
3,3	32	28	14	27,5	/	7,8	215	644	11,9	17	27,8	65	0,8	K4F9003D32PK10BHL
4	32	30	16	27,5	/	8,8	260	780	9,8	18	26,3	65	0,8	K4F9004D02PK10BHL
5	32	28	18	27,5	/	10,3	325	975	7,9	19	23,8	65	0,8	K4F9005D02PK10BHL
5,5	32	33	18	27,5	/	11,3	390	1170	7,2	21	21,7	65	0,8	K4F9005D52PK10BHL
6	32	33	18	27,5	/	11,8	390	1170	6,6	21	21,7	65	0,8	K4F9006D02PK10BHL
7	32	37	22	27,5	/	12,7	455	1365	7,2	23	17,2	65	0,8	K4F9007D02PK10BHL
8	32	37	22	27,5	/	13,5	520	1560	6,3	23	17,2	65	0,8	K4F9008D02PK10BHL
7	42	29	17	37,5	/	8,9	245	735	13,0	12	19,2	35	1,0	K4F9007D02PK11BHL
8	42	32	19	37,5	/	9,9	280	840	11,4	13	17,9	35	1,0	K4F9008D02PK11BHL
12	42	40	20	37,5	10,2	13,8	420	1260	7,6	14	13,9	35	1,2	K4F9001204PK10BHL
12	42	37	22	37,5	10,2	13,6	420	1260	7,6	14	14,3	35	1,2	K4F9001204PK11BHL
14	42	37	22	37,5	10,2	14,7	490	1470	6,5	14	14,3	35	1,2	K4F9001404PK10BHL
15	42	44	24	37,5	10,2	16,4	525	1575	6,1	15	12,2	35	1,2	K4F9001504PK10BHL
16	42	43	28	37,5	10,2	17,3	560	1680	5,7	16	11,8	35	1,2	K4F9001604PK10BHL
18	42	45	30	37,5	20,3	19,9	630	1890	5,1	16	10,0	35	1,2	K4F9001804PK10BHL
20	42	45	30	37,5	20,3	20,9	700	2100	4,6	16	10,0	35	1,2	K4F9002004PK10BHL
22	42	45	35	37,5	20,3	23,0	770	2310	4,1	17	9,1	35	1,2	K4F9002204PK10BHL
25	42	50	35	37,5	20,3	24,1	875	2625	4,1	17	8,3	35	1,2	K4F9002504PK10BHL
30	42	55	40	37,5	20,3	25,0	1050	3150	4,1	18	7,7	35	1,2	K4F9003004PK10BHL
33	42	57	38	37,5	20,3	26,3	1225	3675	3,8	18	7,7	35	1,2	K4F9003304PK10BHL
35	42	55	40	37,5	20,3	27,0	1225	3675	3,6	18	7,7	35	1,2	K4F9003504PK10BHL
40	42	60	45	37,5	20,3	30,0	1400	4200	3,1	20	7,1	35	1,2	K4F9004004PK10BHL
25	57,5	45	25	52,5	10,2	16,2	500	1500	8,4	14	9,1	20	1,2	K4F9002504PK11BHL
30	57,5	45	30	52,5	20,3	18,9	600	1800	7,0	15	8,0	20	1,2	K4F9003004PK11BHL
35	57,5	45	30	52,5	20,3	20,4	700	2100	6,0	15	8,0	20	1,2	K4F9003504PK11BHL
40	57,5	50	35	52,5	20,3	23,5	800	2400	5,3	17	6,9	20	1,2	K4F9004004PK11BHL
45	57,5	60	35	52,5	20,3	26,5	900	2700	4,7	18	6,1	20	1,2	K4F9004504PK10BHL
50	57,5	60	35	52,5	20,3	28,0	1000	3000	4,2	18	6,1	20	1,2	K4F9005004PK10BHL
55	57,5	65	35	52,5	20,3	29,0	1100	3300	4,2	18	5,7	20	1,2	K4F9005504PK10BHL
55	57,5	55	45	52,5	20,3	29,0	1140	3420	4,2	19	5,4	20	1,2	K4F9005504PK11BHL
57	57,5	55	45	52,5	20,3	30,4	1140	3420	4,0	19	5,4	20	1,2	K4F9005704PK10BHL
65	57,5	65	45	52,5	20,3	33,3	1300	3900	3,5	20	5,1	20	1,2	K4F9006504PK10BHL
70	57,5	65	45	52,5	20,3	33,7	1400	4200	3,4	20	5,1	20	1,2	K4F9007004PK10BHL

RATED  
VOLTAGE  
900VDC

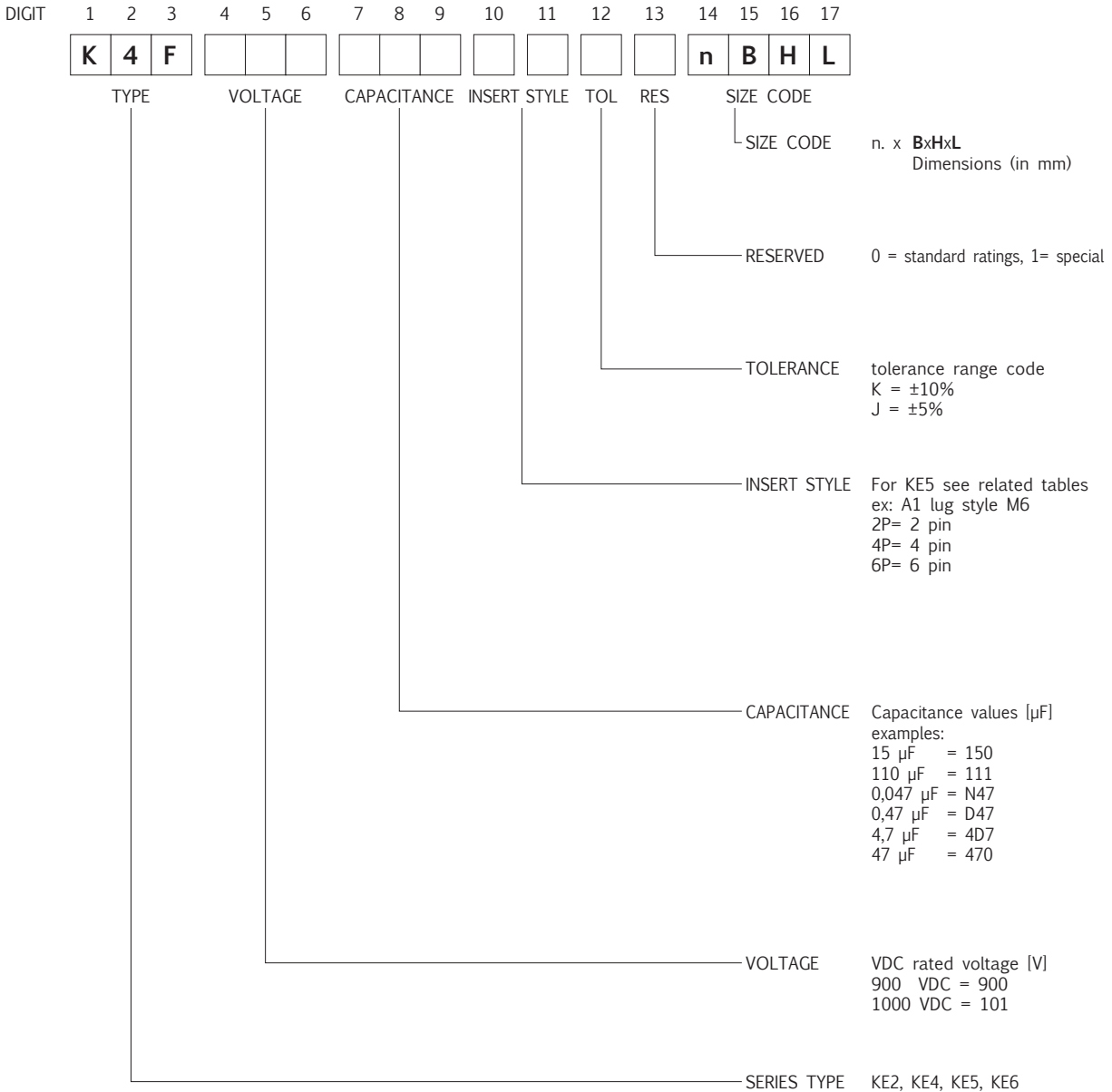
## K4F TYPE STANDARD RATINGS

Cap Value μF	Dimensions (mm)					I <sub>rms</sub> Max 75°C A(10KHz)	Peak Current A	Surge Current A	ESR <sup>Typical</sup> 10KHz mΩ	ESL nH	Thermal Res °C/W	dv/dt V/us	Lead Wire mm	PART NUMBER
	W	H	T	P	P1									
1,0	32	20	11	27,5	/	4,5	65	195	27,3	14	35,7	65	0,8	K4F1111D02PK10BHL
1,2	32	20	11	27,5	/	4,5	78	234	27,3	14	35,7	65	0,8	K4F1111D22PK10BHL
1,5	32	22	13	27,5	/	5,2	98	293	21,9	15	33,3	65	0,8	K4F1111D52PK10BHL
2	32	24,5	13	27,5	/	6,2	130	390	16,4	16	31,3	65	0,8	K4F1112D02PK10BHL
2,2	32	28	14	27,5	/	7,0	143	429	14,9	17	27,8	65	0,8	K4F1112D22PK10BHL
2,7	32	30	16	27,5	/	7,9	195	585	12,1	18	26,3	65	0,8	K4F1112D72PK10BHL
3	32	30	16	27,5	/	8,3	195	585	10,9	18	26,3	65	0,8	K4F1113D02PK10BHL
3,3	32	28	18	27,5	/	9,2	215	644	9,9	19	23,8	65	0,8	K4F1113D32PK10BHL
3,7	32	33	18	27,5	/	10,2	260	780	8,9	21	21,7	65	0,8	K4F1113D72PK10BHL
4	32	33	18	27,5	/	10,6	260	780	8,2	21	21,7	65	0,8	K4F1114D02PK10BHL
5	32	37	22	27,5	/	13,3	325	975	6,6	23	17,2	65	0,8	K4F1115D02PK10BHL
4,5	42	29	17	37,5	/	7,8	158	473	16,9	12	19,2	35	1,0	K4F1114D52PK10BHL
5,5	42	32	19	37,5	/	9,0	193	578	13,8	13	17,9	35	1,0	K4F1115D52PK10BHL
8	42	40	20	37,5	10,2	12,3	280	840	9,5	14	13,9	35	1,2	K4F1118D04PK10BHL
10	42	37	28	37,5	10,2	14,7	350	1050	7,6	15	12,2	35	1,2	K4F1111004PK10BHL
11	42	44	24	37,5	10,2	15,4	385	1155	6,9	15	12,2	35	1,2	K4F1111104PK10BHL
12	42	43	28	37,5	10,2	16,4	420	1260	6,3	16	11,8	35	1,2	K4F1111204PK10BHL
13	42	43	28	37,5	10,2	17,0	455	1365	5,8	16	11,8	35	1,2	K4F1111304PK10BHL
14	42	45	30	37,5	20,3	19,2	490	1470	5,4	16	10,0	35	1,2	K4F1111404PK10BHL
15	42	45	35	37,5	20,3	20,8	525	1575	5,1	17	9,1	35	1,2	K4F1111504PK10BHL
16	42	45	35	37,5	20,3	21,5	560	1680	4,8	17	9,1	35	1,2	K4F1111604PK10BHL
17	42	50	35	37,5	20,3	21,7	630	1890	5,1	17	8,3	35	1,2	K4F1111704PK10BHL
18	42	50	35	37,5	20,3	22,4	630	1890	4,8	17	8,3	35	1,2	K4F1111804PK10BHL
22	42	55	40	37,5	20,3	25,7	770	2310	3,9	18	7,7	35	1,2	K4F1112204PK10BHL
22	42	57	38	37,5	20,3	25,7	770	2310	3,9	18	7,7	35	1,2	K4F1112204PK11BHL
23	42	55	40	37,5	20,3	26,3	805	2415	3,8	18	7,7	35	1,2	K4F1112304PK10BHL
30	42	60	45	37,5	20,3	31,2	1050	3150	2,9	20	7,1	35	1,2	K4F1113004PK10BHL
15	57,5	45	25	52,5	10,2	13,7	300	900	11,7	14	9,1	20	1,2	K4F1111504PK11BHL
20	57,5	45	30	52,5	20,3	16,9	400	1200	8,8	15	8,0	20	1,2	K4F1112004PK10BHL
25	57,5	50	35	52,5	20,3	20,3	500	1500	7,0	17	6,9	20	1,2	K4F1112504PK10BHL
33	57,5	60	35	52,5	20,3	24,9	660	1980	5,3	18	6,1	20	1,2	K4F1113304PK10BHL
36	57,5	55	45	52,5	20,3	25,7	800	2400	5,2	18	5,4	20	1,2	K4F1113604PK10BHL
38	57,5	65	35	52,5	20,3	26,4	760	2280	5,0	18	5,7	20	1,2	K4F1113804PK10BHL
40	57,5	55	45	52,5	20,3	27,9	800	2400	4,8	19	5,4	20	1,2	K4F1114004PK10BHL
45	57,5	65	45	52,5	20,3	30,3	900	2700	4,2	20	5,1	20	1,2	K4F1114504PK10BHL

**RATED  
VOLTAGE  
110VDC**

## PART NUMBER SYSTEM FOR METALLIZED POLYPROPYLENE FILM CAPACITORS

New PART-NUMBER CODE in use since Sep 2010. Total length is 17 digits.  
Please see examples below and have a reference code from the standard ratings capacitors pages.

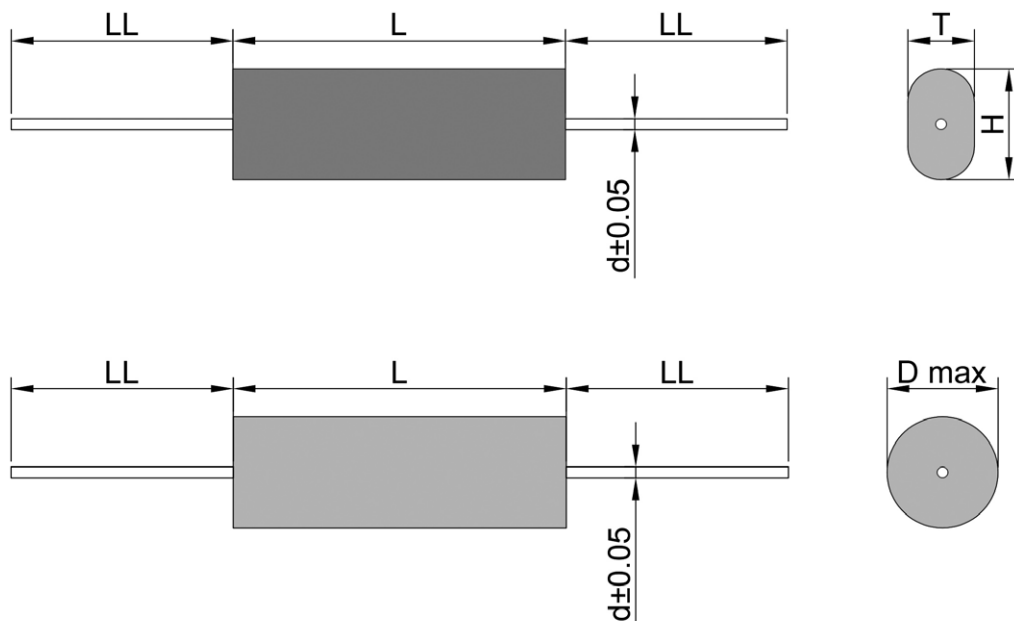


## K9E TYPE -40 +105°C 100000H

### Overview

The FSC Series is a polypropylene metallized film and double-sided metallized film with polyester tape wrapping filled with resin and tinned copper wires.

<b>Applications</b>	Widely used in high voltage, high frequency and pulse circuit and IGBT protection.
<b>Reference standard</b>	IEC 61071
<b>Construction</b>	Metallized Polypropylene Film
<b>Coating</b>	Polyester Tape Wrapping
<b>Terminals</b>	Tinned Copper Wire Terminal
<b>Operating temperature range</b>	-40°C to +105°C (85°C ~105°C, decreasing factor 1.35% per °C for Rated Voltage)
<b>Capacitance</b>	0.01μF to 4.7μF
<b>Rated Voltage</b>	600 to 3000 VDC
<b>Tolerance</b>	±5% or ±10% at +25°C
<b>Dissipation Factor</b>	0.0010 (25° C, 1KHz)
<b>Life Expectancy</b>	100,000 hours (UR, $\Theta_{\text{hotspot}} = 85^\circ\text{C}$ )
<b>Dielectric strength</b>	1.5 x VR VDC for 10 seconds @ +25°C ± 5°C
<b>Test Voltage terminal to case</b>	3000VAC, 50/60Hz 60s (at +25 ± 5°C)
<b>Insulation Resistance</b>	C ≤ 0.33 μF at 100 V; 1 min > 100 000 MΩ C > 0.33 μF at 100 V; 1 min > 30 000 MΩ*μF



## K9E TYPE STANDARD RATINGS

Cap Value μF	Dimensions (mm)				Irms Max 100KHz 70°C A	Peak Current A	ESR <sup>Typical</sup> 100KHz mΩ	ESL nH	dv/dt V/us	Lead Wire mm	PART NUMBER
	D	L	H	T							
0,1	/	34,0	12,0	6,0	3,0	25,0	28,0	17	250	0,8	K9E600D10E8K16DTH
0,15	/	34,0	13,0	7,0	4,5	37,5	13,0	18	250	0,8	K9E600D15E8K16DTH
0,22	/	34,0	14,5	8,0	5,0	55,0	12,0	19	250	0,8	K9E600D22E8K16DTH
0,33	/	34,0	16,0	10,0	6,0	82,5	9,0	19	250	0,8	K9E600D33E8K16DTH
0,47	/	34,0	18,0	12,0	7,5	117,5	8,0	20	250	1,0	K9E600D47E1K16DTH
0,68	/	34,0	20,5	14,5	9,0	170,0	6,0	21	250	1,0	K9E600D68E1K16DTH
1,0	/	34,0	23,5	17,5	10,0	250,0	6,0	23	250	1,0	K9E6001D0E1K16DTH
1,5	/	34,0	27,5	21,5	12,0	375,0	5,0	24	250	1,2	K9E6001D0E2K16DTH
2,0	/	46,0	27,5	18,5	13,0	400,0	5,0	28	200	1,2	K9E6002D0E2K17DTH
3,3	/	54,0	32,0	22,5	17,5	495,0	4,0	34	150	1,2	K9E6003D3E2K18DTH
4,7	/	54,0	33,5	28,5	19,0	705,0	4,0	36	150	1,2	K9E6004D7E2K18DTH

**RATED  
VOLTAGE  
600VDC**

Cap Value μF	Dimensions (mm)				Irms Max 100KHz 70°C A	Peak Current A	ESR <sup>Typical</sup> 100KHz mΩ	ESL nH	dv/dt V/us	Lead Wire mm	PART NUMBER
	D	L	H	T							
0,15	/	34,0	16,0	10,0	6,5	112,5	8,0	19	750	0,8	K9E850D15E8K16DTH
0,22	/	34,0	18,0	11,5	7,0	165,0	8,0	20	750	1,0	K9E850D22E1K16DTH
0,22	14,5	34,0	/	/	8,0	264,0	9,4	22	1200	1,0	K9E850D22R1K16DTH
0,22	12,0	46,0	/	/	7,0	154,0	11,3	26	700	0,8	K9E850D22R8K17DTH
0,33	/	34,0	20,5	14,5	8,5	247,5	7,0	21	750	1,0	K9E850D33E1K16DTH
0,33	17,5	34,0	/	/	9,0	396,0	8,8	22	1200	1,0	K9E850D33R1K16DTH
0,33	14,0	46,0	/	/	10,0	231,0	8,7	26	700	1,0	K9E850D33R1K17DTH
0,47	/	34,0	23,5	17,0	11,0	352,5	5,0	22	750	1,0	K9E850D47E1K16DTH
0,47	20,5	34,0	/	/	11,0	564,0	5,7	22	1200	1,0	K9E850D47R1K16DTH
0,47	16,5	46,0	/	/	9,0	329,0	7,2	26	700	1,0	K9E850D47R1K17DTH
0,68	/	34,0	27,0	21,0	13,5	510,0	4,0	24	750	1,2	K9E850D68E2K16DTH
0,68	19,5	46,0	/	/	13,0	476,0	4,6	26	700	1,0	K9E850D68R1K17DTH
1,0	/	46,0	27,0	17,5	13,0	450,0	5,0	28	450	1,2	K9E8501D0E2K17DTH
1,0	23,0	46,0	/	/	13,0	700,0	4,7	26	700	1,0	K9E8501D0R1K17DTH
1,5	/	46,0	31,0	21,5	16,0	675,0	4,0	30	450	1,2	K9E8501D5E2K17DTH
1,5	28,5	46,0	/	/	13,0	1050,0	4,0	26	700	1,2	K9E8501D5R2K17DTH
2,0	/	46,0	34,5	25,0	20,0	900,0	3,0	31	450	1,2	K9E8502D0E2K17DTH
2,0	32,0	46,0	/	/	13,0	1400,0	4,3	26	700	1,2	K9E8502D0R2K17DTH
2,2	/	46,0	36,0	26,5	20,5	990,0	3,0	32	450	1,2	K9E8502D2E2K17DTH
2,2	33,5	46,0	/	/	14,0	1540,0	3,3	26	700	1,2	K9E8502D2R2K17DTH
2,2	28,5	58,0	/	/	12,0	990,0	4,0	32	450	1,2	K9E8502D2R2K18DTH
2,5	/	46,0	38,0	28,5	21,5	1.125,0	3,0	33	450	1,2	K9E8502D5E2K17DTH
2,5	35,5	46,0	/	/	15,0	1750,0	3,7	26	700	1,2	K9E8502D5R2K17DTH
2,5	30,0	58,0	/	/	15,0	1125,0	4,0	32	450	1,2	K9E8502D5R2K18DTH
3,0	32,5	58,0	/	/	15,0	1350,0	3,7	32	450	1,2	K9E8503D0R2K18DTH
3,3	34,0	58,0	/	/	15,0	1485,0	3,3	32	450	1,2	K9E8503D3R2K18DTH
4,0	37,5	58,0	/	/	15,0	1800,0	3,3	32	450	1,2	K9E8504D0R2K18DTH
4,7	40,0	58,0	/	/	15,0	2115,0	2,9	32	450	1,2	K9E8504D7R2K18DTH

**RATED  
VOLTAGE  
850VDC**

## K9E TYPE STANDARD RATINGS

Cap Value $\mu\text{F}$	Dimensions (mm)				Irms Max 100KHz 70°C A	Peak Current A	ESR <sup>Typical</sup> 100KHz m $\Omega$	ESL nH	dv/dt V/us	Lead Wire mm	PART NUMBER
	D	L	H	T							
0,15	/	34,0	17,5	11,5	7,5	127,5	7,0	20	850	1,0	K9E101D15E1K16DTH
0,22	/	34,0	20,0	13,5	8,0	187,0	7,0	21	850	1,0	K9E101D22E1K16DTH
0,22	16,5	34,0	/	/	8,0	286,0	8,5	22	1300	1,0	K9E101D22R1K16DTH
0,33	/	34,0	23,0	17,0	10,0	280,5	6,0	22	850	1,0	K9E101D33E1K16DTH
0,33	20,0	34,0	/	/	9,0	429,0	6,5	22	1300	1,0	K9E101D33R1K16DTH
0,33	16,0	46,0	/	/	8,0	264,0	8,3	26	800	1,0	K9E101D33R1K17DTH
0,47	/	34,0	26,5	20,0	12,0	399,5	5,0	24	850	1,2	K9E101D47E2K16DTH
0,47	23,5	34,0	/	/	10,0	611,0	5,4	22	1300	1,0	K9E101D47R1K16DTH
0,47	18,5	46,0	/	/	9,0	376,0	6,7	26	800	1,0	K9E101D47R1K17DTH
0,68	/	34,0	30,5	24,5	13,0	578,0	5,0	26	850	1,2	K9E101D68E2K16DTH
0,68	22,0	46,0	/	/	12,0	544,0	5,7	26	800	1,0	K9E101D68R1K17DTH
1,0	/	46,0	30,0	20,5	14,0	500,0	5,0	24	500	1,2	K9E1011D0E2K17DTH
1,0	26,5	46,0	/	/	12,0	800,0	4,6	26	800	1,2	K9E1011D0R2K17DTH
1,5	/	46,0	35,0	25,5	17,5	750,0	4,0	31	500	1,2	K9E1011D5E2K17DTH
1,5	32,0	46,0	/	/	13,0	1200,0	5,2	26	800	1,2	K9E1011D5R2K17DTH
1,5	27,0	58,0	/	/	12,0	750,0	5,6	32	500	1,2	K9E1011D5R2K18DTH
2,0	/	46,0	39,0	30,0	22,0	1.000,0	3,0	33	500	1,2	K9E1012D0E2K17DTH
2,0	31,0	58,0	/	/	15,0	1000,0	4,3	32	500	1,2	K9E1012D0R2K18DTH
2,2	32,0	58,0	/	/	15,0	1100,0	3,9	32	500	1,2	K9E1012D2R2K18DTH
3,0	37,5	58,0	/	/	15,0	1500,0	3,4	32	500	1,2	K9E1013D0R2K18DTH
3,3	39,0	58,0	/	/	15,0	1650,0	3,1	32	500	1,2	K9E1013D3R2K18DTH

**RATED  
VOLTAGE  
1000VDC**

Cap Value $\mu\text{F}$	Dimensions (mm)				Irms Max 100KHz 70°C A	Peak Current A	ESR <sup>Typical</sup> 100KHz m $\Omega$	ESL nH	dv/dt V/us	Lead Wire mm	PART NUMBER
	D	L	H	T							
0,15	/	34,0	17,5	11,5	7,5	127,5	7,0	20	850	1,0	K9E101D15E1K16DTH
0,22	/	34,0	20,0	13,5	8,0	187,0	7,0	21	850	1,0	K9E101D22E1K16DTH
0,22	16,5	34,0	/	/	8,0	286,0	8,5	22	1300	1,0	K9E101D22R1K16DTH
0,33	/	34,0	23,0	17,0	10,0	280,5	6,0	22	850	1,0	K9E101D33E1K16DTH
0,33	20,0	34,0	/	/	9,0	429,0	6,5	22	1300	1,0	K9E101D33R1K16DTH
0,33	16,0	46,0	/	/	8,0	264,0	8,3	26	800	1,0	K9E101D33R1K17DTH
0,47	/	34,0	26,5	20,0	12,0	399,5	5,0	24	850	1,2	K9E101D47E2K16DTH
0,47	23,5	34,0	/	/	10,0	611,0	5,4	22	1300	1,0	K9E101D47R1K16DTH
0,47	18,5	46,0	/	/	9,0	376,0	6,7	26	800	1,0	K9E101D47R1K17DTH
0,68	/	34,0	30,5	24,5	13,0	578,0	5,0	26	850	1,2	K9E101D68E2K16DTH
0,68	22,0	46,0	/	/	12,0	544,0	5,7	26	800	1,0	K9E101D68R1K17DTH
1,0	/	46,0	30,0	20,5	14,0	500,0	5,0	24	500	1,2	K9E1011D0E2K17DTH
1,0	26,5	46,0	/	/	12,0	800,0	4,6	26	800	1,2	K9E1011D0R2K17DTH
1,5	/	46,0	35,0	25,5	17,5	750,0	4,0	31	500	1,2	K9E1011D5E2K17DTH
1,5	32,0	46,0	/	/	13,0	1200,0	5,2	26	800	1,2	K9E1011D5R2K17DTH
1,5	27,0	58,0	/	/	12,0	750,0	5,6	32	500	1,2	K9E1011D5R2K18DTH
2,0	/	46,0	39,0	30,0	22,0	1.000,0	3,0	33	500	1,2	K9E1012D0E2K17DTH
2,0	31,0	58,0	/	/	15,0	1000,0	4,3	32	500	1,2	K9E1012D0R2K18DTH
2,2	32,0	58,0	/	/	15,0	1100,0	3,9	32	500	1,2	K9E1012D2R2K18DTH
3,0	37,5	58,0	/	/	15,0	1500,0	3,4	32	500	1,2	K9E1013D0R2K18DTH

**RATED  
VOLTAGE  
1200VDC**

## K9E TYPE STANDARD RATINGS

Cap Value μF	Dimensions (mm)				Irms Max 100KHz 70°C A	Peak Current A	ESR <sup>Typical</sup> 100KHz mΩ	ESL nH	dv/dt V/us	Lead Wire mm	PART NUMBER
	D	L	H	T							
0,1	/	34,0	20,5	14,5	8,5	145,0	7,0	21	1.450	1,0	K9E161D10E1K16DTH
0,15	/	34,0	24,0	18,0	11,0	217,5	5,0	23	1.450	1,0	K9E161D15E1K16DTH
0,22	/	34,0	28,0	21,5	10,5	319,0	7,0	24	1.450	1,2	K9E161D22E2K16DTH
0,33	/	46,0	27,5	18,5	11,0	264,0	7,0	23	800	1,2	K9E161D33E2K17DTH
0,47	/	46,0	31,5	22,0	13,0	376,0	6,0	30	800	1,2	K9E161D47E2K17DTH
0,68	/	46,0	36,5	27,0	14,5	544,0	6,0	32	800	1,2	K9E161D68E2K17DTH
1,0	/	46,0	42,5	33,0	18,0	800,0	5,0	35	800	1,2	K9E1611D0E2K17DTH
1,5	/	54,0	47,0	34,5	22,5	975,0	4,0	39	650	1,2	K9E1611D5E2K18DTH

**RATED  
VOLTAGE  
1600VDC**

Cap Value μF	Dimensions (mm)				Irms Max 100KHz 70°C A	Peak Current A	ESR <sup>Typical</sup> 100KHz mΩ	ESL nH	dv/dt V/us	Lead Wire mm	PART NUMBER
	D	L	H	T							
0,022	/	34,0	14,5	8,0	3,0	38,5	35,0	18	1.750	0,8	K9E20122NE8K16DTH
0,033	/	34,0	16,0	10,0	4,0	57,8	20,0	19	1.750	0,8	K9E20133NE8K16DTH
0,047	/	34,0	18,0	11,5	6,0	82,3	12,0	20	1.750	1,0	K9E20147NE1K16DTH
0,047	14,0	34,0	/	/	5,0	56,4	30,0	26	1200	0,8	K9E20147NR8K16DTH
0,047	11,0	46,0	/	/	5,0	56,4	30,0	26	1200	0,8	K9E20147NR8K17DTH
0,068	/	34,0	20,5	14,0	8,0	119,0	8,0	21	1.750	1,0	K9E20168NE1K16DTH
0,068	16,0	34,0	/	/	7,0	136,0	16,8	22	2000	1,0	K9E20168NR1K16DTH
0,068	13,0	46,0	/	/	6,0	81,6	23,3	26	1200	1,0	K9E20168NR1K17DTH
0,10	/	34,0	23,5	17,0	9,0	175,0	7,0	22	1.750	1,0	K9E201D10E1K16DTH
0,10	19,0	34,0	/	/	10,0	200,0	12,0	22	2000	1,0	K9E201D10R1K16DTH
0,10	15,5	46,0	/	/	9,0	120,0	17,7	26	1200	1,0	K9E201D10R1K17DTH
0,15	/	46,0	23,5	14,0	10,0	144,0	7,0	21	960	1,0	K9E201D15E1K17DTH
0,15	18,5	46,0	/	/	12,0	180,0	9,5	26	1200	1,0	K9E201D15R1K17DTH
0,22	/	46,0	27,0	17,5	10,5	211,2	8,0	28	960	1,0	K9E201D22E1K17DTH
0,22	21,5	46,0	/	/	13,0	264,0	8,6	26	1200	1,0	K9E201D22R1K17DTH
0,33	/	46,0	31,5	22,0	11,5	316,8	8,0	30	960	1,2	K9E201D33E2K17DTH
0,33	26,5	46,0	/	/	14,0	396,0	6,7	26	1200	1,2	K9E201D33R2K17DTH
0,47	/	46,0	36,0	26,5	14,5	451,2	6,0	32	960	1,2	K9E201D47E2K17DTH
0,47	32,0	46,0	/	/	14,0	564,0	5,6	26	1200	1,2	K9E201D47R2K17DTH
0,56	/	54,0	36,5	24,0	14,0	425,6	7,0	31	760	1,2	K9E201D56E2K18DTH
0,56	34,5	46,0	/	/	15,0	672,0	5,2	26	1200	1,2	K9E201D56R2K17DTH
0,56	29,0	58,0	/	/	15,0	392,0	6,5	32	700	1,2	K9E201D56R2K18DTH
0,68	/	54,0	39,5	27,0	16,0	516,8	6,0	35	760	1,2	K9E201D68E2K18DTH
0,68	31,0	58,0	/	/	15,0	476,0	5,7	32	700	1,2	K9E201D68R2K18DTH
1,0	/	54,0	45,5	33,0	19,5	760,0	5,0	38	760	1,2	K9E2011D0E2K18DTH
1,0	37,5	58,0	/	/	15,0	700,0	4,7	32	700	1,2	K9E2011D0R2K18DTH
1,2	40,5	58,0	/	/	15,0	840,0	4,3	32	700	1,2	K9E2011D2R2K18DTH

**RATED  
VOLTAGE  
2000VDC**

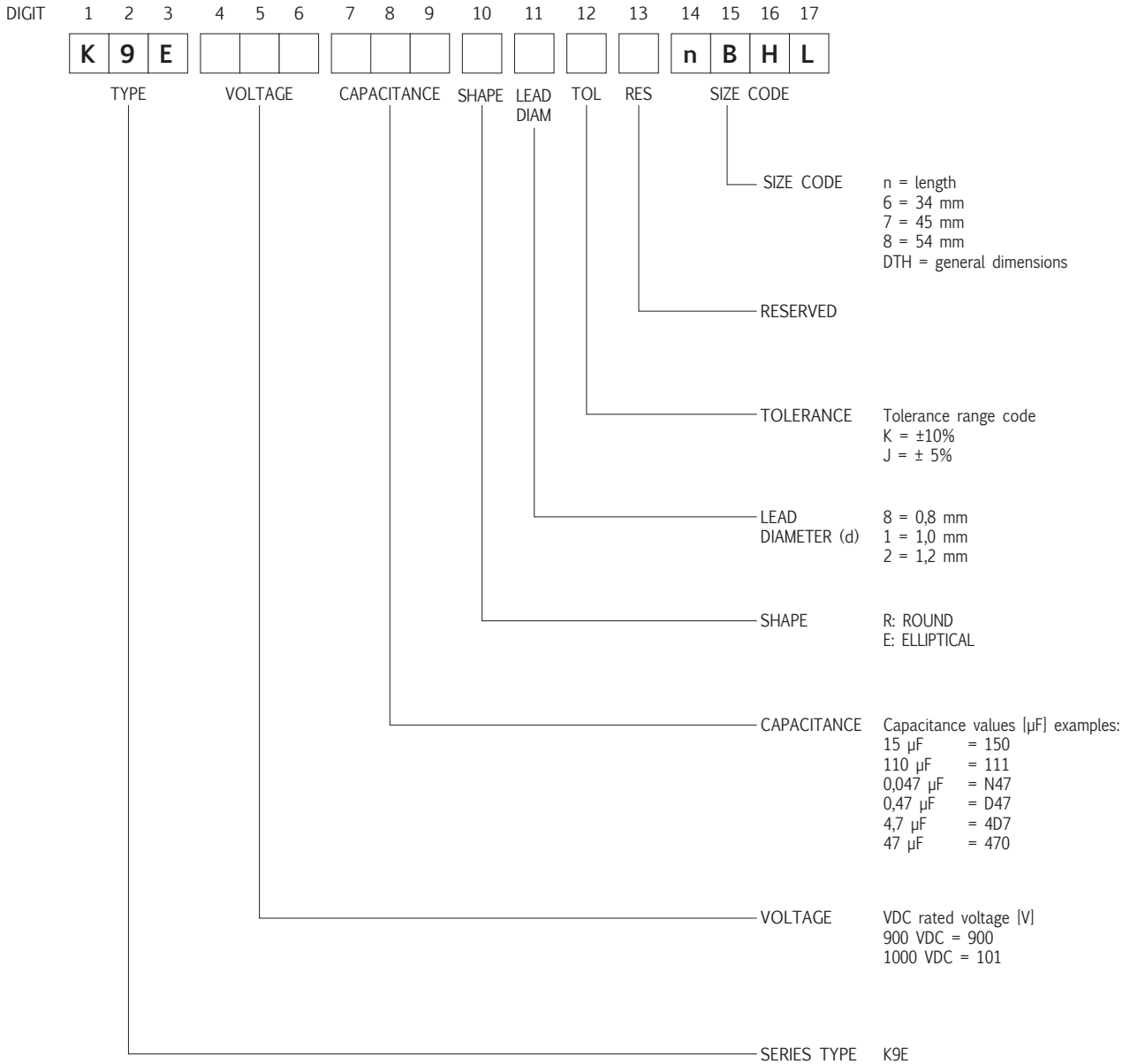
## K9E TYPE STANDARD RATINGS

**RATED  
VOLTAGE  
3000VDC**

Cap Value μF	Dimensions (mm)				Irms Max 100KHz 70°C	Peak Current	ESR <sup>Typical</sup> 100KHz	ESL	dv/dt	Lead Wire	PART NUMBER
	D	L	H	T	A	A	mΩ	nH	V/us	mm	
0,01	/	34,0	14,0	8,0	2,5	26,0	60,0	18	2600	0,8	K9E3011N0E8K16DTH
0,015	/	34,0	16,0	9,5	3,0	39,0	40,0	19	2600	0,8	K9E30115NE8K16DTH
0,022	/	34,0	18,0	11,5	4,0	57,2	25,0	20	2600	1,0	K9E30122NE1K16DTH
0,033	/	34,0	20,5	14,5	6,0	85,8	14,0	21	2600	1,0	K9E30133NE1K16DTH
0,047	/	46,0	21,0	11,5	6,5	70,5	14,0	20	1500	1,0	K9E30147NE1K17DTH
0,068	/	46,0	23,5	14,0	7,5	102,0	12,0	26	1500	1,0	K9E30168NE1K17DTH
0,10	/	46,0	26,5	17,0	9,0	150,0	10,0	28	1500	1,2	K9E301D10E2K17DTH
0,15	/	46,0	31,0	21,5	11,5	225,0	8,0	30	1500	1,2	K9E301D15E2K17DTH

## PART NUMBER SYSTEM FOR METALLIZED POLYPROPYLENE FILM CAPACITORS

New PART-NUMBER CODE in use since Sep 2010. Total length is 17 digits.  
Please see examples below and have a reference code from the standard ratings capacitors pages.

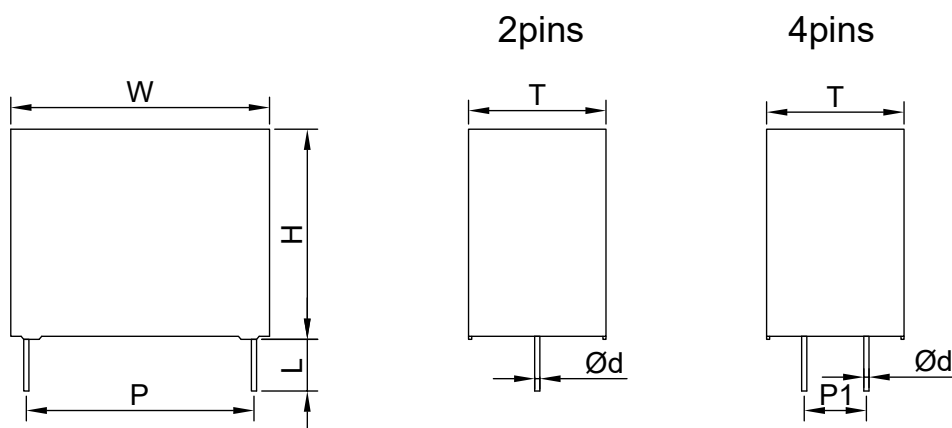


## KE4 TYPE -40 +105°C 100000H

### Overview

The KE4 series is constructed of metallized polypropylene film and double-sided metallized film as electrodes with radial leads of tinned wires. The capacitor is encapsulated in plastic cases, sealed with epoxy resin.

<b>Applications</b>	Widely used in snubber and silicon-controlled rectifier (SCR and IGBT) and SiC (MOSFET) commutation circuits. Suitable for applications with high frequency, high current, high voltage, and high temperature.
<b>Reference standard</b>	IEC 60384-16
<b>Construction</b>	Metallized Polypropylene Film
<b>Coating</b>	Plastic Box
<b>Terminals</b>	Tinned Copper Terminal Wires
<b>Operating temperature range</b>	-40°C to +105°C (85°C ~105°C, decreasing factor 1.25% per °C for Rated Voltage)
<b>Capacitance</b>	0.001μF to 4.7μF
<b>Rated Voltage</b>	630 to 2000 VDC
<b>Tolerance</b>	±5% or ±10% at +25°C
<b>Dissipation Factor</b>	0.0010 (25° C, 1KHz)
<b>Life Expectancy</b>	100,000 hours (UR, Θhotspot=85°C)
<b>Dielectric strength</b>	1.5 x VR VDC for 10 seconds @ +25°C ± 5°C
<b>Test Voltage terminal to case</b>	3000VAC, 50/60Hz 60s (at +25 ± 5°C)
<b>Insulation Resistance</b>	C ≤ 0.33 μF at 100 V; 1 min > 100 000 MΩ C > 0.33 μF at 100 V; 1 min > 30 000 MΩ*μF



## KE4 TYPE STANDARD RATINGS

**RATED  
VOLTAGE  
630VDC  
400VAC**

Cap Value μF	Dimensions (mm)				I <sub>rms</sub> Max 100KHz 70°C A	Peak Current A	ESR <sup>Typical</sup> 100KHz mΩ	ESL nH	dv/dt V/us	Lead Wire mm	PART NUMBER
	W	H	T	P							
0,010	18	11	5	15	1,8	30	62	12	3000	0,8	KE463010N2PK10BHL
0,012	18	11	5	15	2,2	36	52	12	3000	0,8	KE463012N2PK10BHL
0,015	18	11	5	15	2,5	45	42	12	3000	0,8	KE463015N2PK10BHL
0,018	18	11	5	15	2,7	54	35	12	3000	0,8	KE463018N2PK10BHL
0,020	18	11	5	15	2,8	60	32	12	3000	0,8	KE463020N2PK10BHL
0,022	18	11	5	15	2,9	66	30	12	3000	0,8	KE463022N2PK10BHL
0,027	18	12	6	15	3,2	81	25	12	3000	0,8	KE463027N2PK10BHL
0,033	18	12	6	15	3,7	99	20	12	3000	0,8	KE463033N2PK10BHL
0,039	18	12	6	15	3,9	117	16	12	3000	0,8	KE463039N2PK10BHL
0,047	18	13,5	7,5	15	4,5	141	15	12	3000	0,8	KE463047N2PK10BHL
0,047	26	15,5	6	22,5	3,8	70,5	20	15	1500	0,8	KE463047N2PK11BHL
0,056	18	13,5	7,5	15	4,6	168	14	12	3000	0,8	KE463056N2PK10BHL
0,056	26	15,5	6	22,5	4	84	19,5	15	1500	0,8	KE463056N2PK11BHL
0,068	18	14,5	8,5	15	4,7	204	13,5	12	3000	0,8	KE463068N2PK10BHL
0,068	26	15,5	6	22,5	4,2	102	19	15	1500	0,8	KE463068N2PK11BHL
0,082	18	16	10	15	4,8	246	13,2	12	3000	0,8	KE463082N2PK10BHL
0,082	26	15,5	6	22,5	4,5	123	18	15	1500	0,8	KE463082N2PK11BHL
0,100	18	16	10	15	5	300	13	12	3000	0,8	KE4630D102PK10BHL
0,100	26	15,5	6	22,5	5	150	16	15	1500	0,8	KE4630D102PK11BHL
0,120	18	19	11	15	5,4	360	12,5	12	3000	0,8	KE4630D122PK10BHL
0,120	26	16,5	7	22,5	5,3	180	14	15	1500	0,8	KE4630D122PK11BHL
0,150	26	17	8,5	22,5	6	225	11	15	1500	0,8	KE4630D152PK10BHL
0,150	32	17	8	27,5	4,6	135	25	20	900	0,8	KE4630D152PK11BHL
0,180	26	17	8,5	22,5	6,5	270	10	15	1500	0,8	KE4630D182PK10BHL
0,180	32	17	8	27,5	4,8	162	22	20	900	0,8	KE4630D182PK11BHL
0,220	26	19	10	22,5	7,5	330	8,5	15	1500	0,8	KE4630D222PK10BHL
0,220	32	18	9	27,5	5	198	20	20	900	0,8	KE4630D222PK11BHL
0,270	26	20	11	22,5	8,5	405	6,5	15	1500	0,8	KE4630D272PK10BHL
0,270	32	20	11	27,5	5,5	243	17,5	20	900	0,8	KE4630D272PK11BHL
0,330	26	20	11	22,5	9	495	6	15	1500	0,8	KE4630D332PK10BHL
0,330	32	20	11	27,5	5,8	297	16,5	20	900	0,8	KE4630D332PK11BHL
0,330	42	22	11	37,5	6,8	165	13	25	500	1,0	KE4630D332PK12BHL
0,390	26	22	12	22,5	10	585	5	15	1500	0,8	KE4630D392PK10BHL
0,390	32	20	11	27,5	6	351	16	20	900	0,8	KE4630D392PK11BHL
0,470	32	22	13	27,5	6,5	423	14	20	900	0,8	KE4630D472PK10BHL
0,470	42	22	11	37,5	7	235	12,5	25	500	1,0	KE4630D472PK11BHL
0,560	32	22	13	27,5	7	504	12	20	900	0,8	KE4630D562PK10BHL
0,560	42	22	11	37,5	7,5	280	11	25	500	1,0	KE4630D562PK11BHL
0,680	32	24,5	13	27,5	7,5	612	10,5	20	900	0,8	KE4630D682PK10BHL
0,680	42	22	11	37,5	8	340	10,5	25	500	1,0	KE4630D682PK11BHL
0,820	32	28	14	27,5	8,5	738	9	20	900	0,8	KE4630D822PK10BHL
0,820	42	28,5	16	37,5	8	410	10,5	25	500	1,0	KE4630D822PK11BHL
1,000	32	33	18	27,5	10	900	7	20	900	0,8	KE46301D02PK10BHL
1,000	42	28,5	16	37,5	8,5	500	10	25	500	1,0	KE46301D02PK11BHL
1,200	32	33	18	27,5	13	1080	6	20	900	0,8	KE46301D22PK10BHL

## KE4 TYPE STANDARD RATINGS

1,500	32	37	22	27,5	15	1350	5	20	900	1,0	KE46301D52PK10BHL
1,500	42	28,5	16	37,5	9,5	750	9	25	500	1,0	KE46301D52PK11BHL
1,800	32	37	22	27,5	16	1620	4	20	900	1,0	KE46301D82PK10BHL
1,800	42	32	19	37,5	10,5	900	8,5	25	500	1,0	KE46301D82PK11BHL
2,200	42	40	20	37,5	11,5	1100	8	25	500	1,0	KE46302D22PK10BHL
2,700	42	40	20	37,5	13	1350	7	25	500	1,0	KE46302D72PK10BHL
3,300	42	44	24	37,5	14	1650	6	25	500	1,0	KE46303D32PK10BHL
3,900	42	45	30	37,5	15	1950	5	25	500	1,0	KE46303D92PK10BHL
4,700	42	50	35	37,5	16	2350	4	25	500	1,0	KE46304D72PK10BHL

**RATED  
VOLTAGE  
630VDC  
400VAC**

Cap Value µF	Dimensions (mm)				Irms Max 100KHz A	Peak Current A	ESR <sup>Typical</sup> 100KHz mΩ	ESL nH	dv/dt V/us	Lead Wire mm	PART NUMBER
	W	H	T	P							
0,008	18	11	5	15	1,5	28,7	80	10	3500	0,8	KE41018N22PK10BHL
0,010	18	11	5	15	1,8	35	62	12	3500	0,8	KE410110N2PK10BHL
0,012	18	11	5	15	2,2	42	52	12	3500	0,8	KE410112N2PK10BHL
0,015	18	11	5	15	2,5	52,5	42	12	3500	0,8	KE410115N2PK10BHL
0,018	18	11	5	15	2,7	63	35	12	3500	0,8	KE410118N2PK10BHL
0,020	18	12	6	15	2,8	70	32	10	3500	0,8	KE410120N2PK10BHL
0,022	18	12	6	15	3	77	29	10	3500	0,8	KE410122N2PK10BHL
0,027	18	13,5	7,5	15	3,5	94,5	24	12	3500	0,8	KE410127N2PK10BHL
0,027	26	15,5	6	22,5	3,8	56,7	24	15	2100	0,8	KE410127N2PK11BHL
0,033	18	13,5	7,5	15	4	115,5	19	12	3500	0,8	KE410133N2PK10BHL
0,033	26	15,5	6	22,5	4,3	69,3	19	15	2100	0,8	KE410133N2PK11BHL
0,039	18	14,5	8,5	15	4,5	136,5	16	12	3500	0,8	KE410139N2PK10BHL
0,039	26	15,5	6	22,5	4,8	81,9	16	15	2100	0,8	KE410139N2PK11BHL
0,047	18	14,5	8,5	15	4,9	164,5	14	12	3500	0,8	KE410147N2PK10BHL
0,047	26	16,5	7	22,5	5	98,7	15	15	2100	0,8	KE410147N2PK11BHL
0,056	26	16,5	7	22,5	5,4	117,6	14,5	15	2100	0,8	KE410156N2PK10BHL
0,068	26	17	8,5	22,5	5,6	142,8	14	15	2100	0,8	KE410168N2PK10BHL
0,082	26	19	10	22,5	5,8	172,2	13,5	15	2100	0,8	KE410182N2PK10BHL
0,100	26	19	10	22,5	6	210	13	15	2100	0,8	KE4101D102PK10BHL
0,100	32	17	8	27,5	4,5	90	25	20	900	0,8	KE4101D102PK11BHL
0,120	26	20	11	22,5	6,5	180	12,5	15	1500	0,8	KE4101D122PK10BHL
0,120	32	18	9	27,5	4,8	108	22	20	900	0,8	KE4101D122PK11BHL
0,150	26	22	12	22,5	7	225	11	15	1500	0,8	KE4101D152PK10BHL
0,150	32	20	11	27,5	5	135	21	20	900	0,8	KE4101D152PK11BHL
0,180	32	22	13	27,5	5,5	162	18	20	900	0,8	KE4101D182PK10BHL
0,180	42	22	11	37,5	6	90	18	25	500	1,0	KE4101D182PK11BHL
0,220	32	22	13	27,5	6	198	14	20	900	0,8	KE4101D222PK10BHL
0,220	42	22	11	37,5	6,5	110	14	25	500	1,0	KE4101D222PK11BHL
0,270	32	24,5	13	27,5	6,5	243	13,5	20	900	0,8	KE4101D272PK10BHL
0,270	42	24	13	37,5	6,8	135	13	25	500	1,0	KE4101D272PK11BHL
0,330	32	28	14	27,5	7	297	12	20	900	0,8	KE4101D332PK10BHL

**RATED  
VOLTAGE  
1000VDC  
600VAC**

## KE4 TYPE STANDARD RATINGS

0,330	42	24	13	37,5	7,2	165	12	25	500	1,0	KE4101D332PK11BHL
0,390	32	33	18	27,5	7,5	351	11	20	900	0,8	KE4101D392PK10BHL
0,390	42	28	17	37,5	7,4	195	11,5	25	500	1,0	KE4101D392PK11BHL
0,470	32	33	18	27,5	8	423	10	20	900	0,8	KE4101D472PK10BHL
0,470	42	28	17	37,5	7,6	235	11	25	500	1,0	KE4101D472PK11BHL
0,560	32	37	22	27,5	8,5	504	9	20	900	1,0	KE4101D562PK10BHL
0,560	42	28	17	37,5	8	280	10,5	25	500	1,0	KE4101D562PK11BHL
0,680	32	37	22	27,5	9,5	612	8	20	900	1,0	KE4101D682PK10BHL
0,680	42	32	19	37,5	8,5	340	10	25	500	1,0	KE4101D682PK11BHL
0,820	42	40	20	37,5	10	410	9	25	500	1,0	KE4101D822PK10BHL
1,000	42	40	20	37,5	11	500	7	25	500	1,0	KE41011D02PK10BHL
1,200	42	44	24	37,5	12	600	6,5	25	500	1,0	KE41011D22PK10BHL
1,500	42	44	24	37,5	13	750	6	25	500	1,0	KE41011D52PK10BHL
1,800	42	45	30	37,5	15	900	5	25	500	1,0	KE41011D82PK10BHL
2,200	42	45	30	37,5	16	1100	4	25	500	1,0	KE41012D22PK10BHL

**RATED  
VOLTAGE  
1000VDC  
600VAC**

Cap Value µF	Dimensions (mm)				I <sub>rms</sub> Max 100KHz 70°C A	Peak Current A	ESR <sup>Typical</sup> 100KHz mΩ	ESL nH	dv/dt V/us	Lead Wire mm	PART NUMBER
-----------------	-----------------	--	--	--	--	----------------------	--	-----------	---------------	--------------------	-------------

0,008	18	11	5	15	1,7	28,7	95	10	3500	0,8	KE41318N22PK10BHL
0,010	18	11	5	15	2	35	65	12	3500	0,8	KE413110N2PK10BHL
0,012	18	11	5	15	2,2	42	52	12	3500	0,8	KE413112N2PK10BHL
0,015	18	11	5	15	2,5	52,5	42	12	3500	0,8	KE413115N2PK10BHL
0,018	18	12	6	15	2,8	63	38	12	3500	0,8	KE413118N2PK10BHL
0,020	18	12	6	15	2,9	70	36	10	3500	0,8	KE413120N2PK10BHL
0,022	18	13	7	15	3,1	77	32	10	3500	0,8	KE413122N2PK10BHL
0,027	18	13,5	7,5	15	3,7	94,5	26	12	3500	0,8	KE413127N2PK10BHL
0,027	26	15,5	6	22,5	3,5	56,7	24	15	2100	0,8	KE413127N2PK11BHL
0,033	18	14,5	8,5	15	4	115,5	19	12	3500	0,8	KE413133N2PK10BHL
0,033	26	15,5	6	22,5	4	69,3	19	15	2100	0,8	KE413133N2PK11BHL
0,039	18	16	9	15	4,5	136,5	16	12	3500	0,8	KE413139N2PK10BHL
0,039	26	15,5	6	22,5	4,8	81,9	16	15	2100	0,8	KE413139N2PK11BHL
0,047	18	16	10	15	4,8	164,5	15	12	3500	0,8	KE413147N2PK10BHL
0,047	26	16,5	7	22,5	5	98,7	15	15	2100	0,8	KE413147N2PK11BHL
0,056	18	19	11	15	5	196	14	12	3500	0,8	KE413156N2PK10BHL
0,056	26	16,5	7	22,5	5,4	117,6	14,5	15	2100	0,8	KE413156N2PK11BHL
0,068	26	17	8,5	22,5	6	142,8	14	15	2100	0,8	KE413168N2PK10BHL
0,082	26	19	10	22,5	6,5	172,2	13,5	15	2100	0,8	KE413182N2PK10BHL
0,100	26	19	10	22,5	7	210	13	15	2100	0,8	KE4131D102PK10BHL
0,100	32	17	8	27,5	5,8	90	19	20	900	0,8	KE4131D102PK11BHL
0,120	26	20	11	22,5	6,5	180	12,5	15	1500	0,8	KE4131D122PK10BHL
0,120	32	18	9	27,5	6,2	108	18	20	900	0,8	KE4131D122PK11BHL
0,150	26	22	12	22,5	7	225	12	15	1500	0,8	KE4131D152PK10BHL
0,150	32	20	11	27,5	6,8	135	15	20	900	0,8	KE4131D152PK11BHL
0,180	26	24,5	13	22,5	7,5	270	11	15	1500	0,8	KE4131D182PK10BHL
0,180	32	22	13	27,5	7	162	14	20	900	0,8	KE4131D182PK11BHL
0,180	42	22	11	37,5	5,8	90	19	25	500	1,0	KE4131D182PK12BHL

**RATED  
VOLTAGE  
1300VDC  
620VAC**

## KE4 TYPE STANDARD RATINGS

**RATED  
VOLTAGE  
1300VDC  
620VAC**

0,220	26	29,5	14,5	22,5	8,5	330	9,5	15	1500	0,8	KE4131D222PK10BHL
0,220	32	22	13	27,5	7,5	198	12	20	900	0,8	KE4131D222PK11BHL
0,220	42	22	11	37,5	6	110	18	25	500	1,0	KE4131D222PK12BHL
0,270	32	24	14	27,5	8	243	11	20	900	0,8	KE4131D272PK10BHL
0,270	42	24	13	37,5	6,2	135	16,5	25	500	1,0	KE4131D272PK11BHL
0,330	32	28	14	27,5	8,5	297	10	20	900	0,8	KE4131D332PK10BHL
0,330	42	24	13	37,5	6,5	165	15	25	500	1,0	KE4131D332PK11BHL
0,390	32	30	16	27,5	9	351	9,5	20	900	0,8	KE4131D392PK10BHL
0,390	42	28	17	37,5	7,4	195	13	25	500	1,0	KE4131D392PK11BHL
0,470	32	33	18	27,5	9,5	423	9	20	900	0,8	KE4131D472PK10BHL
0,470	42	28	17	37,5	7,6	235	12,5	25	500	1,0	KE4131D472PK11BHL
0,560	32	37	22	27,5	10	504	8,5	20	900	1,0	KE4131D562PK10BHL
0,560	42	28	17	37,5	8,5	280	11,5	25	500	1,0	KE4131D562PK11BHL
0,680	32	37	22	27,5	11	612	8	20	900	1,0	KE4131D682PK10BHL
0,680	42	32	19	37,5	9	340	11	25	500	1,0	KE4131D682PK11BHL
0,820	42	40	20	37,5	10	410	9	25	500	1,0	KE4131D822PK10BHL
1,000	42	40	20	37,5	11,5	500	8	25	500	1,0	KE4131D02PK10BHL
1,200	42	44	24	37,5	12,5	600	7	25	500	1,0	KE4131D22PK10BHL
1,500	42	43	28	37,5	14	750	5,8	25	500	1,0	KE4131D52PK10BHL
1,800	42	45	30	37,5	16	900	5	25	500	1,0	KE4131D82PK10BHL

**RATED  
VOLTAGE  
1600VDC  
650VAC**

Cap Value µF	Dimensions (mm)				Irms Max 100KHz 70°C A	Peak Current A	ESR <sup>Typical</sup> 100KHz mΩ	ESL nH	dv/dt V/us	Lead Wire mm	PART NUMBER
0,003	18	11	5	15	1,1	19,8	190	12	6000	0,8	KE41613N32PK10BHL
0,005	18	11	5	15	1,3	28,2	165	12	6000	0,8	KE41614N72PK10BHL
0,006	18	11	5	15	1,4	33,6	120	12	6000	0,8	KE41615N62PK10BHL
0,007	18	11	5	15	1,6	40,8	100	12	6000	0,8	KE41616N82PK10BHL
0,008	18	11	5	15	1,8	49,2	95	12	6000	0,8	KE41618N22PK10BHL
0,010	18	11	5	15	2	60	65	12	6000	0,8	KE416110N2PK10BHL
0,012	18	12	6	15	2,3	72	50	12	6000	0,8	KE416112N2PK10BHL
0,015	18	12	6	15	2,5	90	45	12	6000	0,8	KE416115N2PK10BHL
0,015	26	15,5	6	22,5	2,8	45	40	15	3000	0,8	KE416115N2PK11BHL
0,018	18	13,5	7,5	15	3	108	35	12	6000	0,8	KE416118N2PK10BHL
0,022	18	13,5	7,5	15	3,2	132	30	12	6000	0,8	KE416122N2PK10BHL
0,022	26	15,5	6	22,5	3,5	66	30	15	3000	0,8	KE416122N2PK11BHL
0,027	18	14,5	8,5	15	3,8	162	25	12	6000	0,8	KE416127N2PK10BHL
0,033	18	14,5	8,5	15	4	198	20	12	6000	0,8	KE416133N2PK10BHL
0,033	26	15,5	6	22,5	4	99	20	15	3000	0,8	KE416133N2PK11BHL
0,039	26	16,5	7	22,5	4,8	117	16	15	3000	0,8	KE416139N2PK10BHL
0,039	32	17	8	27,5	3,8	78	30	20	2000	0,8	KE416139N2PK11BHL
0,047	26	16,5	7	22,5	5,2	141	15	15	3000	0,8	KE416147N2PK10BHL
0,047	32	17	8	27,5	4	94	29	20	2000	0,8	KE416147N2PK11BHL
0,056	26	17	8,5	22,5	5,4	168	14	15	3000	0,8	KE416156N2PK10BHL
0,056	32	17	8	27,5	4,5	112	28	20	2000	0,8	KE416156N2PK11BHL
0,068	26	19	10	22,5	5,8	204	13	15	3000	0,8	KE416168N2PK10BHL
0,068	32	18	9	27,5	5	136	24	20	2000	0,8	KE416168N2PK11BHL

## KE4 TYPE STANDARD RATINGS

0,082	26	19	10	22,5	6	246	12	15	3000	0,8	KE416182N2PK10BHL
0,082	32	20	11	27,5	5,5	164	20	20	2000	0,8	KE416182N2PK11BHL
0,082	42	22	11	37,5	4,8	98,4	28	25	1200	1,0	KE416182N2PK12BHL
0,100	26	20	11	22,5	6,5	300	11	15	3000	0,8	KE4161D102PK10BHL
0,100	32	22	13	27,5	6	200	18	20	2000	0,8	KE4161D102PK11BHL
0,100	42	22	11	37,5	5	120	24	25	1200	1,0	KE4161D102PK12BHL
0,120	32	22	13	27,5	6,5	240	16	20	2000	0,8	KE4161D122PK10BHL
0,120	42	22	11	37,5	5,5	144	22	25	1200	1,0	KE4161D122PK11BHL
0,150	32	24,5	13	27,5	7	300	14	20	2000	0,8	KE4161D152PK10BHL
0,150	42	22	11	37,5	5,8	180	20	25	1200	1,0	KE4161D152PK11BHL
0,180	32	28	14	27,5	7,5	360	12	20	2000	0,8	KE4161D182PK10BHL
0,180	42	24	13	37,5	6	216	18	25	1200	1,0	KE4161D182PK11BHL
0,220	32	33	18	27,5	8,5	440	10	20	2000	0,8	KE4161D222PK10BHL
0,220	42	24	13	37,5	6,2	264	17	25	1200	1,0	KE4161D222PK11BHL
0,270	32	33	18	27,5	9	540	9,5	20	2000	0,8	KE4161D272PK10BHL
0,270	42	24	13	37,5	6,5	324	15	25	1200	1,0	KE4161D272PK11BHL
0,330	32	33	18	27,5	10	660	8	20	2000	0,8	KE4161D332PK10BHL
0,330	42	28,5	16	37,5	6,8	396	14	25	1200	1,0	KE4161D332PK11BHL
0,390	32	37	22	27,5	11	780	7	20	2000	1,0	KE4161D392PK10BHL
0,390	42	28,5	16	37,5	7,5	468	12,5	25	1200	1,0	KE4161D392PK11BHL
0,470	32	37	22	27,5	12	940	6	20	2000	1,0	KE4161D472PK10BHL
0,470	42	32	19	37,5	8	564	12	25	1200	1,0	KE4161D472PK11BHL
0,560	42	40	20	37,5	9	672	11	25	1200	1,0	KE4161D562PK10BHL
0,680	42	40	20	37,5	9,5	816	10,5	25	1200	1,0	KE4161D682PK10BHL
0,820	42	44	24	37,5	10,5	984	9	25	1200	1,0	KE4161D822PK10BHL
1,000	42	44	24	37,5	12	1200	7,5	25	1200	1,0	KE41611D02PK10BHL
1,200	42	45	30	37,5	14	1440	6	25	1200	1,0	KE41611D22PK10BHL

**RATED  
VOLTAGE  
1600VDC  
650VAC**

Cap Value µF	Dimensions (mm)				Irms Max 100KHz A	Peak Current A	ESR <sup>Typical</sup> 100KHz mΩ	ESL nH	dv/dt V/us	Lead Wire mm	PART NUMBER
0,001	18	11	5	15	0,5	9,5	630	12	9500	0,8	KE42011N02PK10BHL
0,001	26	15,5	6	22,5	0,6	4,5	550	15	4500	0,8	KE42011N02PK11BHL
0,001	18	11	5	15	0,6	11,4	500	12	9500	0,8	KE42011N22PK10BHL
0,001	26	15,5	6	22,5	0,7	5,4	450	15	4500	0,8	KE42011N22PK11BHL
0,002	18	11	5	15	0,7	14,25	420	12	9500	0,8	KE42011N52PK10BHL
0,002	26	15,5	6	22,5	0,8	6,75	360	15	4500	0,8	KE42011N52PK11BHL
0,002	18	11	5	15	0,8	17,1	350	12	9500	0,8	KE42011N82PK10BHL
0,002	26	15,5	6	22,5	0,9	8,1	300	15	4500	0,8	KE42011N82PK11BHL
0,002	18	11	5	15	0,9	20,9	300	12	9500	0,8	KE42012N22PK10BHL
0,002	26	15,5	6	22,5	1	9,9	250	15	4500	0,8	KE42012N22PK11BHL
0,003	18	11	5	15	1	25,65	240	12	9500	0,8	KE42012N72PK10BHL
0,003	26	15,5	6	22,5	1,2	12,15	230	15	4500	0,8	KE42012N72PK11BHL
0,003	18	11	5	15	1,2	31,35	190	12	9500	0,8	KE42013N32PK11BHL
0,003	26	15,5	6	22,5	1,2	14,85	200	15	4500	0,8	KE42013N32PK12BHL
0,004	18	11	5	15	1,3	37,05	165	12	9500	0,8	KE42013N92PK10BHL
0,004	26	15,5	6	22,5	1,4	17,55	180	15	4500	0,8	KE42013N92PK11BHL
0,005	18	11	5	15	1,4	44,65	135	12	9500	0,8	KE42014N72PK10BHL
0,005	26	15,5	6	22,5	1,6	21,15	140	15	4500	0,8	KE42014N72PK11BHL

**RATED  
VOLTAGE  
2000VDC  
700VAC**

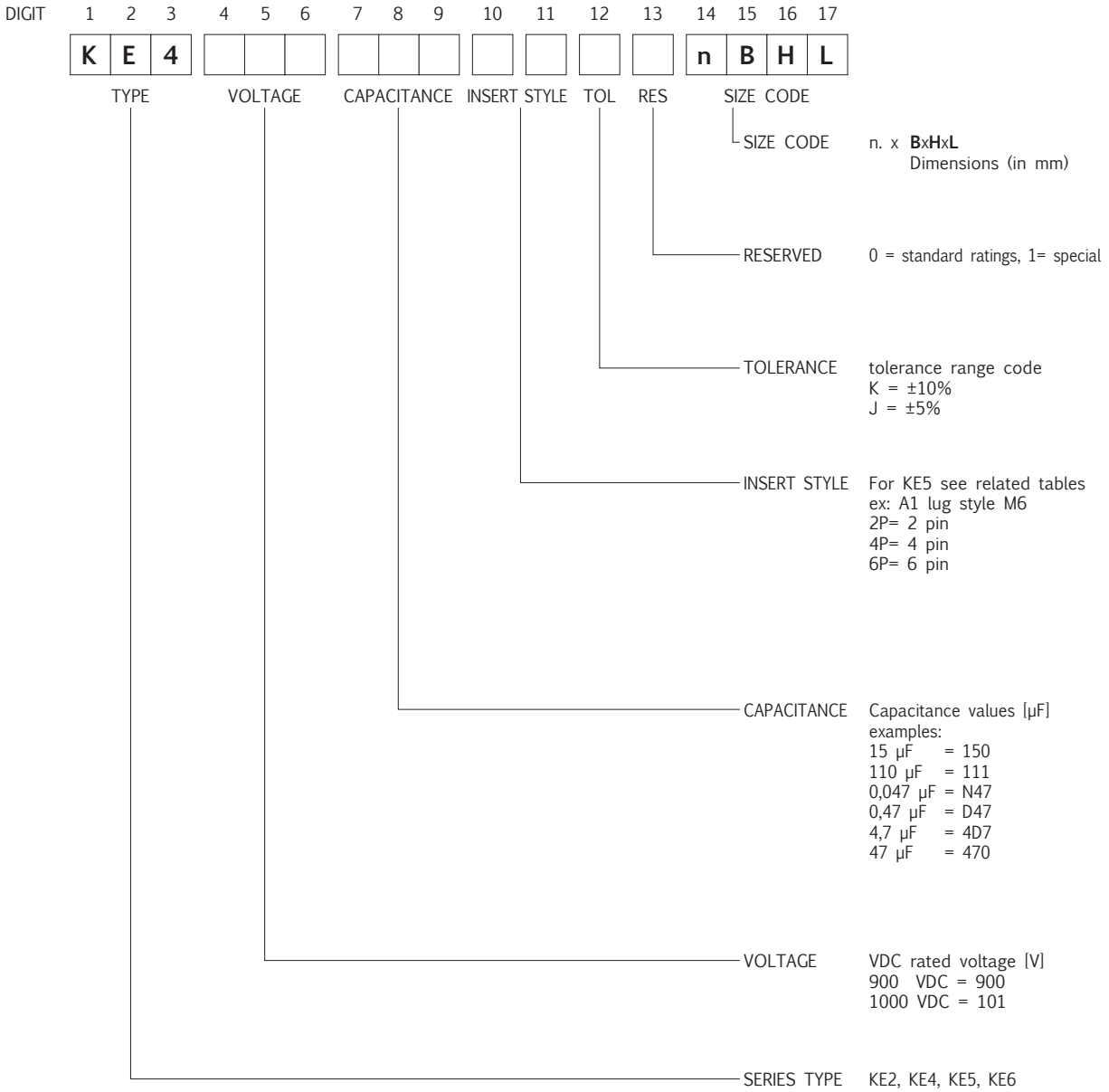
## KE4 TYPE STANDARD RATINGS

0,006	18	12	6	15	1,6	53,2	110	12	9500	0,8	KE42015N62PK10BHL
0,006	26	15,5	6	22,5	1,8	25,2	120	15	4500	0,8	KE42015N62PK11BHL
0,007	18	12	6	15	1,8	64,6	95	12	9500	0,8	KE42016N82PK10BHL
0,007	26	15,5	6	22,5	2	30,6	95	15	4500	0,8	KE42016N82PK11BHL
0,008	18	12	6	15	2	77,9	80	12	9500	0,8	KE42018N22PK10BHL
0,008	26	15,5	6	22,5	2,2	36,9	75	15	4500	0,8	KE42018N22PK11BHL
0,010	18	13,5	7,5	15	2,5	95	65	12	9500	0,8	KE420110N2PK10BHL
0,010	26	15,5	6	22,5	2,3	45	65	15	4500	0,8	KE420110N2PK11BHL
0,012	18	14,5	8,5	15	2,8	114	50	12	9500	0,8	KE420112N2PK10BHL
0,012	26	15,5	6	22,5	2,5	54	60	15	4500	0,8	KE420112N2PK11BHL
0,015	18	14,5	8,5	15	3	142,5	45	12	9500	0,8	KE420115N2PK10BHL
0,015	26	15,5	6	22,5	2,8	67,5	45	15	4500	0,8	KE420115N2PK11BHL
0,018	18	16	10	15	3,8	171	35	12	9500	0,8	KE420118N2PK10BHL
0,018	26	15,5	6	22,5	3,2	81	35	15	4500	0,8	KE420118N2PK11BHL
0,022	26	16,5	7	22,5	4	99	26	15	4500	0,8	KE420122N2PK10BHL
0,022	32	17	8	27,5	3	55	45	20	2500	0,8	KE420122N2PK11BHL
0,027	26	16,5	7	22,5	4,5	121,5	20	15	4500	0,8	KE420127N2PK10BHL
0,027	32	17	8	27,5	3,5	67,5	40	20	2500	0,8	KE420127N2PK11BHL
0,033	26	17	8,5	22,5	5,2	148,5	18	15	4500	0,8	KE420133N2PK10BHL
0,033	32	18	9	27,5	4	82,5	35	20	2500	0,8	KE420133N2PK11BHL
0,033	42	22	11	37,5	4	49,5	35	25	1500	1,0	KE420133N2PK12BHL
0,039	26	19	10	22,5	5,8	175,5	15	15	4500	0,8	KE420139N2PK10BHL
0,039	32	20	11	27,5	4,5	97,5	28	20	2500	0,8	KE420139N2PK11BHL
0,039	42	22	11	37,5	4,5	58,5	28	25	1500	1,0	KE420139N2PK12BHL
0,047	26	19	10	22,5	6	211,5	13	15	4500	0,8	KE420147N2PK10BHL
0,047	32	20	11	27,5	4,8	117,5	25	20	2500	0,8	KE420147N2PK11BHL
0,047	42	22	11	37,5	4,8	70,5	26	25	1500	1,0	KE420147N2PK12BHL
0,056	26	20	11	22,5	6,5	252	12	15	4500	0,8	KE420156N2PK10BHL
0,056	32	22	13	27,5	5	140	24	20	2500	0,8	KE420156N2PK11BHL
0,056	42	22	11	37,5	5	84	24	25	1500	1,0	KE420156N2PK12BHL
0,068	32	22	13	27,5	5,5	170	22	20	2500	0,8	KE420168N2PK10BHL
0,068	42	22	11	37,5	5,4	102	23	25	1500	1,0	KE420168N2PK11BHL
0,082	32	24,5	13	27,5	6	205	20	20	2500	0,8	KE420182N2PK10BHL
0,082	42	22	11	37,5	5,8	123	22	25	1500	1,0	KE420182N2PK11BHL
0,100	32	28	14	27,5	6,5	250	18	20	2500	0,8	KE4201D102PK10BHL
0,100	42	24	13	37,5	6,5	150	18	25	1500	1,0	KE4201D102PK11BHL
0,120	32	33	18	27,5	7	300	16	20	2500	0,8	KE4201D122PK10BHL
0,120	42	24	13	37,5	7	180	16	25	1500	1,0	KE4201D122PK11BHL
0,150	32	33	18	27,5	7,5	375	14	20	2500	0,8	KE4201D152PK10BHL
0,150	42	28,5	16	37,5	7,5	225	15	25	1500	1,0	KE4201D152PK11BHL
0,180	32	37	22	27,5	8	450	12	20	2500	1,0	KE4201D182PK10BHL
0,180	42	28,5	16	37,5	8	270	14	25	1500	1,0	KE4201D182PK11BHL
0,220	32	37	22	27,5	8,5	550	10	20	2500	1,0	KE4201D222PK10BHL
0,220	42	32	19	37,5	8,5	330	12	25	1500	1,0	KE4201D222PK11BHL
0,270	42	40	20	37,5	9	405	11	25	1500	1,0	KE4201D272PK10BHL
0,330	42	40	20	37,5	9,5	495	10,5	25	1500	1,0	KE4201D332PK10BHL
0,390	42	44	24	37,5	10	585	9,5	25	1500	1,0	KE4201D392PK10BHL
0,470	42	44	24	37,5	10,5	705	9	25	1500	1,0	KE4201D472PK10BHL
0,560	42	45	30	37,5	12	840	7,5	25	1500	1,0	KE4201D562PK10BHL
0,680	42	45	30	37,5	14	1020	6	25	1500	1,0	KE4201D682PK10BHL

**RATED  
VOLTAGE  
2000VDC  
700VAC**

# PART NUMBER SYSTEM FOR METALLIZED POLYPROPYLENE FILM CAPACITORS

New PART-NUMBER CODE in use since Sep 2010. Total length is 17 digits.  
Please see examples below and have a reference code from the standard ratings capacitors pages.



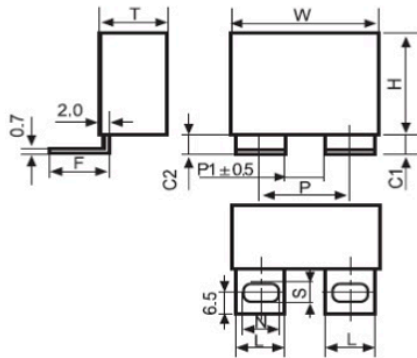
# KE5 TYPE -40 +105°C 100000H

## Overview

The KE5 capacitor is constructed of metallized polypropylene film with double-sided metallized film encapsulated with epoxy resin in a rectangular plastic case, with lug terminals.

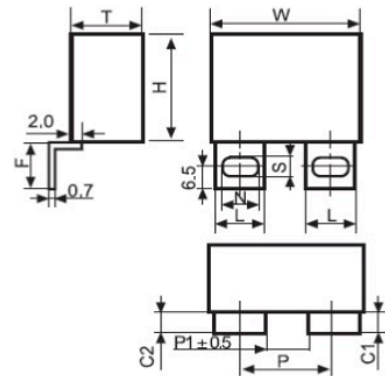
<b>Applications</b>	Widely used in high voltage, high frequency, high current, pulse circuit and IGBT protection.
<b>Reference standard</b>	IEC 61071
<b>Construction</b>	Metallized Polypropylene Film
<b>Coating</b>	Plastic Box
<b>Terminals</b>	Tinned Copper Lug Terminal
<b>Operating temperature range</b>	-40°C to +105°C (85°C ~105°C, decreasing factor 1.25% per °C for Rated Voltage)
<b>Capacitance</b>	0.1μF to 4.0μF
<b>Rated Voltage</b>	850 to 2000 VDC
<b>Tolerance</b>	±5% or ±10% at +25°C
<b>Dissipation Factor</b>	0.0010 (25° C, 1KHz)
<b>Life Expectancy</b>	100,000 hours (UR, $\Theta_{\text{hotspot}}=85^{\circ}\text{C}$ )
<b>Dielectric strength</b>	1.5 x VR VDC for 10 seconds @ +25°C ± 5°C
<b>Test Voltage terminal to case</b>	3000VAC, 50/60Hz 60s (at +25 ± 5°C)
<b>Insulation Resistance</b>	C ≤ 0.33 μF at 100 V; 1 min > 100 000 MΩ C > 0.33 μF at 100 V; 1 min > 30 000 MΩ*μF

**Style A**



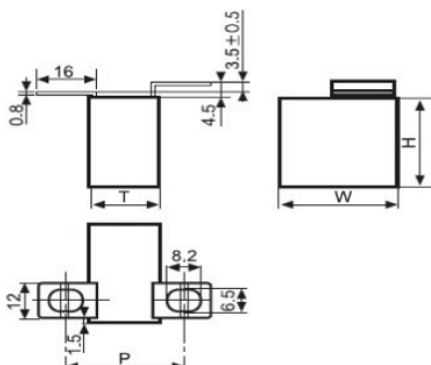
$$L \times F \times N \times S = 14.0 \times 16.0 \times 10.2 \times 6.2$$

**Style B**



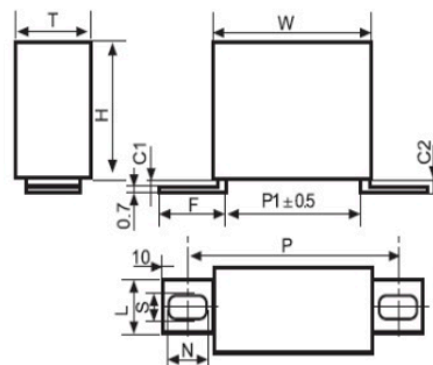
$$L \times F \times N \times S = 14.0 \times 16.0 \times 10.2 \times 6.2$$

**Style C**



$$L \times F \times N \times S = 12.0 \times 16.0 \times 8.2 \times 6.5$$

**Style D**



$$L \times F \times N \times S = 14.0 \times 22.0 \times 11.2 \times 6.2$$

## KE5 TYPE STANDARD RATINGS

**RATED  
VOLTAGE  
850VDC**

Cap Value μF	Dimensions (mm)			I <sub>rms</sub> 100KHz 70°C A	Peak Current A	ESR 100KHz mΩ	ESL nH	dv/dt V/us	PART NUMBER
	W	H	T						
0,47	42,5	40,0	20,0	14,0	357,0	9,4	40	760	KE5850D47A2K10BHL
0,5	42,5	40,0	20,0	14,0	357,0	9,4	40	760	KE5850D47B2K10BHL
0,68	42,5	40,0	20,0	17,0	517,0	6,6	40	760	KE5850D68A2K10BHL
0,68	42,5	40,0	20,0	17,0	517,0	6,6	40	760	KE5850D68B2K10BHL
1	42,5	40,0	20,0	20,0	760,0	4,6	40	760	KE58501D0A2K10BHL
1	42,5	40,0	20,0	20,0	760,0	4,6	40	760	KE58501D0B2K10BHL
1,5	42,5	37,0	28,0	27,0	1140,0	3,1	36	760	KE58501D5A2K10BHL
1,5	42,5	35,5	33,5	28,0	1140,0	3,0	36	760	KE58501D5A2K11BHL
1,5	42,5	37,0	28,0	27,0	1140,0	3,1	36	760	KE58501D5B2K10BHL
1,5	42,5	35,5	33,5	28,0	1140,0	3,0	36	760	KE58501D5B2K11BHL
2	42,5	45,0	30,0	34,0	1520,0	2,4	43	760	KE58502D0A2K10BHL
2	42,5	45,0	30,0	34,0	1520,0	2,4	43	760	KE58502D0B2K10BHL
2,2	42,5	45,0	30,0	35,0	1672,0	2,2	43	760	KE58502D2A2K10BHL
2,2	42,5	45,0	30,0	35,0	1672,0	2,2	43	760	KE58502D2B2K10BHL
2,5	57,5	45,0	30,0	37,0	1175,0	2,0	45	470	KE58502D5A2K10BHL
2,5	57,5	45,0	30,0	37,0	1175,0	2,0	45	470	KE58502D5B2K10BHL
3	57,5	45,0	30,0	30,0	1410,0	3,5	45	470	KE58503D0A2K10BHL
3	57,5	45,0	30,0	30,0	1410,0	3,5	45	470	KE58503D0B2K10BHL
3,3	57,5	45,0	30,0	31,0	1551,0	3,2	45	470	KE58503D3A2K10BHL
3,3	57,5	45,0	30,0	31,0	1551,0	3,2	45	470	KE58503D3B2K10BHL
4	57,5	50,0	35,0	34,0	1880,0	2,6	48	470	KE58504D0A2K10BHL
4	57,5	50,0	35,0	34,0	1880,0	2,6	48	470	KE58504D0B2K10BHL
5	57,5	50,0	35,0	40,0	2350,0	2,2	48	470	KE58505D0A2K10BHL
5	57,5	50,0	35,0	40,0	2350,0	2,2	48	470	KE58505D0B2K10BHL

## KE5 TYPE STANDARD RATINGS

**RATED  
VOLTAGE  
1000VDC**

Cap Value μF	Dimensions (mm)			I <sub>rms</sub> 100KHz 70°C A	Peak Current A	ESR 100KHz mΩ	ESL nH	dv/dt V/us	PART NUMBER
	W	H	T						
0,5	42,5	40,0	20,0	14,0	400,0	8,7	40	850	KE5101D47A2K10BHL
0,5	42,5	40,0	20,0	14,0	400,0	8,7	40	850	KE5101D47B2K10BHL
0,68	42,5	40,0	20,0	18,0	578,0	6,1	40	850	KE5101D68A2K10BHL
0,7	42,5	40,0	20,0	18,0	578,0	6,1	40	850	KE5101D68B2K10BHL
1	42,5	40,0	20,0	20,0	850,0	4,3	40	850	KE51011D0A2K10BHL
1	42,5	40,0	20,0	20,0	850,0	4,3	40	850	KE51011D0B2K10BHL
1,5	42,5	37,0	28,0	28,0	1275,0	2,9	36	850	KE51011D5A2K10BHL
1,5	42,5	35,5	33,5	29,0	1275,0	2,8	36	850	KE51011D5A2K11BHL
1,5	42,5	37,0	28,0	28,0	1275,0	2,9	36	850	KE51011D5B2K10BHL
1,5	42,5	35,5	33,5	29,0	1275,0	2,8	36	850	KE51011D5B2K11BHL
2	42,5	45,0	30,0	35,0	1700,0	2,3	43	850	KE51012D0A2K10BHL
2	42,5	45,0	30,0	35,0	1700,0	2,3	43	850	KE51012D0B2K10BHL
2,2	57,5	45,0	30,0	28,0	1166,0	4,4	45	530	KE51012D2A2K10BHL
2,2	57,5	45,0	30,0	28,0	1166,0	4,4	45	530	KE51012D2B2K10BHL
2,5	57,5	45,0	30,0	29,0	1325,0	3,8	45	530	KE51012D5A2K10BHL
2,5	57,5	45,0	30,0	29,0	1325,0	3,8	45	530	KE51012D5B2K10BHL
3	57,5	45,0	30,0	31,0	1590,0	3,2	45	530	KE51013D0A2K10BHL
3	57,5	45,0	30,0	31,0	1590,0	3,2	45	530	KE51013D0B2K10BHL
3,3	57,5	45,0	30,0	32,0	1749,0	3,0	45	530	KE51013D3A2K10BHL
3,3	57,5	45,0	30,0	32,0	1749,0	3,0	45	530	KE51013D3B2K10BHL
4	57,5	50,0	35,0	38,0	2120,0	2,5	48	530	KE51014D0A2K10BHL
4	57,5	50,0	35,0	38,0	2120,0	2,5	48	530	KE51014D0B2K10BHL

## KE5 TYPE STANDARD RATINGS

Cap Value μF	Dimensions (mm)			I <sub>rms</sub> 100KHz 70°C A	Peak Current A	ESR 100KHz mΩ	ESL nH	dv/dt V/us	PART NUMBER
	W	H	T						
0,3	42,5	40,0	20,0	13,0	330,0	10,9	40	1000	KE5121D33B2K10BHL
0,33	42,5	40,0	20,0	13,0	330,0	10,9	40	1000	KE5121D33A2K10BHL
0,5	42,5	40,0	20,0	16,0	470,0	7,7	40	1000	KE5121D47A2K10BHL
0,5	42,5	40,0	20,0	16,0	470,0	7,7	40	1000	KE5121D47B2K10BHL
0,68	42,5	40,0	20,0	19,0	680,0	5,4	40	1000	KE5121D68A2K10BHL
0,7	42,5	40,0	20,0	19,0	680,0	5,4	40	1000	KE5121D68B2K10BHL
1	42,5	37,0	28,0	25,0	1000,0	3,8	36	1000	KE51211D0A2K10BHL
1	42,5	37,0	28,0	25,0	1000,0	3,8	36	1000	KE51211D0B2K10BHL
1,2	42,5	37,0	28,0	27,0	1200,0	3,2	36	1000	KE51211D2A2K10BHL
1,2	42,5	35,5	33,5	28,0	1200,0	3,0	36	1000	KE51211D2A2K11BHL
1,2	42,5	37,0	28,0	27,0	1200,0	3,2	36	1000	KE51211D2B2K10BHL
1,2	42,5	35,5	33,5	28,0	1200,0	3,0	36	1000	KE51211D2B2K11BHL
1,5	42,5	45,0	30,0	32,0	1500,0	2,6	43	1000	KE51211D5A2K10BHL
1,5	42,5	45,0	30,0	32,0	1500,0	2,6	43	1000	KE51211D5B2K10BHL
2	57,5	45,0	30,0	27,0	1200,0	4,1	45	600	KE51212D0A2K10BHL
2	57,5	45,0	30,0	27,0	1200,0	4,1	45	600	KE51212D0B2K10BHL
2,2	57,5	45,0	30,0	28,0	1320,0	3,8	45	600	KE51212D2A2K10BHL
2,2	57,5	45,0	30,0	28,0	1320,0	3,8	45	600	KE51212D2B2K10BHL
2,5	57,5	45,0	30,0	30,0	1500,0	3,3	45	600	KE51212D5A2K10BHL
2,5	57,5	45,0	30,0	30,0	1500,0	3,3	45	600	KE51212D5B2K10BHL
3	57,5	50,0	35,0	35,0	1800,0	2,9	48	600	KE51213D0A2K10BHL
3	57,5	50,0	35,0	35,0	1800,0	2,9	48	600	KE51213D0B2K10BHL
3,3	57,5	50,0	35,0	38,0	1980,0	2,6	48	600	KE51213D3A2K10BHL
3,3	57,5	50,0	35,0	38,0	1980,0	2,6	48	600	KE51213D3B2K10BHL

**RATED  
VOLTAGE  
1200VDC**

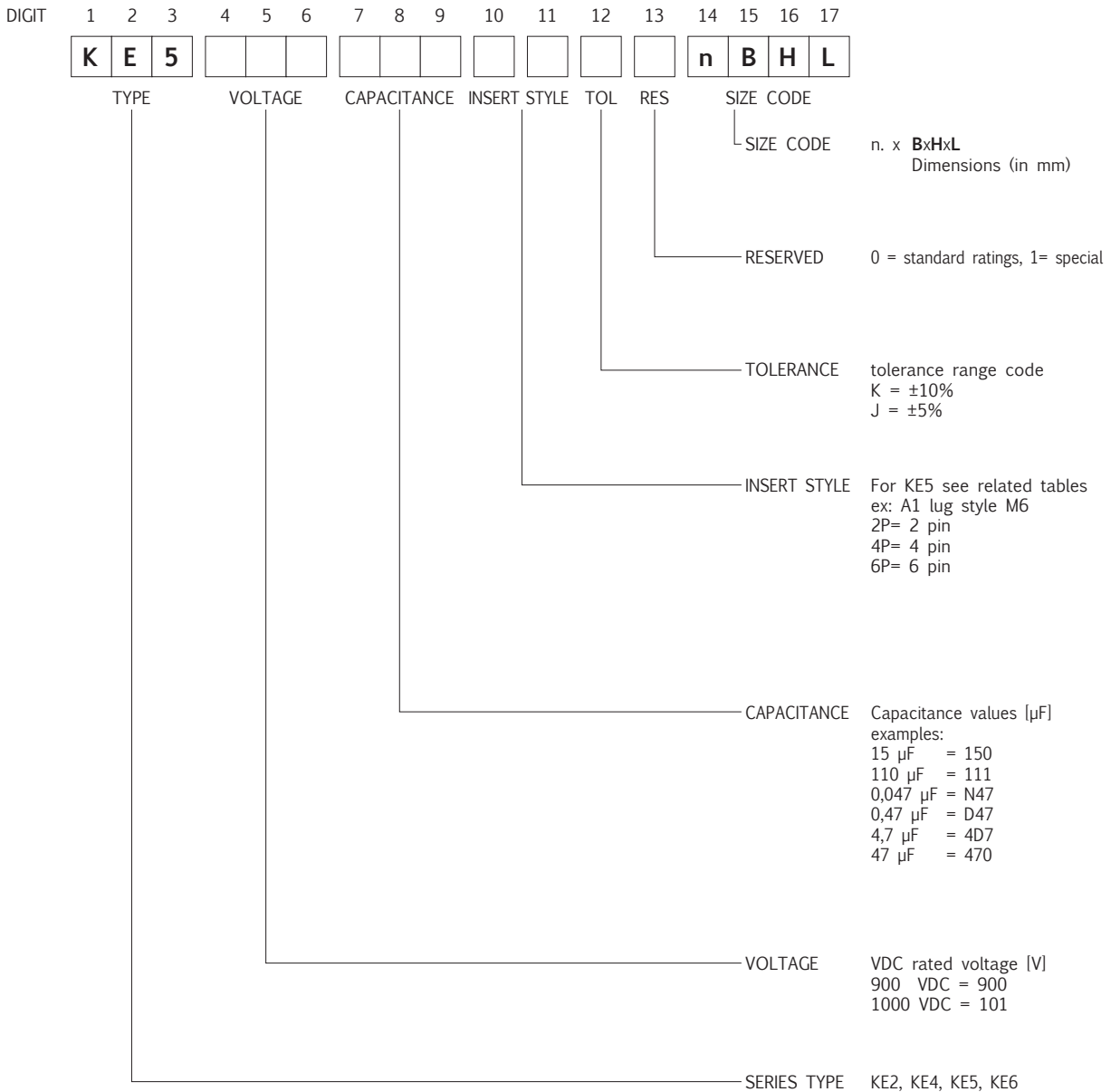
## KE5 TYPE STANDARD RATINGS

Cap Value μF	Dimensions (mm)			I <sub>rms</sub> 100KHz 70°C A	Peak Current A	ESR 100KHz mΩ	ESL nH	dv/dt V/us	PART NUMBER
	W	H	T						
0,1	42,5	40,0	20,0	8,0	140,0	26,8	40	1400	KE5201D10A2K10BHL
0,1	42,5	40,0	20,0	8,0	140,0	26,8	40	1400	KE5201D10B2K10BHL
0,2	42,5	40,0	20,0	10,0	210,0	17,9	40	1400	KE5201D15A2K10BHL
0,2	42,5	40,0	20,0	10,0	210,0	17,9	40	1400	KE5201D15B2K10BHL
0,2	42,5	40,0	20,0	12,0	308,0	12,3	40	1400	KE5201D22B2K10BHL
0,22	42,5	40,0	20,0	12,0	308,0	12,3	40	1400	KE5201D22A2K10BHL
0,3	42,5	40,0	20,0	16,0	462,0	8,3	40	1400	KE5201D33A2K10BHL
0,3	42,5	40,0	20,0	16,0	462,0	8,3	40	1400	KE5201D33B2K10BHL
0,47	42,5	40,0	20,0	19,0	658,0	5,9	40	1400	KE5201D47A2K10BHL
0,5	42,5	40,0	20,0	19,0	658,0	5,9	40	1400	KE5201D47B2K10BHL
0,68	42,5	35,5	33,5	25,0	952,0	4,0	43	1400	KE5201D68A2K10BHL
0,7	42,5	44,0	24,0	24,0	952,0	4,1	43	1400	KE5201D68A2K11BHL
0,7	42,5	44,0	24,0	24,0	952,0	4,1	43	1400	KE5201D68B2K10BHL
0,7	42,5	35,5	33,5	25,0	952,0	4,0	43	1400	KE5201D68B2K11BHL
0,8	42,5	45,0	30,0	28,0	1148,0	3,5	43	1400	KE5201D82A2K10BHL
0,8	42,5	45,0	30,0	28,0	1148,0	3,5	43	1400	KE5201D82B2K10BHL
1	57,5	45,0	30,0	23,0	900,0	5,9	45	900	KE52011D0A2K10BHL
1	57,5	45,0	30,0	23,0	900,0	5,9	45	900	KE52011D0B2K10BHL
1,2	57,5	45,0	30,0	25,0	1080,0	4,9	45	900	KE52011D2A2K10BHL
1,2	57,5	45,0	30,0	25,0	1080,0	4,9	45	900	KE52011D2B2K10BHL
1,5	57,5	50,0	35,0	30,0	1350,0	4,0	48	900	KE52011D5A2K10BHL
1,5	57,5	50,0	35,0	30,0	1350,0	4,0	48	900	KE52011D5B2K10BHL

**RATED  
VOLTAGE  
2000VDC**

## PART NUMBER SYSTEM FOR METALLIZED POLYPROPYLENE FILM CAPACITORS

New PART-NUMBER CODE in use since Sep 2010. Total length is 17 digits.  
Please see examples below and have a reference code from the standard ratings capacitors pages.

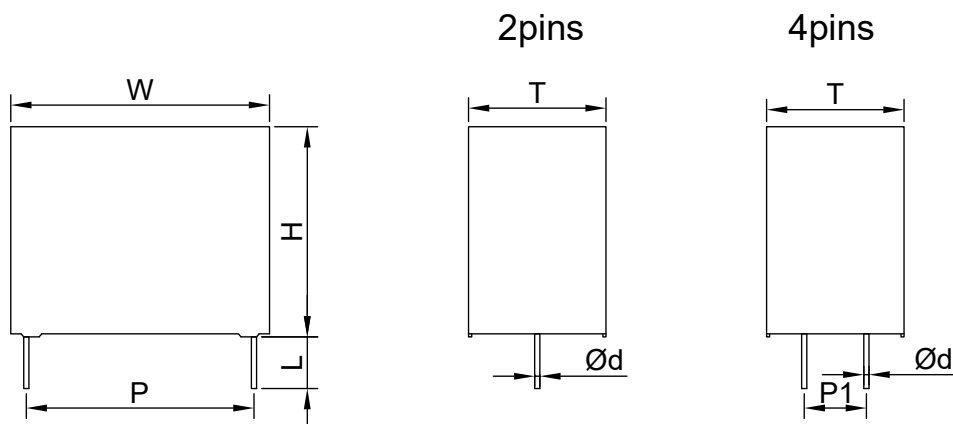


## KE6 TYPE -55 +125°C 100000H

### Overview

The KE6 series is constructed of metallized polypropylene film with double-sided metallized film encapsulated with epoxy resin in a plastic box, with 2 tinned copper wires. This KE6 series operating temperature range from -55°C to +125°C, suitable for harsh environmental condition and qualify in accordance to AEC-Q200 requirement.

<b>Applications</b>	Widely used in high voltage, high frequency and pulse circuit and IGBT protection.
<b>Reference standard</b>	IEC 61071, AECQ-200
<b>Construction</b>	Metallized Polypropylene Film
<b>Coating</b>	Plastic Box
<b>Terminals</b>	Tinned Copper Wire Terminal
<b>Operating temperature range</b>	-55°C to +125°C (105°C ~125°C, decreasing factor 1.25% per °C for Rated Voltage)
<b>Capacitance</b>	0.001μF to 4.7μF
<b>Rated Voltage</b>	630 to 3000 VDC
<b>Tolerance</b>	±5% or ±10% at +25°C
<b>Dissipation Factor</b>	0.0010 (25° C, 1KHz)
<b>Life Expectancy</b>	200,000 hours (VNDC, $\Theta_{\text{hotspot}} = 85^{\circ}\text{C}$ ) 100,000 hours (VOP105, $\Theta_{\text{hotspot}} = 105^{\circ}\text{C}$ ) 9,000 hours (VOP115, $\Theta_{\text{hotspot}} = 115^{\circ}\text{C}$ ) 5,000 hours (VOP125, $\Theta_{\text{hotspot}} = 125^{\circ}\text{C}$ )
<b>Operative Voltage Derating</b>	Symbol Voltage (VDC)
<b>Rated Voltage at 105°C (<math>T_{\text{HS}}</math>)</b>	$V_{\text{OP105}}$ 630 1000 1300 1600 2000
<b>Rated Voltage at 115°C (<math>T_{\text{HS}}</math>)</b>	$V_{\text{OP115}}$ 551 875 1138 1400 1750
<b>Rated Voltage at 125°C (<math>T_{\text{HS}}</math>)</b>	$V_{\text{OP125}}$ 473 750 975 1200 1500
<b>Dielectric strength</b>	1.5 x VR VDC for 10 seconds @ +25°C ± 5°C
<b>Test Voltage terminal to case</b>	3000VAC, 50/60Hz 60s (at +20 ± 2°C)
<b>Insulation Resistance</b>	$C \leq 0.33 \mu\text{F}$ at 100 V; 1 min > 100 000 MΩ $C > 0.33 \mu\text{F}$ at 100 V; 1 min > 30 000 s



## KE6 TYPE STANDARD RATINGS

**RATED  
VOLTAGE  
630VDC  
400VAC**

Cap Value μF	Dimensions (mm)				Irms Max 70°C A(100KHz)	Peak Current A	Surge Current A	ESR <sup>Typical</sup> 100KHz mΩ	ESL nH	Thermal Res °C/W	dv/dt V/us	Lead Wire mm	PART NUMBER
	W	H	T	P									
0,010	18	11	5	15	2,1	30	90	73,6	10	60,6	3.000	0,8	KE663010N2PK10BHL
0,012	18	11	5	15	2,3	36	108	61,4	10	60,6	3.000	0,8	KE663012N2PK10BHL
0,015	18	11	5	15	2,6	45	135	49,1	10	60,6	3.000	0,8	KE663015N2PK10BHL
0,018	18	11	5	15	2,8	54	162	40,9	10	60,6	3.000	0,8	KE663018N2PK10BHL
0,020	18	11	5	15	3,0	60	180	36,8	10	60,6	3.000	0,8	KE663020N2PK10BHL
0,022	18	11	5	15	3,1	66	198	33,5	10	60,6	3.000	0,8	KE663022N2PK10BHL
0,027	18	12	6	15	3,6	81	243	27,3	10	55,6	3.000	0,8	KE663027N2PK10BHL
0,033	18	12	6	15	4,0	99	297	22,3	10	55,6	3.000	0,8	KE663033N2PK10BHL
0,039	18	12	6	15	4,4	117	351	18,9	10	55,6	3.000	0,8	KE663039N2PK10BHL
0,047	18	13,5	7,5	15	5,0	141	423	15,7	10	51,3	3.000	0,8	KE663047N2PK10BHL
0,047	26	15,5	6	22,5	3,8	71	212	32,2	16	43,5	1.500	0,8	KE663047N2PK11BHL
0,056	18	13,5	7,5	15	5,4	168	504	13,1	10	51,3	3.000	0,8	KE663056N2PK10BHL
0,056	26	15,5	6	22,5	4,1	84	252	27,0	16	43,5	1.500	0,8	KE663056N2PK11BHL
0,068	18	14,5	8,5	15	5,6	204	612	13,0	10	48,8	3.000	0,8	KE663068N2PK10BHL
0,068	26	15,5	6	22,5	4,5	102	306	22,2	16	43,5	1.500	0,8	KE663068N2PK11BHL
0,082	18	16	10	15	6,5	246	738	10,8	10	44,4	3.000	0,8	KE663082N2PK10BHL
0,082	26	15,5	6	22,5	5,0	123	369	18,4	16	43,5	1.500	0,8	KE663082N2PK11BHL
0,100	18	16	10	15	7,1	300	900	8,8	10	44,4	3.000	0,8	KE6630D102PK10BHL
0,100	26	15,5	6	22,5	5,5	150	450	15,1	16	43,5	1.500	0,8	KE6630D102PK11BHL
0,120	18	19	11	15	8,2	360	1080	7,4	10	40,0	3.000	0,8	KE6630D122PK10BHL
0,120	26	16,5	7	22,5	6,2	180	540	12,6	16	41,7	1.500	0,8	KE6630D122PK11BHL
0,150	26	17	8,5	22,5	7,0	225	675	10,1	16	40,0	1.500	0,8	KE6630D152PK10BHL
0,150	32	17	8	27,5	5,4	135	405	19,6	18	35,7	900	0,8	KE6630D152PK11BHL
0,180	26	17	8,5	22,5	7,1	270	810	9,8	16	40,0	1.500	0,8	KE6630D182PK10BHL
0,180	32	17	8	27,5	5,9	162	486	16,3	18	35,7	900	0,8	KE6630D182PK11BHL
0,220	26	19	10	22,5	7,9	330	990	9,2	16	35,1	1.500	0,8	KE6630D222PK10BHL
0,220	32	18	9	27,5	6,5	198	594	11,4	18	41,7	900	0,8	KE6630D222PK11BHL
0,270	26	20	11	22,5	7,3	405	1215	11,2	16	33,9	1.500	0,8	KE6630D272PK10BHL
0,270	32	20	11	27,5	7,8	243	729	9,3	18	35,7	900	0,8	KE6630D272PK11BHL
0,330	26	20	11	22,5	8,0	495	1485	9,2	16	33,9	1.500	0,8	KE6630D332PK10BHL
0,330	32	20	11	27,5	8,6	297	891	7,6	18	35,7	900	0,8	KE6630D332PK11BHL
0,330	42	22	11	37,5	8,6	165	495	8,9	20	30,3	500	1,0	KE6630D332PK12BHL
0,390	26	22	12	22,5	8,9	585	1755	7,8	16	32,3	1.500	0,8	KE6630D392PK10BHL
0,390	32	20	11	27,5	9,3	351	1053	6,4	18	35,7	900	0,8	KE6630D392PK11BHL
0,470	32	22	13	27,5	9,8	423	1269	6,2	18	33,3	900	0,8	KE6630D472PK10BHL
0,470	42	22	11	37,5	10,3	235	705	6,2	20	30,3	500	1,0	KE6630D472PK11BHL
0,560	32	22	13	27,5	10,7	504	1512	5,2	18	33,3	900	0,8	KE6630D562PK10BHL
0,560	42	22	11	37,5	11,2	280	840	5,2	20	30,3	500	1,0	KE6630D562PK11BHL
0,680	32	24,5	13	27,5	11,4	612	1836	4,9	18	31,3	900	0,8	KE6630D682PK10BHL
0,680	42	22	11	37,5	10,7	340	1020	5,7	20	30,3	500	1,0	KE6630D682PK11BHL
0,820	32	28	14	27,5	12,5	738	2214	4,6	18	27,8	900	0,8	KE6630D822PK10BHL
0,820	42	28,5	16	37,5	11,8	410	1230	7,1	20	20,0	500	1,0	KE6630D822PK11BHL
1,000	32	33	18	27,5	13,5	900	2700	5,0	18	21,7	900	0,8	KE66301D02PK10BHL
1,000	42	28,5	16	37,5	12,1	500	1500	6,8	20	20,0	500	1,0	KE66301D02PK11BHL
1,200	32	33	18	27,5	12,8	1080	3240	5,6	18	21,7	900	0,8	KE66301D22PK10BHL
1,500	32	37	22	27,5	14,4	1350	4050	5,6	18	17,2	900	1,0	KE66301D52PK10BHL
1,500	42	28,5	16	37,5	13,1	750	2250	5,9	20	20,0	500	1,0	KE66301D52PK11BHL
1,800	32	37	22	27,5	14,7	1620	4860	5,4	18	17,2	900	1,0	KE66301D82PK10BHL
1,800	42	32	19	37,5	13,7	900	2700	6,0	20	17,9	500	1,0	KE66301D82PK11BHL
2,200	42	40	20	37,5	14,2	1100	3300	7,1	20	13,9	500	1,0	KE66302D22PK10BHL
2,700	42	40	20	37,5	14,9	1350	4050	6,5	20	13,9	500	1,0	KE66302D72PK10BHL
3,300	42	44	24	37,5	15,2	1650	4950	7,1	20	12,2	500	1,0	KE66303D32PK10BHL
3,900	42	45	30	37,5	15,8	1950	5850	8,0	20	10,0	500	1,0	KE66303D92PK10BHL
4,700	42	50	35	37,5	16,0	2350	7050	9,3	20	8,3	500	1,0	KE66304D72PK10BHL

## KE6 TYPE STANDARD RATINGS

**RATED  
VOLTAGE  
1000VDC  
600VAC**

Cap Value μF	Dimensions (mm)				Irms Max 70°C A(100KHz)	Peak Current A	Surge Current A	ESR <sup>Typical</sup> 100KHz mΩ	ESL nH	Thermal Res °C/W	dv/dt V/us	Lead Wire mm	PART NUMBER
	W	H	T	P									
0,008	18	11	5	15	2,0	29	86	79,8	10	60,6	3.500	0,8	KE61018N22PK10BHL
0,010	18	11	5	15	2,2	35	105	65,4	10	60,6	3.500	0,8	KE610110N2PK10BHL
0,012	18	11	5	15	2,5	42	126	54,5	10	60,6	3.500	0,8	KE610112N2PK10BHL
0,015	18	11	5	15	2,8	53	158	43,6	10	60,6	3.500	0,8	KE610115N2PK10BHL
0,018	18	11	5	15	3,0	63	189	36,4	10	60,6	3.500	0,8	KE610118N2PK10BHL
0,020	18	12	6	15	3,3	70	210	32,7	10	55,6	3.500	0,8	KE610120N2PK10BHL
0,022	18	12	6	15	3,5	77	231	29,7	10	55,6	3.500	0,8	KE610122N2PK10BHL
0,027	18	13,5	7,5	15	4,0	95	284	24,2	10	51,3	3.500	0,8	KE610127N2PK10BHL
0,027	26	15,5	6	22,5	3,5	57	170	37,3	16	43,5	2.100	0,8	KE610127N2PK11BHL
0,033	18	13,5	7,5	15	4,4	116	347	19,8	10	51,3	3.500	0,8	KE610133N2PK10BHL
0,033	26	15,5	6	22,5	4,3	69	208	25,5	16	43,5	2.100	0,8	KE610133N2PK11BHL
0,039	18	14,5	8,5	15	4,9	137	410	16,8	10	48,8	3.500	0,8	KE610139N2PK10BHL
0,039	26	15,5	6	22,5	4,6	82	246	21,6	16	43,5	2.100	0,8	KE610139N2PK11BHL
0,047	18	14,5	8,5	15	5,4	165	494	13,9	10	48,8	3.500	0,8	KE610147N2PK10BHL
0,047	26	16,5	7	22,5	5,2	99	296	17,9	16	41,7	2.100	0,8	KE610147N2PK11BHL
0,056	26	16,5	7	22,5	5,2	118	353	18,0	16	41,7	2.100	0,8	KE610156N2PK10BHL
0,068	26	17	8,5	22,5	5,4	143	428	17,3	16	40,0	2.100	0,8	KE610168N2PK10BHL
0,082	26	19	10	22,5	6,3	172	517	14,3	16	35,1	2.100	0,8	KE610182N2PK10BHL
0,100	26	19	10	22,5	7,0	210	630	11,8	16	35,1	2.100	0,8	KE6101D102PK10BHL
0,100	32	17	8	27,5	6,3	100	300	14,0	18	35,7	1.000	0,8	KE6101D102PK11BHL
0,120	26	20	11	22,5	7,8	252	756	9,8	16	33,9	2.100	0,8	KE6101D122PK10BHL
0,120	32	18	9	27,5	6,4	120	360	11,6	18	41,7	1.000	0,8	KE6101D122PK11BHL
0,150	26	22	12	22,5	8,9	315	945	7,8	16	32,3	2.100	0,8	KE6101D152PK10BHL
0,150	32	20	11	27,5	7,8	150	450	9,3	18	35,7	1.000	0,8	KE6101D152PK11BHL
0,180	32	22	13	27,5	8,0	180	540	9,3	18	33,3	1.000	0,8	KE6101D182PK10BHL
0,180	42	22	11	37,5	6,8	90	270	14,5	20	30,3	500	1,0	KE6101D182PK11BHL
0,220	32	22	13	27,5	8,2	220	660	8,9	18	33,3	1.000	0,8	KE6101D222PK10BHL
0,220	42	22	11	37,5	7,5	110	330	11,8	20	30,3	500	1,0	KE6101D222PK11BHL
0,270	32	24,5	13	27,5	9,4	270	810	7,2	18	31,3	1.000	0,8	KE6101D272PK10BHL
0,270	42	24	13	37,5	8,6	135	405	9,6	20	27,8	500	1,0	KE6101D272PK11BHL
0,330	32	28	14	27,5	9,7	330	990	7,6	18	27,8	1.000	0,8	KE6101D332PK10BHL
0,330	42	24	13	37,5	9,6	165	495	7,9	20	27,8	500	1,0	KE6101D332PK11BHL
0,390	32	33	18	27,5	10,8	390	1170	7,9	18	21,7	1.000	0,8	KE6101D392PK10BHL
0,390	42	28	17	37,5	10,0	195	585	10,0	20	20,0	500	1,0	KE6101D392PK11BHL
0,470	32	33	18	27,5	11,4	470	1410	7,1	18	21,7	1.000	0,8	KE6101D472PK10BHL
0,470	42	28	17	37,5	10,2	235	705	9,7	20	20,0	500	1,0	KE6101D472PK11BHL
0,560	32	37	22	27,5	12,9	560	1680	7,0	18	17,2	1.000	1,0	KE6101D562PK10BHL
0,560	42	28	17	37,5	11,1	280	840	8,1	20	20,0	500	1,0	KE6101D562PK11BHL
0,680	32	37	22	27,5	13,7	680	2040	6,2	18	17,2	1.000	1,0	KE6101D682PK10BHL
0,680	42	32	19	37,5	12,9	340	1020	6,7	20	17,9	500	1,0	KE6101D682PK11BHL
0,820	42	40	20	37,5	13,5	410	1230	7,9	20	13,9	500	1,0	KE6101D822PK10BHL
1,000	42	40	20	37,5	13,6	500	1500	7,8	20	13,9	500	1,0	KE61011D02PK10BHL
1,200	42	44	24	37,5	14,7	600	1800	7,6	20	12,2	500	1,0	KE61011D22PK10BHL
1,500	42	44	24	37,5	15,9	750	2250	6,5	20	12,2	500	1,0	KE61011D52PK10BHL
1,800	42	45	30	37,5	16,6	900	2700	7,2	20	10,0	500	1,0	KE61011D82PK10BHL
2,200	42	45	30	37,5	16,8	1100	3300	7,1	20	10,0	500	1,0	KE61012D22PK10BHL

## KE6 TYPE STANDARD RATINGS

**RATED  
VOLTAGE  
1300VDC  
620VAC**

Cap Value μF	Dimensions (mm)				I <sub>rms</sub> Max 70°C A(100KHz)	Peak Current A	Surge Current A	ESR <sup>Typical</sup> 100KHz mΩ	ESL nH	Thermal Res °C/W	dv/dt V/us	Lead Wire mm	PART NUMBER
	W	H	T	P									
0,008	18	11	5	15	2,1	29	86	73,6	10	60,6	3.500	0,8	KE61318N22PK10BHL
0,010	18	11	5	15	2,3	35	105	60,4	10	60,6	3.500	0,8	KE613110N2PK10BHL
0,012	18	11	5	15	2,6	42	126	50,3	10	60,6	3.500	0,8	KE613112N2PK10BHL
0,015	18	11	5	15	2,9	53	158	40,2	10	60,6	3.500	0,8	KE613115N2PK10BHL
0,018	18	12	6	15	3,3	63	189	33,5	10	55,6	3.500	0,8	KE613118N2PK10BHL
0,020	18	12	6	15	3,5	70	210	30,2	10	55,6	3.500	0,8	KE613120N2PK10BHL
0,022	18	13	7	15	3,7	77	231	27,4	10	52,6	3.500	0,8	KE613122N2PK10BHL
0,027	18	13,5	7,5	15	4,2	95	284	22,3	10	51,3	3.500	0,8	KE613127N2PK10BHL
0,027	26	15,5	6	22,5	3,5	57	170	36,9	16	43,5	2.100	0,8	KE613127N2PK11BHL
0,033	18	14,5	8,5	15	4,7	116	347	18,3	10	48,8	3.500	0,8	KE613133N2PK10BHL
0,033	26	15,5	6	22,5	4,3	69	208	25,2	16	43,5	2.100	0,8	KE613133N2PK11BHL
0,039	18	16	9	15	5,3	137	410	15,5	10	45,5	3.500	0,8	KE613139N2PK10BHL
0,039	26	15,5	6	22,5	4,6	82	246	21,3	16	43,5	2.100	0,8	KE613139N2PK11BHL
0,047	18	16	10	15	5,9	165	494	12,8	10	44,4	3.500	0,8	KE613147N2PK10BHL
0,047	26	16,5	7	22,5	5,2	99	296	17,7	16	41,7	2.100	0,8	KE613147N2PK11BHL
0,056	18	19	11	15	6,8	196	588	10,8	10	40,0	3.500	0,8	KE613156N2PK10BHL
0,056	26	16,5	7	22,5	5,2	118	353	17,8	16	41,7	2.100	0,8	KE613156N2PK11BHL
0,068	26	17	8,5	22,5	5,4	143	428	17,1	16	40,0	2.100	0,8	KE613168N2PK10BHL
0,082	26	19	10	22,5	6,3	172	517	14,2	16	35,1	2.100	0,8	KE613182N2PK10BHL
0,100	26	19	10	22,5	7,0	210	630	11,6	16	35,1	2.100	0,8	KE6131D102PK10BHL
0,100	32	17	8	27,5	6,4	100	300	13,6	18	35,7	1.000	0,8	KE6131D102PK11BHL
0,120	26	20	11	22,5	7,8	252	756	9,7	16	33,9	2.100	0,8	KE6131D122PK10BHL
0,120	32	18	9	27,5	6,5	120	360	11,3	18	41,7	1.000	0,8	KE6131D122PK11BHL
0,150	26	22	12	22,5	8,9	315	945	7,8	16	32,3	2.100	0,8	KE6131D152PK10BHL
0,150	32	20	11	27,5	7,9	150	450	9,1	18	35,7	1.000	0,8	KE6131D152PK11BHL
0,180	26	24,5	13	22,5	9,3	378	1134	7,4	16	31,3	2.100	0,8	KE6131D182PK10BHL
0,180	32	22	13	27,5	8,1	180	540	9,1	18	33,3	1.000	0,8	KE6131D182PK11BHL
0,180	42	22	11	37,5	6,9	90	270	13,8	20	30,3	500	1,0	KE6131D182PK12BHL
0,220	26	29,5	14,5	22,5	10,1	462	1386	6,8	16	28,6	2.100	0,8	KE6131D222PK10BHL
0,220	32	22	13	27,5	8,3	220	660	8,6	18	33,3	1.000	0,8	KE6131D222PK11BHL
0,220	42	22	11	37,5	7,6	110	330	11,3	20	30,3	500	1,0	KE6131D222PK12BHL
0,270	32	24	14	27,5	9,8	270	810	7,0	18	29,4	1.000	0,8	KE6131D272PK10BHL
0,270	42	24	13	37,5	8,8	135	405	9,2	20	27,8	500	1,0	KE6131D272PK11BHL
0,330	32	28	14	27,5	9,9	330	990	7,4	18	27,8	1.000	0,8	KE6131D332PK10BHL
0,330	42	24	13	37,5	9,8	165	495	7,5	20	27,8	500	1,0	KE6131D332PK11BHL
0,390	32	30	16	27,5	10,0	390	1170	7,7	18	26,3	1.000	0,8	KE6131D392PK10BHL
0,390	42	28	17	37,5	10,2	195	585	9,6	20	20,0	500	1,0	KE6131D392PK11BHL
0,470	32	33	18	27,5	11,5	470	1410	6,9	18	21,7	1.000	0,8	KE6131D472PK10BHL
0,470	42	28	17	37,5	10,4	235	705	9,3	20	20,0	500	1,0	KE6131D472PK11BHL
0,560	32	37	22	27,5	13,1	560	1680	6,8	18	17,2	1.000	1,0	KE6131D562PK10BHL
0,560	42	28	17	37,5	11,3	280	840	7,8	20	20,0	500	1,0	KE6131D562PK11BHL
0,680	32	37	22	27,5	13,9	680	2040	6,0	18	17,2	1.000	1,0	KE6131D682PK10BHL
0,680	42	32	19	37,5	13,2	340	1020	6,4	20	17,9	500	1,0	KE6131D682PK11BHL
0,820	42	40	20	37,5	13,8	410	1230	7,6	20	13,9	500	1,0	KE6131D822PK10BHL
1,000	42	40	20	37,5	13,9	500	1500	7,5	20	13,9	500	1,0	KE6131D02PK10BHL
1,200	42	44	24	37,5	14,1	600	1800	8,3	20	12,2	500	1,0	KE6131D22PK10BHL
1,500	42	43	28	37,5	15,1	750	2250	7,5	20	11,8	500	1,0	KE6131D52PK10BHL
1,800	42	45	30	37,5	15,5	900	2700	8,3	20	10,0	500	1,0	KE6131D82PK10BHL

## KE6 TYPE STANDARD RATINGS

**RATED  
VOLTAGE  
1600VDC  
650VAC**

Cap Value μF	Dimensions (mm)				I <sub>rms</sub> Max 70°C A(100KHz)	Peak Current A	Surge Current A	ESR <sup>Typical</sup> 100KHz mΩ	ESL nH	Thermal Res °C/W	dv/dt V/us	Lead Wire mm	PART NUMBER
	W	H	T	P									
0,003	18	11	5	15	1,5	20	59	148,8	10	60,6	6.000	0,8	KE61613N32PK10BHL
0,005	18	11	5	15	1,8	28	85	104,4	10	60,6	6.000	0,8	KE61614N72PK10BHL
0,006	18	11	5	15	1,9	34	101	87,6	10	60,6	6.000	0,8	KE61615N62PK10BHL
0,007	18	11	5	15	2,1	41	122	76,9	10	60,6	6.000	0,8	KE61616N82PK10BHL
0,008	18	11	5	15	2,3	49	148	63,8	10	60,6	6.000	0,8	KE61618N22PK10BHL
0,010	18	11	5	15	2,5	60	180	52,3	10	60,6	6.000	0,8	KE616110N2PK10BHL
0,012	18	12	6	15	2,9	72	216	43,6	10	55,6	6.000	0,8	KE616112N2PK10BHL
0,015	18	12	6	15	3,0	90	270	39,2	10	55,6	6.000	0,8	KE616115N2PK10BHL
0,015	26	15,5	6	22,5	2,9	45	135	54,1	16	43,5	3.000	0,8	KE616115N2PK11BHL
0,018	18	13,5	7,5	15	3,5	108	324	32,7	10	51,3	6.000	0,8	KE616118N2PK10BHL
0,022	18	13,5	7,5	15	3,8	132	396	26,7	10	51,3	6.000	0,8	KE616122N2PK10BHL
0,022	26	15,5	6	22,5	3,5	66	198	36,8	16	43,5	3.000	0,8	KE616122N2PK11BHL
0,027	18	14,5	8,5	15	4,3	162	486	21,8	10	48,8	6.000	0,8	KE616127N2PK10BHL
0,033	18	14,5	8,5	15	4,8	198	594	17,8	10	48,8	6.000	0,8	KE616133N2PK10BHL
0,033	26	15,5	6	22,5	4,3	99	297	24,6	16	43,5	3.000	0,8	KE616133N2PK11BHL
0,039	26	16,5	7	22,5	4,8	117	351	20,8	16	41,7	3.000	0,8	KE616139N2PK10BHL
0,039	32	17	8	27,5	4,4	78	234	28,3	18	35,7	2.000	0,8	KE616139N2PK11BHL
0,047	26	16,5	7	22,5	5,3	141	423	17,2	16	41,7	3.000	0,8	KE616147N2PK10BHL
0,047	32	17	8	27,5	4,9	94	282	23,5	18	35,7	2.000	0,8	KE616147N2PK11BHL
0,056	26	17	8,5	22,5	5,4	168	504	16,9	16	40,0	3.000	0,8	KE616156N2PK10BHL
0,056	32	17	8	27,5	5,3	112	336	19,7	18	35,7	2.000	0,8	KE616156N2PK11BHL
0,068	26	19	10	22,5	6,4	204	612	13,9	16	35,1	3.000	0,8	KE616168N2PK10BHL
0,068	32	18	9	27,5	5,4	136	408	16,2	18	41,7	2.000	0,8	KE616168N2PK11BHL
0,082	26	19	10	22,5	6,6	246	738	13,2	16	35,1	3.000	0,8	KE616182N2PK10BHL
0,082	32	20	11	27,5	6,4	164	492	13,5	18	35,7	2.000	0,8	KE616182N2PK11BHL
0,082	42	22	11	37,5	6,0	98	295	18,5	20	30,3	1.200	1,0	KE616182N2PK12BHL
0,100	26	20	11	22,5	7,4	300	900	10,8	16	33,9	3.000	0,8	KE6161D102PK10BHL
0,100	32	22	13	27,5	7,4	200	600	11,0	18	33,3	2.000	0,8	KE6161D102PK11BHL
0,100	42	22	11	37,5	6,6	120	360	15,2	20	30,3	1.200	1,0	KE6161D102PK12BHL
0,120	32	22	13	27,5	7,4	240	720	11,0	18	33,3	2.000	0,8	KE6161D122PK10BHL
0,120	42	22	11	37,5	7,2	144	432	12,6	20	30,3	1.200	1,0	KE6161D122PK11BHL
0,150	32	24,5	13	27,5	7,9	300	900	10,3	18	31,3	2.000	0,8	KE6161D152PK10BHL
0,150	42	22	11	37,5	7,0	180	540	13,5	20	30,3	1.200	1,0	KE6161D152PK11BHL
0,180	32	28	14	27,5	8,1	360	1080	11,0	18	27,8	2.000	0,8	KE6161D182PK10BHL
0,180	42	24	13	37,5	7,2	216	648	14,0	20	27,8	1.200	1,0	KE6161D182PK11BHL
0,220	32	33	18	27,5	9,1	440	1320	11,0	18	21,7	2.000	0,8	KE6161D222PK10BHL
0,220	42	24	13	37,5	7,9	264	792	11,5	20	27,8	1.200	1,0	KE6161D222PK11BHL
0,270	32	33	18	27,5	9,7	540	1620	9,8	18	21,7	2.000	0,8	KE6161D272PK10BHL
0,270	42	24	13	37,5	8,8	324	972	9,4	20	27,8	1.200	1,0	KE6161D272PK11BHL
0,330	32	33	18	27,5	9,9	660	1980	9,4	18	21,7	2.000	0,8	KE6161D332PK10BHL
0,330	42	28,5	16	37,5	10,4	396	1188	9,2	20	20,0	1.200	1,0	KE6161D332PK11BHL
0,390	32	37	22	27,5	10,7	780	2340	10,2	18	17,2	2.000	1,0	KE6161D392PK10BHL
0,390	42	28,5	16	37,5	10,5	468	1404	9,1	20	20,0	1.200	1,0	KE6161D392PK11BHL
0,470	32	37	22	27,5	11,7	940	2820	8,5	18	17,2	2.000	1,0	KE6161D472PK10BHL
0,470	42	32	19	37,5	11,4	564	1692	8,6	20	17,9	1.200	1,0	KE6161D472PK11BHL
0,560	42	40	20	37,5	12,6	672	2016	9,0	20	13,9	1.200	1,0	KE6161D562PK10BHL
0,680	42	40	20	37,5	12,7	816	2448	8,9	20	13,9	1.200	1,0	KE6161D682PK10BHL
0,820	42	44	24	37,5	13,8	984	2952	8,6	20	12,2	1.200	1,0	KE6161D822PK10BHL
1,000	42	44	24	37,5	14,2	1200	3600	8,1	20	12,2	1.200	1,0	KE6161D02PK10BHL
1,200	42	45	30	37,5	16,2	1440	4320	7,6	20	10,0	1.200	1,0	KE6161D22PK10BHL

## KE6 TYPE STANDARD RATINGS

**RATED  
VOLTAGE  
2000VDC  
700VAC**

Cap Value $\mu\text{F}$	Dimensions (mm)				Irms Max 70°C A(100KHz)	Peak Current A	Surge Current A	ESR <sup>Typical</sup> 100KHz m $\Omega$	ESL nH	Thermal Res $^{\circ}\text{C}/\text{W}$	dv/dt V/us	Lead Wire mm	PART NUMBER
	W	H	T	P									
0,001	18	11	5	15	0,7	10	29	654,1	10	60,6	9.500	0,8	KE62011N02PK10BHL
0,001	26	15,5	6	22,5	0,5	5	14	1622,1	16	43,5	4.500	0,8	KE62011N02PK11BHL
0,001	18	11	5	15	0,8	11	34	546,1	10	60,6	9.500	0,8	KE62011N22PK10BHL
0,001	26	15,5	6	22,5	0,6	5	16	1.354,4	16	43,5	4.500	0,8	KE62011N22PK11BHL
0,002	18	11	5	15	0,9	14	43	436,0	10	60,6	9.500	0,8	KE62011N52PK10BHL
0,002	26	15,5	6	22,5	0,7	7	20	1.081,4	16	43,5	4.500	0,8	KE62011N52PK11BHL
0,002	18	11	5	15	1,0	17	51	364,1	10	60,6	9.500	0,8	KE62011N82PK10BHL
0,002	26	15,5	6	22,5	0,9	8	24	603,9	16	43,5	4.500	0,8	KE62011N82PK11BHL
0,002	18	11	5	15	1,1	21	63	297,6	10	60,6	9.500	0,8	KE62012N22PK10BHL
0,002	26	15,5	6	22,5	1,0	10	30	492,1	16	43,5	4.500	0,8	KE62012N22PK11BHL
0,003	18	11	5	15	1,2	26	77	242,5	10	60,6	9.500	0,8	KE62012N72PK10BHL
0,003	26	15,5	6	22,5	1,2	12	36	334,1	16	43,5	4.500	0,8	KE62012N72PK11BHL
0,003	18	11	5	15	1,3	31	94	198,1	10	60,6	9.500	0,8	KE62013N32PK10BHL
0,003	26	15,5	6	22,5	1,3	15	45	272,9	16	43,5	4.500	0,8	KE62013N32PK11BHL
0,004	18	11	5	15	1,4	37	111	167,7	10	60,6	9.500	0,8	KE62013N92PK10BHL
0,004	26	15,5	6	22,5	1,5	18	53	208,2	16	43,5	4.500	0,8	KE62013N92PK11BHL
0,005	18	11	5	15	1,5	45	134	139,1	10	60,6	9.500	0,8	KE62014N72PK10BHL
0,005	26	15,5	6	22,5	1,6	21	63	172,6	16	43,5	4.500	0,8	KE62014N72PK11BHL
0,006	18	12	6	15	1,8	53	160	116,7	10	55,6	9.500	0,8	KE62015N62PK10BHL
0,006	26	15,5	6	22,5	1,8	25	76	144,7	16	43,5	4.500	0,8	KE62015N62PK11BHL
0,007	18	12	6	15	1,9	65	194	96,2	10	55,6	9.500	0,8	KE62016N82PK10BHL
0,007	26	15,5	6	22,5	2,0	31	92	119,2	16	43,5	4.500	0,8	KE62016N82PK11BHL
0,008	18	12	6	15	2,1	78	234	79,7	10	55,6	9.500	0,8	KE62018N22PK10BHL
0,008	26	15,5	6	22,5	2,2	37	111	98,9	16	43,5	4.500	0,8	KE62018N22PK11BHL
0,010	18	13,5	7,5	15	2,4	95	285	65,4	10	51,3	9.500	0,8	KE620110N2PK10BHL
0,010	26	15,5	6	22,5	2,4	45	135	81,1	16	43,5	4.500	0,8	KE620110N2PK11BHL
0,012	18	14,5	8,5	15	3,5	114	342	32,7	10	48,8	9.500	0,8	KE620112N2PK10BHL
0,012	26	15,5	6	22,5	2,6	54	162	67,5	16	43,5	4.500	0,8	KE620112N2PK11BHL
0,015	18	14,5	8,5	15	4,0	143	428	26,1	10	48,8	9.500	0,8	KE620115N2PK10BHL
0,015	26	15,5	6	22,5	2,9	68	203	54,0	16	43,5	4.500	0,8	KE620115N2PK11BHL
0,018	18	16	10	15	4,5	171	513	21,8	10	44,4	9.500	0,8	KE620118N2PK10BHL
0,018	26	15,5	6	22,5	3,2	81	243	45,0	16	43,5	4.500	0,8	KE620118N2PK11BHL
0,022	26	16,5	7	22,5	3,6	99	297	36,8	16	41,7	4.500	0,8	KE620122N2PK10BHL
0,022	32	17	8	27,5	3,7	55	165	40,2	18	35,7	2.500	0,8	KE620122N2PK11BHL
0,027	26	16,5	7	22,5	4,0	122	365	30,0	16	41,7	4.500	0,8	KE620127N2PK10BHL
0,027	32	17	8	27,5	4,1	68	203	32,7	18	35,7	2.500	0,8	KE620127N2PK11BHL
0,033	26	17	8,5	22,5	4,5	149	446	24,6	16	40,0	4.500	0,8	KE620133N2PK10BHL
0,033	32	18	9	27,5	4,2	83	248	26,8	18	41,7	2.500	0,8	KE620133N2PK11BHL
0,033	42	22	11	37,5	4,6	50	149	30,6	20	30,3	1.500	1,0	KE620133N2PK12BHL
0,039	26	19	10	22,5	5,2	176	527	20,8	16	35,1	4.500	0,8	KE620139N2PK10BHL
0,039	32	20	11	27,5	5,0	98	293	22,7	18	35,7	2.500	0,8	KE620139N2PK11BHL
0,039	42	22	11	37,5	5,0	59	176	25,9	20	30,3	1.500	1,0	KE620139N2PK12BHL
0,047	26	19	10	22,5	5,8	212	635	17,2	16	35,1	4.500	0,8	KE620147N2PK10BHL
0,047	32	20	11	27,5	5,5	118	353	18,8	18	35,7	2.500	0,8	KE620147N2PK11BHL
0,047	42	22	11	37,5	5,5	71	212	21,5	20	30,3	1.500	1,0	KE620147N2PK12BHL
0,056	26	20	11	22,5	6,1	252	756	16,1	16	33,9	4.500	0,8	KE620156N2PK10BHL
0,056	32	22	13	27,5	5,7	140	420	18,4	18	33,3	2.500	0,8	KE620156N2PK11BHL
0,056	42	22	11	37,5	6,0	84	252	18,1	20	30,3	1.500	1,0	KE620156N2PK12BHL
0,068	32	22	13	27,5	5,9	170	510	17,2	18	33,3	2.500	0,8	KE620168N2PK10BHL
0,068	42	22	11	37,5	6,7	102	306	14,9	20	30,3	1.500	1,0	KE620168N2PK11BHL
0,082	32	24,5	13	27,5	6,3	205	615	16,2	18	31,3	2.500	0,8	KE620182N2PK10BHL
0,082	42	22	11	37,5	7,3	123	369	12,3	20	30,3	1.500	1,0	KE620182N2PK11BHL

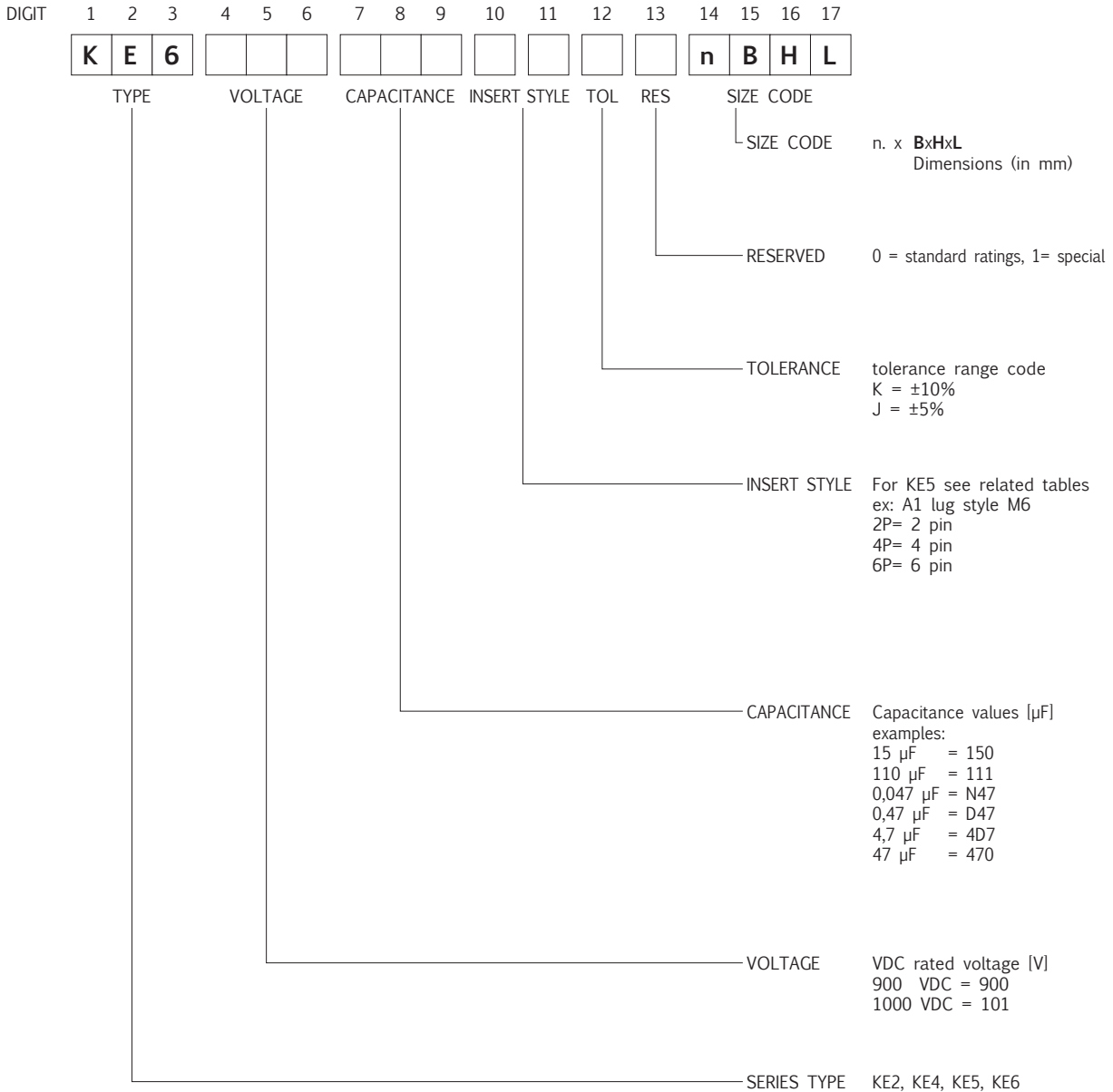
## KE6 TYPE STANDARD RATINGS

0,100	32	28	14	27,5	7,4	250	750	13,3	18	27,8	2.500	0,8	KE6201D102PK10BHL
0,100	42	24	13	37,5	7,3	150	450	13,5	20	27,8	1.500	1,0	KE6201D102PK11BHL
0,120	32	33	18	27,5	7,9	300	900	14,7	18	21,7	2.500	0,8	KE6201D122PK10BHL
0,120	42	24	13	37,5	7,2	180	540	14,0	20	27,8	1.500	1,0	KE6201D122PK11BHL
0,150	32	33	18	27,5	8,2	375	1125	13,7	18	21,7	2.500	0,8	KE6201D152PK10BHL
0,150	42	28,5	16	37,5	8,0	225	675	15,7	20	20,0	1.500	1,0	KE6201D152PK11BHL
0,180	32	37	22	27,5	8,9	450	1350	14,7	18	17,2	2.500	1,0	KE6201D182PK10BHL
0,180	42	28,5	16	37,5	8,2	270	810	15,0	20	20,0	1.500	1,0	KE6201D182PK11BHL
0,220	32	37	22	27,5	9,3	550	1650	13,4	18	17,2	2.500	1,0	KE6201D222PK10BHL
0,220	42	32	19	37,5	9,0	330	990	13,8	20	17,9	1.500	1,0	KE6201D222PK11BHL
0,270	42	40	20	37,5	10,7	405	1215	12,5	20	13,9	1.500	1,0	KE6201D272PK10BHL
0,330	42	40	20	37,5	10,8	495	1485	12,3	20	13,9	1.500	1,0	KE6201D332PK10BHL
0,390	42	44	24	37,5	12,6	585	1755	10,4	20	12,2	1.500	1,0	KE6201D392PK10BHL
0,470	42	44	24	37,5	13,8	705	2115	8,6	20	12,2	1.500	1,0	KE6201D472PK10BHL
0,560	42	45	30	37,5	14,4	840	2520	9,6	20	10,0	1.500	1,0	KE6201D562PK10BHL
0,680	42	45	30	37,5	14,9	1020	3060	9,9	20	9,1	1.500	1,0	KE6201D682PK10BHL

**RATED  
VOLTAGE  
2000VDC  
700VAC**

## PART NUMBER SYSTEM FOR METALLIZED POLYPROPYLENE FILM CAPACITORS

New PART-NUMBER CODE in use since Sep 2010. Total length is 17 digits.  
Please see examples below and have a reference code from the standard ratings capacitors pages.



## KE8 TYPE -40 +85°C 100000H

### Overview

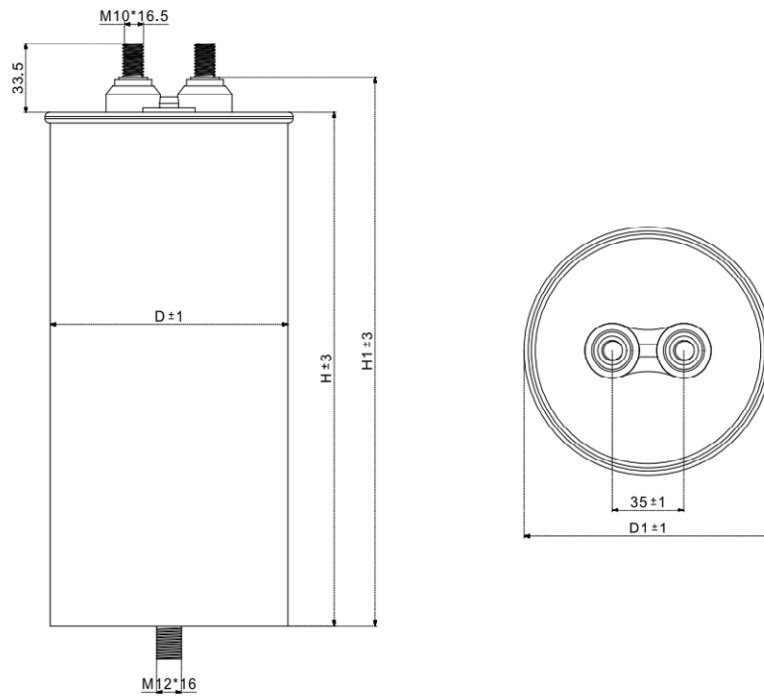
The KE8 series capacitors are designed for PFC system and AC harmonic filtering, consist of metallized polypropylene film, enclosed in cylindrical Al can filled with soft resin, screw terminals or fast-on terminals.

<b>Applications</b>	Widely used in AC Filtering and LCL System
<b>Reference standard</b>	IEC 61071
<b>Construction</b>	Metallized Polypropylene Film
<b>Coating</b>	Cylinder Aluminium Case
<b>Terminals</b>	Tinned Brass Terminals (Lead Free) or Tinned Steel
<b>Operating temperature range</b>	-40 to +85°C
<b>Capacitance</b>	10µF to 600µF
<b>Rated Voltage</b>	250 to 850 VAC
<b>Tolerance</b>	±5% or ±10% at +25°C
<b>Dissipation Factor</b>	≤0.0020 at 100Hz
<b>Life Expectancy</b>	≥100,000 hours at rated voltage and 70°C
<b>Dielectric strength</b>	2.15 x RMS Voltage for 10 seconds
<b>Test Voltage terminal to case</b>	4000VAC 50/60Hz 10 seconds
<b>Insulation Resistance</b>	IR x C ≥5,000s at 100VDC 1minute at +25°C

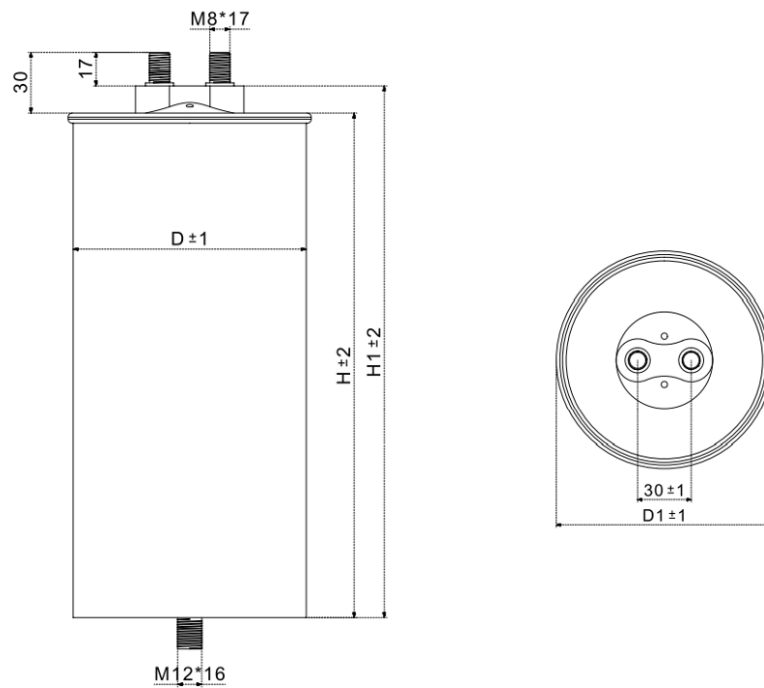
### DISK DIMENSIONS

D (mm)	50, 55, 60, 63.5	76, 86, 96, 106	116
P (mm)	20.0	30.0	35.0

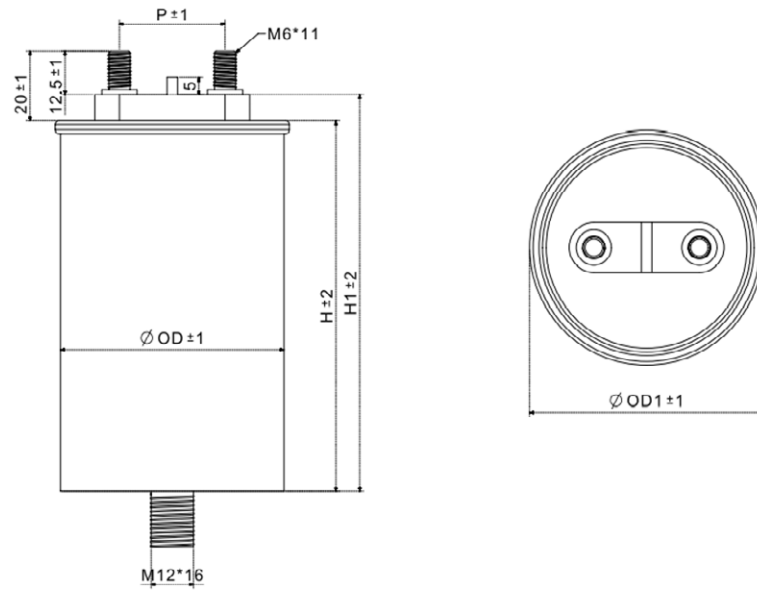
Diameter: 116mm



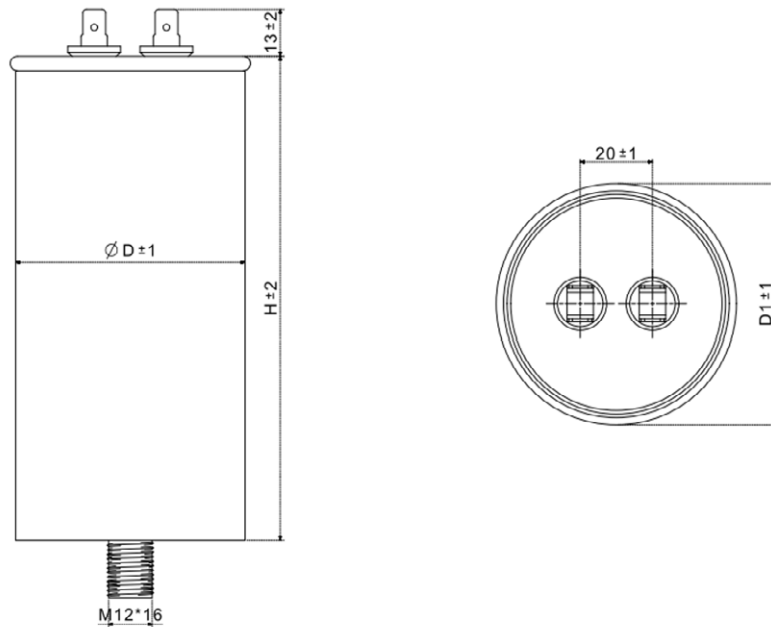
Diameter: 76mm, 86mm, 96mm, 106mm, 116mm, 136mm



Diameter: 60mm, 63.5mm



Diameter: 40mm, 45mm, 50mm, 55mm, 60mm, 63.5mm



## KE8 TYPE STANDARD RATINGS

**RATED  
VOLTAGE  
250VAC**

Cap Value μF	OD±1		H±2		I <sub>rms</sub> Max 50°C A	Peak Current A	ESR <sup>Typical</sup> 1KHz mΩ	ESL nH	Thermal Res °C/W	dv/dt V/us	PART NUMBER
	mm	inch	mm	inch							
60	50,0	(1,97)	100,0	(3,94)	16,0	1002	3,9	175	7,8	16,7	KE82506001GK1F100
80	50,0	(1,97)	100,0	(3,94)	16,0	1336	4,4	175	7,8	16,7	KE82508001GK1F100
100	50,0	(1,97)	125,0	(4,92)	16,0	1260	4,8	175	6,3	12,6	KE82501011GK1F125
120	55,0	(2,17)	125,0	(4,92)	16,0	1512	4,6	175	6,0	12,6	KE82501211GK1G125
150	60,0	(2,36)	125,0	(4,92)	16,0	1890	4,3	175	5,3	12,6	KE82501511GK1H125
150	76,0	(2,99)	125,0	(4,92)	22,0	1620	3,3	190	4,7	10,8	KE82501512CK1K125
200	76,0	(2,99)	125,0	(4,92)	30,0	2340	3,0	200	4,7	11,7	KE82502012CK1K125
250	76,0	(2,99)	150,0	(5,91)	30,0	2150	3,4	190	4,3	8,6	KE82502512CK1K150
300	86,0	(3,39)	150,0	(5,91)	36,0	2580	3,2	190	4,3	8,6	KE82503012CK1Q150
350	76,0	(2,99)	200,0	(7,87)	35,0	3640	3,1	200	4,0	10,4	KE82503512CK1K200
400	86,0	(3,39)	200,0	(7,87)	40,0	4160	3,0	200	4,0	10,4	KE82504012CK1Q200
500	86,0	(3,39)	200,0	(7,87)	50,0	5400	3,3	220	2,9	10,8	KE82505012CK1Q200
600	86,0	(3,39)	250,0	(9,84)	50,0	4800	3,1	200	2,5	8,0	KE82506012CK1Q250

Cap Value μF	OD±1		H±2		I <sub>rms</sub> Max 50°C A	Peak Current A	ESR <sup>Typical</sup> 1KHz mΩ	ESL nH	Thermal Res °C/W	dv/dt V/us	PART NUMBER
	mm	inch	mm	inch							
50	50,0	(1,97)	100,0	(3,94)	16,0	835	5,1	175	7,8	16,7	KE83305001GK1F100
60	50,0	(1,97)	125,0	(4,92)	16,0	756	5,4	175	6,3	12,6	KE83306001GK1F125
100	60,0	(2,36)	125,0	(4,92)	16,0	1260	4,1	175	5,3	12,6	KE83301011GK1H125
100	76,0	(2,99)	125,0	(4,92)	30,0	1310	3,8	190	5,2	13,1	KE83301012CK1K125
120	63,5	(2,50)	125,0	(4,92)	16,0	864	3,8	175	5,5	7,2	KE83301211GK1H125
150	76,0	(2,99)	150,0	(5,91)	40,0	1350	3,0	190	4,3	9,0	KE83301512CK1K150
200	86,0	(3,39)	150,0	(5,91)	40,0	2620	3,1	200	4,0	13,1	KE83302012CK1Q150
250	76,0	(2,99)	200,0	(7,87)	40,0	2150	3,9	190	4,0	8,6	KE83302512CK1K200
300	86,0	(3,39)	200,0	(7,87)	50,0	3930	3,6	200	2,9	13,1	KE83303012CK1Q200
350	86,0	(3,39)	200,0	(7,87)	50,0	4585	3,4	200	2,9	13,1	KE83303512CK1Q200
400	86,0	(3,39)	250,0	(9,84)	50,0	3240	3,6	200	2,5	8,1	KE83304012CK1Q250

**RATED  
VOLTAGE  
330VAC**

## KE8 TYPE STANDARD RATINGS

**RATED  
VOLTAGE  
450VAC**

Cap Value $\mu\text{F}$	OD $\pm 1$		H $\pm 2$		I <sub>rms</sub> Max 50°C A	Peak Current A	ESR <sup>Typical</sup> 1KHz m $\Omega$	ESL nH	Thermal Res $^{\circ}\text{C}/\text{W}$	dv/dt V/us	PART NUMBER
	mm	inch	mm	inch							
20	50,0	(1,97)	75,0	(2,95)	16,0	700	5,2	175	10,5	35,0	KE84502001GK1F075
30	50,0	(1,97)	100,0	(3,94)	16,0	699	6,9	175	7,8	23,3	KE84503001GK1F100
40	50,0	(1,97)	100,0	(3,94)	16,0	540	5,7	175	7,8	13,5	KE84504001GK1F100
50	50,0	(1,97)	125,0	(4,92)	16,0	540	5,0	175	5,3	10,8	KE84505001GK1F125
50	76,0	(2,99)	100,0	(3,94)	20,0	855	3,3	190	5,3	17,1	KE84505002CK1K100
70	60,0	(2,36)	125,0	(4,92)	16,0	910	4,8	175	5,5	13,0	KE84507001GK1H125
80	60,0	(2,36)	125,0	(4,92)	16,0	904	4,4	175	5,5	11,3	KE84508001GK1H125
100	76,0	(2,99)	150,0	(5,91)	35,0	1080	4,7	190	4,3	10,8	KE84501012CK1K150
150	86,0	(3,39)	150,0	(5,91)	40,0	1965	3,9	200	4,3	13,1	KE84501512CK1Q150
200	86,0	(3,39)	200,0	(7,87)	40,0	2700	3,7	220	2,9	13,5	KE84502012CK1Q200
250	86,0	(3,39)	200,0	(7,87)	50,0	2025	3,8	200	2,9	8,1	KE84502512CK1Q200
300	86,0	(3,39)	250,0	(9,84)	50,0	2400	4,1	220	2,5	8,0	KE84503012CK1Q250

Cap Value $\mu\text{F}$	OD $\pm 1$		H $\pm 2$		I <sub>rms</sub> Max 50°C A	Peak Current A	ESR <sup>Typical</sup> 1KHz m $\Omega$	ESL nH	Thermal Res $^{\circ}\text{C}/\text{W}$	dv/dt V/us	PART NUMBER
	mm	inch	mm	inch							
20	50,0	(1,97)	75,0	(2,95)	16,0	750	4,8	175	10,5	37,5	KE84802001GK1F075
25	50,0	(1,97)	100,0	(3,94)	16,0	750	4,2	175	7,8	30,0	KE84802501GK1F100
30	50,0	(1,97)	100,0	(3,94)	16,0	750	3,9	175	7,8	25,0	KE84803001GK1F100
40	60,0	(2,36)	100,0	(3,94)	12,0	852	5,2	175	7,3	21,3	KE84804001GK1H100
50	55,0	(2,17)	125,0	(4,92)	14,0	850	4,6	175	6,0	17,0	KE84805001GK1G125
60	76,0	(2,99)	125,0	(4,92)	18,0	1056	3,7	190	4,7	17,6	KE84806002CK1K125
70	76,0	(2,99)	125,0	(4,92)	20,0	1050	3,4	190	4,7	15,0	KE84807002CK1K125
80	76,0	(2,99)	150,0	(5,91)	30,0	1224	4,2	190	4,3	15,3	KE84808002CK1K150
100	76,0	(2,99)	200,0	(7,87)	50,0	1710	4,1	190	4,0	17,1	KE84801012CK1K200
150	76,0	(2,99)	200,0	(7,87)	40,0	2565	3,5	200	4,0	17,1	KE84801512CK1K200
200	76,0	(2,99)	250,0	(9,84)	40,0	2620	4,6	200	3,0	13,1	KE84802012CK1K250
250	86,0	(3,39)	250,0	(9,84)	50,0	2925	4,2	200	2,5	11,7	KE84802512CK1Q250

**RATED  
VOLTAGE  
480VAC**

## KE8 TYPE STANDARD RATINGS

**RATED  
VOLTAGE  
550VAC**

Cap Value μF	OD±1		H±2		I <sub>rms</sub> Max 50°C A	Peak Current A	ESR <sup>Typical</sup> 1KHz mΩ	ESL nH	Thermal Res °C/W	dv/dt V/us	PART NUMBER
	mm	inch	mm	inch							
20	50,0	(1,97)	100,0	(3,94)	16,0	600	6,9	175	7,9	30,0	KE85502001GK1F100
30	50,0	(1,97)	125,0	(4,92)	16,0	750	6,6	175	6,3	25,0	KE85503001GK1F125
40	60,0	(2,36)	125,0	(4,92)	16,0	752	7,1	175	5,5	18,8	KE85504001GK1H125
50	63,5	(2,50)	125,0	(4,92)	16,0	850	6,1	175	5,3	17,0	KE85505001GK1I125
70	76,0	(2,99)	150,0	(5,91)	25,0	903	4,6	175	4,2	12,9	KE85507002CK1K150
80	76,0	(2,99)	150,0	(5,91)	25,0	1800	4,3	190	4,3	22,5	KE85508002CK1K150
100	86,0	(3,39)	150,0	(5,91)	30,0	2820	3,9	200	4,0	28,2	KE85501012CK1Q150
125	86,0	(3,39)	200,0	(7,87)	30,0	2825	3,6	200	2,9	22,6	KE85501212CK1Q200
150	86,0	(3,39)	200,0	(7,87)	40,0	3210	5,0	200	2,9	21,4	KE85501512CK1Q200
200	86,0	(3,39)	250,0	(9,84)	50,0	3220	4,4	200	2,5	16,1	KE85502012CK1Q250
250	96,0	(3,78)	250,0	(9,84)	50,0	3500	4,0	240	2,1	14,0	KE85502512CK1R250
300	106,0	(4,17)	250,0	(9,84)	50,0	3510	3,7	240	2,0	11,7	KE85503012CK1S250

**RATED  
VOLTAGE  
600VAC**

Cap Value μF	OD±1		H±2		I <sub>rms</sub> Max 50°C A	Peak Current A	ESR <sup>Typical</sup> 1KHz mΩ	ESL nH	Thermal Res °C/W	dv/dt V/us	PART NUMBER
	mm	inch	mm	inch							
10	50,0	(1,97)	75,0	(2,95)	16,0	350	6,4	160	10,5	35,0	KE86001001GK1F075
20	50,0	(1,97)	125,0	(4,92)	16,0	500	11,1	160	6,3	25,0	KE86002001GK1F125
25	50,0	(1,97)	125,0	(4,92)	16,0	600	6,1	175	6,3	24,0	KE86002501GK1F125
30	60,0	(2,36)	125,0	(4,92)	16,0	600	5,4	175	5,3	20,0	KE86003001GK1H125
35	60,0	(2,36)	125,0	(4,92)	16,0	700	7,3	175	5,3	20,0	KE86003501GK1H125
40	63,5	(2,50)	125,0	(4,92)	16,0	700	6,6	175	5,3	17,5	KE86004001GK1I125
45	65,0	(2,56)	125,0	(4,92)	16,0	702	6,1	175	5,3	15,6	KE86004501GK1J125
50	76,0	(2,99)	150,0	(5,91)	20,0	850	5,7	175	4,3	17,0	KE86005002CK1K150

**RATED  
VOLTAGE  
660VAC**

Cap Value μF	OD±1		H±2		I <sub>rms</sub> Max 50°C A	Peak Current A	ESR <sup>Typical</sup> 1KHz mΩ	ESL nH	Thermal Res °C/W	dv/dt V/us	PART NUMBER
	mm	inch	mm	inch							
10	50,0	(1,97)	125,0	(4,92)	16,0	550	5,2	160	10,5	55,0	KE86601001GK1F125
15	60,0	(2,36)	125,0	(4,92)	16,0	420	6,2	160	6,3	28,0	KE86601501GK1H125
20	55,0	(2,17)	125,0	(4,92)	16,0	550	8,3	175	6,3	27,5	KE86602001GK1G125
25	60,0	(2,36)	125,0	(4,92)	16,0	550	7,9	175	5,3	22,0	KE86602501GK1H125
30	63,5	(2,50)	125,0	(4,92)	16,0	750	6,3	175	5,5	25,0	KE86603001GK1I125
40	76,0	(2,99)	150,0	(5,91)	30,0	900	5,2	175	4,6	22,5	KE86604002CK1K150
50	86,0	(3,39)	150,0	(5,91)	40,0	1000	4,7	175	4,0	20,0	KE86605002CK1Q150

## KE8 TYPE STANDARD RATINGS

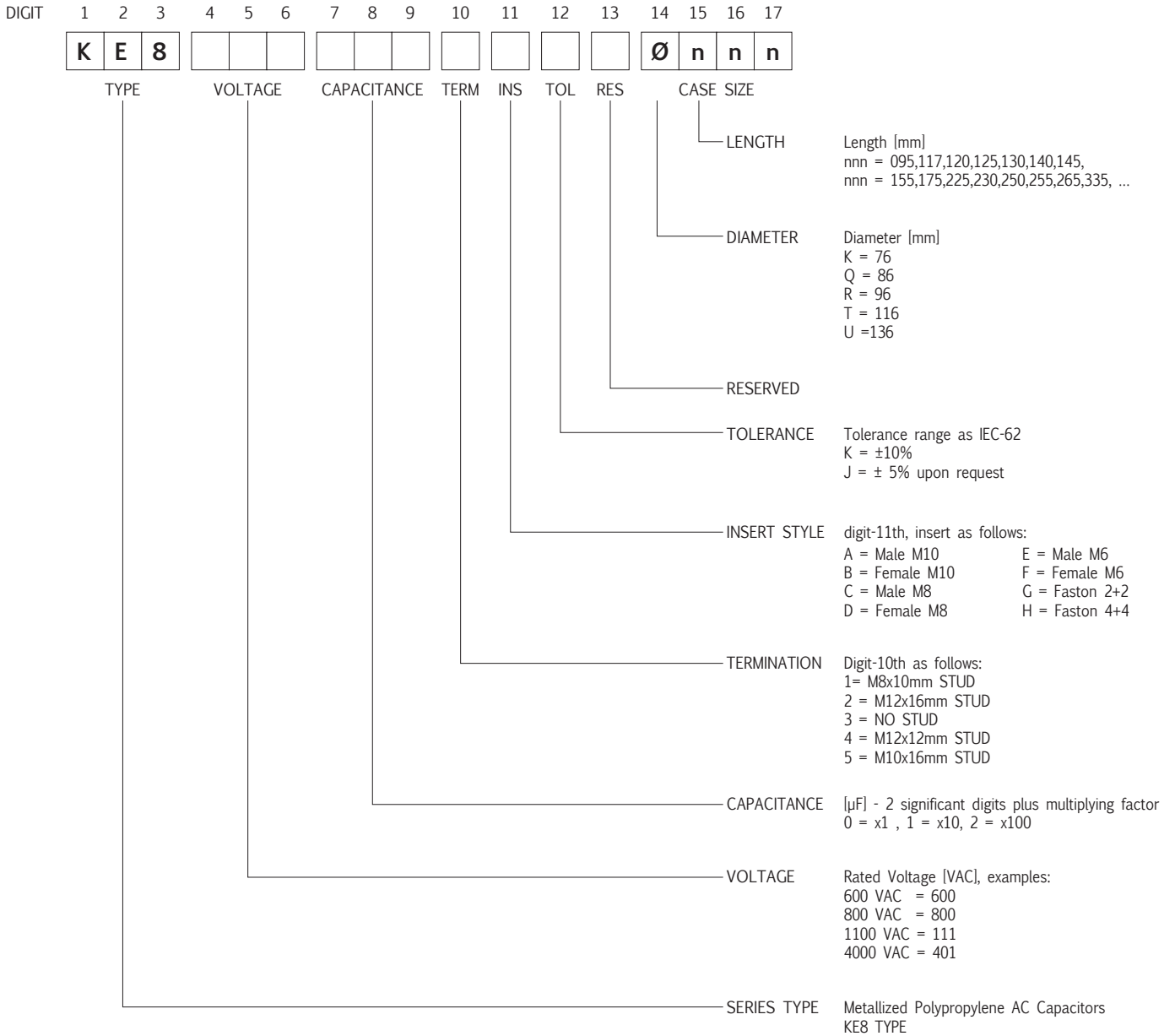
Cap Value μF	OD±1		H±2		I <sub>rms</sub> Max 50°C A	Peak Current A	ESR <sup>Typical</sup> 1KHz mΩ	ESL nH	Thermal Res °C/W	dv/dt V/us	PART NUMBER
	mm	inch	mm	inch							
10	50,0	(1,97)	125,0	(4,92)	16,0	550	5,2	160	6,3	55,0	KE86901001GK1F125
15	50,0	(1,97)	125,0	(4,92)	16,0	420	6,2	160	6,3	28,0	KE86901501GK1F125
20	55,0	(2,17)	125,0	(4,92)	16,0	550	8,3	175	6,0	27,5	KE86902001GK1G125
30	63,5	(2,50)	125,0	(4,92)	16,0	750	6,3	175	5,5	25,0	KE86903001GK1I125
40	76,0	(2,99)	150,0	(5,91)	25,0	1152	4,8	190	4,3	28,8	KE86904002CK1K150
50	86,0	(3,39)	150,0	(5,91)	30,0	1150	4,3	190	4,0	23,0	KE86905002CK1Q150
70	76,0	(2,99)	250,0	(9,84)	30,0	1260	3,7	200	2,9	18,0	KE86907002CK1K250
85	86,0	(3,39)	250,0	(9,84)	40,0	1530	3,5	220	2,5	18,0	KE86908502CK1Q250
100	86,0	(3,39)	250,0	(9,84)	40,0	1800	3,3	200	2,5	18,0	KE86901012CK1Q250
125	106,0	(4,17)	250,0	(9,84)	50,0	1563	4,0	220	2,0	12,5	KE86901212CK1S250
150	106,0	(4,17)	250,0	(9,84)	50,0	1875	3,8	240	2,0	12,5	KE86901512CK1S250
200	116,0	(4,57)	250,0	(9,84)	60,0	3300	1,6	190	2,0	16,5	KE86902012AK1T250

**RATED  
VOLTAGE  
690VAC**

Cap Value μF	OD±1		H±2		I <sub>rms</sub> Max 50°C A	Peak Current A	ESR <sup>Typical</sup> 1KHz mΩ	ESL nH	Thermal Res °C/W	dv/dt V/us	PART NUMBER
	mm	inch	mm	inch							
10	76,0	(2,99)	100,0	(3,94)	22,0	600	2,7	100	8,8	60,0	KE88501002CK1K100
13	76,0	(2,99)	100,0	(3,94)	26,0	650	2,7	120	8,8	50,0	KE88501302CK1K100
22	76,0	(2,99)	150,0	(5,91)	25,0	500	4,4	190	6,3	22,7	KE88502202CK1K150
33	76,0	(2,99)	170,0	(6,69)	40,0	1500	1,9	120	5,0	45,5	KE88503302CK1K170
44	86,0	(3,39)	170,0	(6,69)	43,0	1700	2,1	140	4,2	38,6	KE88504402CK1Q170
68	86,0	(3,39)	250,0	(9,84)	49,0	1400	2,0	190	3,4	20,6	KE88506802CK1Q250
80	86,0	(3,39)	250,0	(9,84)	50,0	1700	1,8	190	3,4	21,3	KE88508002CK1Q250
100	96,0	(3,78)	250,0	(9,84)	56,0	2100	1,8	190	3,0	21,0	KE88501012CK1R250
150	116,0	(4,57)	250,0	(9,84)	60,0	2900	1,6	190	2,6	19,3	KE88501512AK1T250

**RATED  
VOLTAGE  
850VAC**

# PART NUMBER SYSTEM FOR METALLIZED POLYPROPYLENE FILM CAPACITORS



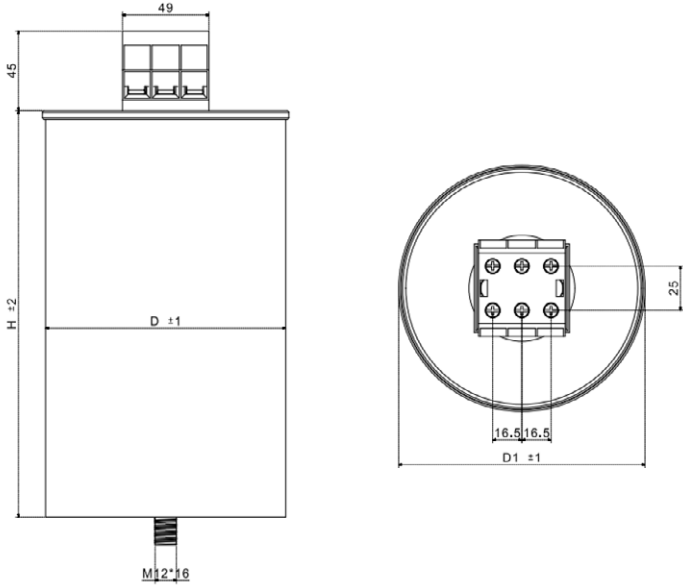
## K5F TYPE -40 +85°C 100000H

### Overview

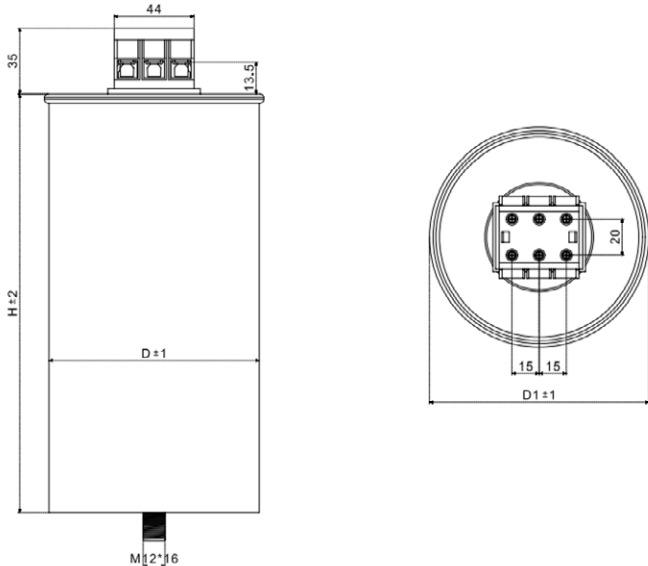
The K5F series capacitors are designed for PFC system or filtering harmonics at the AC output of large inverter system. The K5F series capacitor consists of metallized polypropylene film, enclosed in cylindrical Al case and filled with soft PU resin.

<b>Applications</b>	Widely used in PFC, AC Filtering and LCL System
<b>Reference standard</b>	IEC 61071
<b>Construction</b>	Metallized Polypropylene Film with Soft Resin Filling
<b>Coating</b>	Cylinder Aluminium Case
<b>Terminals</b>	Tinned Brass Terminals (Lead Free)
<b>Operating temperature range</b>	-40 to +85°C
<b>Capacitance</b>	3x8 $\mu$ F to 3x335 $\mu$ F
<b>Rated Voltage</b>	230 to 850 VAC
<b>Tolerance</b>	$\pm$ 5% or $\pm$ 10% at +25°C
<b>Dissipation Factor</b>	$\leq$ 0.0020 at 100Hz
<b>Life Expectancy</b>	$\geq$ 100,000 hours at rated voltage and 70°C
<b>Dielectric strength</b>	2.15 x VR VDC for 10 seconds
<b>Test Voltage terminal to case</b>	4000VAC 50/60Hz 10 seconds
<b>Insulation Resistance</b>	IR x C $\geq$ 5,000s at 100VDC 1minute at +25°C

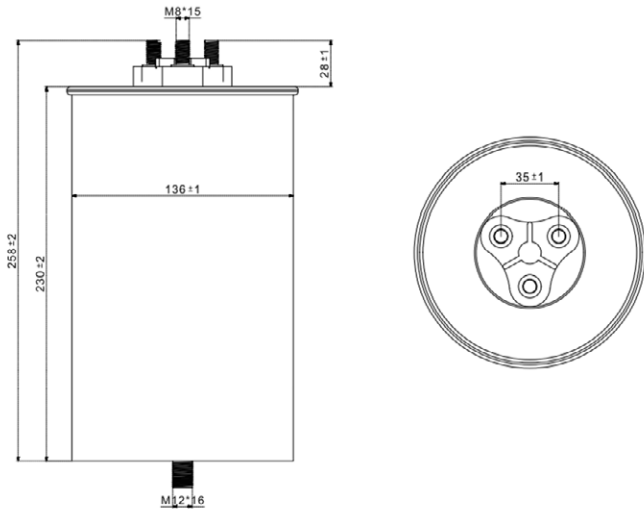
Diameter: 136mm



Diameters: 76mm, 86mm, 96mm, 106mm, 116mm, 136mm



Diameter: 136mm



## K5F TYPE STANDARD RATINGS

Cap Value µF	OD±1 mm	H±2 mm	Output Kvar @50Hz	Irms at 40°C A	Surge Current A	dv/dt V/us	PART NUMBER
3x200,6	86	275	10,0	25,1	5021	25	K5F230201S5K1Q275
3x200,6	116	160	10,0	25,1	5021	25	K5F230201S5K1T160
3x250,7	86	275	12,5	31,4	6276	25	K5F230251S5K1Q275
3x250,7	116	200	12,5	31,4	6276	25	K5F230251S5K1T200
3x300,9	86	350	15,0	37,7	7531	25	K5F230301S5K1Q350
3x300,9	116	200	15,0	37,7	7531	25	K5F230301S5K1T200
3x335,0	116	230	16,7	41,9	8384	25	K5F230331S5K1T230

**RATED  
VOLTAGE  
230VAC**

Cap Value µF	OD±1 mm	H±2 mm	Output Kvar @50Hz	Irms at 40°C A	Surge Current A	dv/dt V/us	PART NUMBER
3x66,3	86	200	10,0	14,4	2887	44	K5F400660S5K1Q200
3x82,9	86	200	12,5	18,0	3609	44	K5F400830S5K1Q200
3x99,5	86	275	15,0	21,7	4330	44	K5F400100S5K1Q275
3x110,7	86	275	16,7	24,1	4821	44	K5F400111S5K1Q275
3x110,7	116	160	16,7	24,1	4821	44	K5F400111S5K1T160
3x132,6	86	275	20,0	28,9	5774	44	K5F400131S5K1Q275
3x132,6	116	200	20,0	28,9	5774	44	K5F400131S5K1T200
3x165,8	86	350	25,0	36,1	7217	44	K5F400161S5K1Q350
3x165,8	116	200	25,0	36,1	7217	44	K5F400161S5K1T200
3x198,9	136	200	30,0	43,3	8661	44	K5F400201S5K1U200

**RATED  
VOLTAGE  
400VAC**

Cap Value µF	OD±1 mm	H±2 mm	Output Kvar @50Hz	Irms at 40°C A	Surge Current A	dv/dt V/us	PART NUMBER
3x46	86	160	8,3	10,9	2178	48	K5F440460S5K1Q160
3x68,5	86	200	12,5	16,4	3280	48	K5F440690S5K1Q200
3x82,2	86	200	15,0	19,7	3937	48	K5F440830S5K1Q200
3x109,0	86	275	20,0	26,2	5249	48	K5F440111S5K1Q275
3x109,0	116	160	20,0	26,2	5249	48	K5F440111S5K1T160
3x123,3	86	275	22,5	29,5	5905	48	K5F440121S5K1Q275
3x123,3	116	200	22,5	29,5	5905	48	K5F440121S5K1T200
3x137,0	116	200	25,0	32,8	6561	48	K5F440141S5K1T200
3x156	116	200	28,1	36,9	7375	48	K5F440151S5K1T200
3x164,4	86	350	30,0	39,4	7873	48	K5F440161S5K1Q350
3x164,4	116	200	30,0	39,4	7873	48	K5F440161S5K1T200

**RATED  
VOLTAGE  
440VAC**

## K5F TYPE STANDARD RATINGS

Cap Value μF	OD±1 mm	H±2 mm	Output Kvar @50Hz	I <sub>rms</sub> at 40°C A	Surge Current A	dv/dt V/us	PART NUMBER
3x40	86	200	8,7	10,5	2093	52	K5F480400S5K1Q200
3x60	86	275	13,0	15,6	3127	52	K5F480600S5K1Q275
3x80	116	200	17,4	20,9	4186	52	K5F480800S5K1T200
3x120	116	275	26,0	31,3	6255	52	K5F480121S5K1T270

**RATED  
VOLTAGE  
480VAC**

Cap Value μF	OD±1 mm	H±2 mm	Output Kvar @50Hz	I <sub>rms</sub> at 40°C A	Surge Current A	dv/dt V/us	PART NUMBER
3x38,5	86	200	10,0	11,0	2199	57	K5F525390S5K1Q200
3x48,1	86	200	12,5	13,7	2749	57	K5F525480S5K1Q200
3x58	86	230	15,0	16,5	3299	57	K5F525580S5K1Q230
3x77,0	86	275	20,0	22,0	4399	57	K5F525770S5K1Q275
3x96	86	350	25,0	27,5	5499	57	K5F525960S5K1Q350
3x96	116	200	25,0	27,5	5499	57	K5F525960S5K1T200
3x115,4	136	200	30,0	33,0	6598	57	K5F525111S5K1U200

**RATED  
VOLTAGE  
525VAC**

Cap Value μF	OD±1 mm	H±2 mm	Output Kvar @50Hz	I <sub>rms</sub> at 40°C A	Surge Current A	dv/dt V/us	PART NUMBER
3x20,3	86	200	8,3	7,3	1457	72	K5F660200S5K1Q200
3x24,4	86	200	10,0	8,7	1750	72	K5F660250S5K1Q200
3x30,4	86	230	12,5	10,9	2187	72	K5F660300S5K1Q230
3x36,5	96	230	15,0	13,1	2624	72	K5F660360S5K1R230
3x48,7	86	350	20,0	17,5	3499	72	K5F660490S5K1Q350

**RATED  
VOLTAGE  
660VAC**

## K5F TYPE STANDARD RATINGS

Cap Value μF	OD±1 mm	H±2 mm	Output Kvar @50Hz	Irms at 40°C A	Surge Current A	dv/dt V/us	PART NUMBER
3x27,9	86	230	12,5	10,5	2092	75	K5F690280S5K1Q230
3x33,4	96	230	15,0	12,6	2510	75	K5F690330S5K1R230
3x44,6	86	350	20,0	16,7	3347	75	K5F690450S5K1Q350
3x55,7	86	350	25,0	20,9	4184	75	K5F690560S5K1Q350

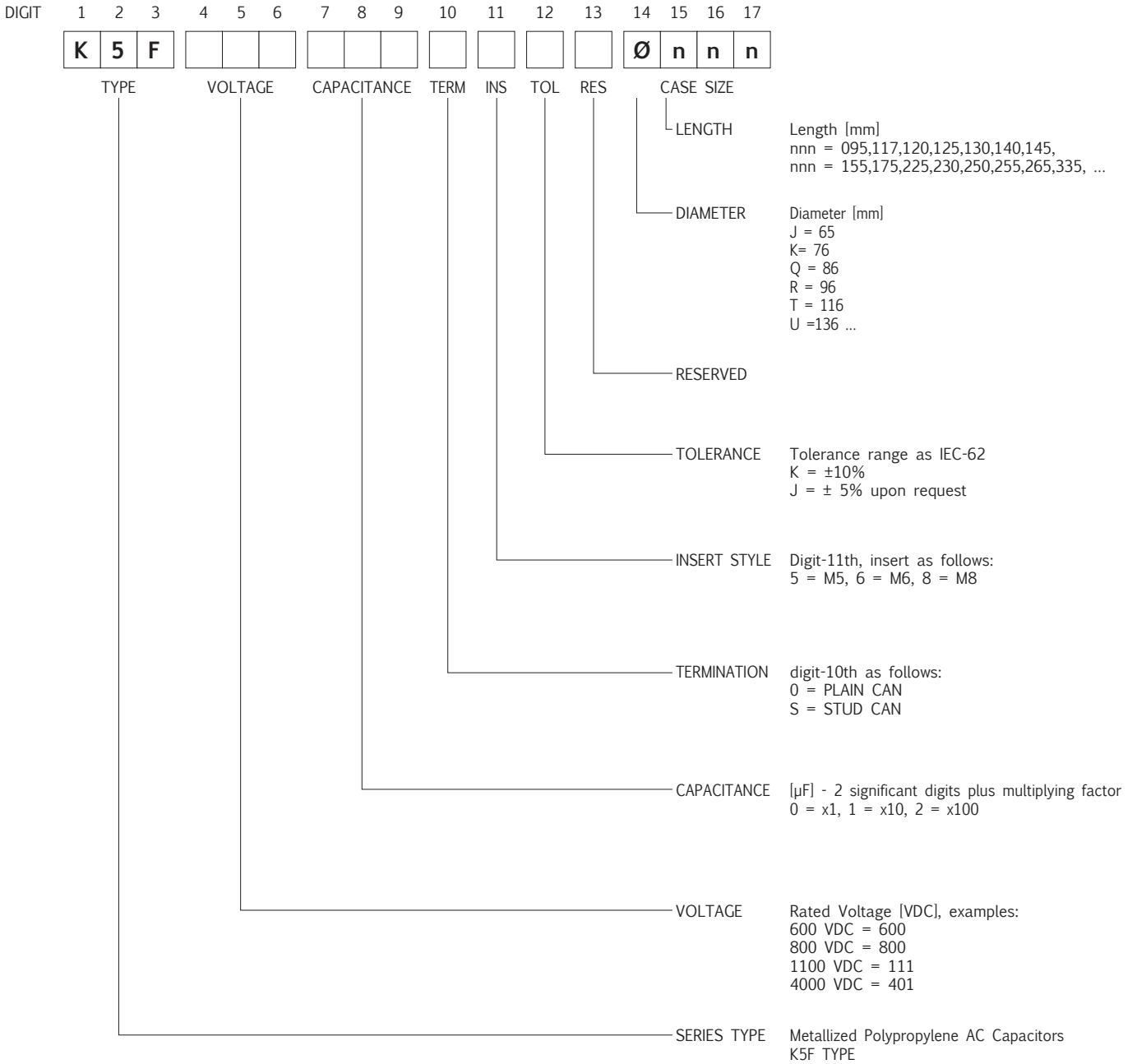
**RATED  
VOLTAGE  
690VAC**

Cap Value μF	OD±1 mm	H±2 mm	Output Kvar @50Hz	Irms at 40°C A	Surge Current A	dv/dt V/us	PART NUMBER
3x8	76	164	5,4	20,0	960	120	K5F850080S5K1K164
3x16	86	200	10,9	25,0	1920	120	K5F850160S5K1Q200
3x25	96	230	17,0	40,0	2500	100	K5F850250S5K1R230
3x37,5	116	230	25,5	45,0	3800	100	K5F850370S5K1T230
3x41,5	116	230	28,2	50,0	4200	100	K5F850410S5K1T230
3x49	136	230	33,3	50,0	4900	100	K5F850490S5K1U230
3x55,7	136	230	37,9	50,0	5600	100	K5F850550S5K1U230

**RATED  
VOLTAGE  
850VAC**

## PART NUMBER SYSTEM FOR METALLIZED POLYPROPYLENE FILM CAPACITORS

New PART-NUMBER CODE in use since Sep 2010. Total length is 17 digits.  
Please see examples below and have a reference code from the standard ratings capacitors pages.

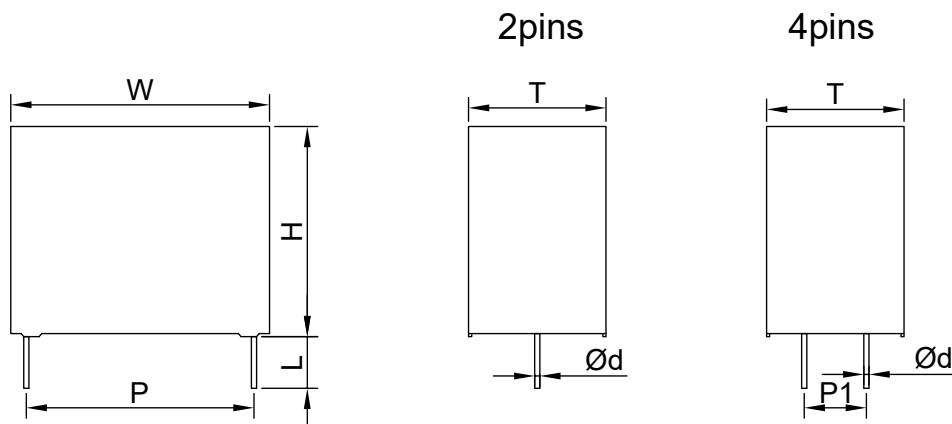


## KE9 TYPE -55 +105°C 100000H

### Overview

The KE9 capacitor is constructed of metallized polypropylene film encapsulated with epoxy resin in a plastic box, with 2 or 4 tinned copper wire terminals. These KE9 series are suitable for harsh environment conditions and compliant to THB Grade IIIB.

<b>Applications</b>	Widely used in Clamping, AC and Harmonic Filtering, UPS Systems, Solar Inverter with LCL Filter and Motor Drive.
<b>Reference standard</b>	IEC 61071
<b>Construction</b>	Metallized Polypropylene Film
<b>Coating</b>	Plastic Box
<b>Terminals</b>	Tinned Copper Wire Terminals
<b>Operating temperature range</b>	-55°C to +105°C (85°C ~105°C, decreasing factor 1.35% per °C for Urms)
<b>Capacitance</b>	0.1µF to 60µF
<b>Rated Voltage</b>	180 to 760 VAC
<b>Tolerance</b>	±5% or ±10% at +25°C
<b>Dissipation Factor</b>	≤0.0020 at 100Hz
<b>Life Expectancy</b>	≥100,000 hours at rated voltage and 85°C hotspot
<b>Dielectric strength</b>	1.5 x VR Vac for 10 seconds (between terminations) @ +25°C ± 5°C
<b>Test Voltage terminal to case</b>	3000VAC, 50/60Hz 60s at +25 ± 5°C
<b>Insulation Resistance</b>	IR xC ≥30,000 s at 100vdc 1minute at +25°C



## KE9 TYPE STANDARD RATINGS

Cap Value μF	Dimensions (mm)					P1	Irms Max 70°C A(10Khz)	Peak Current A	Surge Current A	ESR <sup>Typical</sup> 10KHz mΩ	ESL nH	Thermal Res °C/W	dv/dt V/us	Lead Wire mm	PART NUMBER
	W	H	T	P	P1										
4,0	32	22	13	27,5	/		7,0	300	900	6,8	16	45,0	75	0,8	KE91804D02PK10BHL
5,0	32	28	18	27,5	/		8,0	375	1125	5,5	18	42,6	75	0,8	KE91805D02PK10BHL
6,8	32	33	18	27,5	/		11,0	510	1530	4,0	20	31,0	75	0,8	KE91806D82PK10BHL
10	32	37	22	27,5	/		13,0	750	2250	2,8	22	31,7	75	1,0	KE91801002PK10BHL
10	42	32	19	37,5	/		10,0	450	1350	5,0	24	30,0	45	1,0	KE91801002PK11BHL
15	42	37	22	37,5	/		14,0	675	2025	3,5	24	21,9	45	1,0	KE91801504PK10BHL
18	42	44	24	37,5	/		14,0	810	2430	2,8	24	27,3	45	1,0	KE91801804PK10BHL
20	42	44	24	37,5	/		15,0	900	2700	2,5	24	26,7	45	1,0	KE91802002PK10BHL
22	42	44	24	37,5	/		15,0	990	2970	2,2	26	30,3	45	1,0	KE91802202PK10BHL
25	42	45	30	37,5	/		15,0	1125	3375	2,0	26	33,3	45	1,0	KE91802502PK10BHL
30	42	50	35	37,5	20,3		18,0	1350	4050	1,8	28	25,7	45	1,2	KE91803002PK10BHL
33	42	50	35	37,5	20,3		18,0	1485	4455	1,6	28	28,9	45	1,2	KE91803302PK10BHL
40	57,5	45	30	52,5	20,3		20,0	1000	3000	2,5	30	15,0	25	1,2	KE91804004PK10BHL
50	57,5	50	35	52,5	20,3		24,0	1250	3750	2,2	32	11,8	25	1,2	KE91805004PK10BHL
60	57,5	57,5	38	52,5	20,3		26,0	1500	4500	1,8	32	12,3	25	1,2	KE91806004PK10BHL

**RATED  
VOLTAGE  
180VAC**

Cap Value μF	Dimensions (mm)					P1	Irms Max 70°C A(10Khz)	Peak Current A	Surge Current A	ESR <sup>Typical</sup> 10KHz mΩ	ESL nH	Thermal Res °C/W	dv/dt V/us	Lead Wire mm	PART NUMBER
	W	H	T	P	P1										
1,0	32	18	9	27,5	/		3,0	90	270	16,5	16	101,0	90	0,8	KE92501D02PK10BHL
1,5	32	20	11	27,5	/		4,0	135	405	10,5	16	89,3	90	0,8	KE92501D52PK10BHL
2,0	32	22	13	27,5	/		5,0	180	540	8,5	16	70,6	90	0,8	KE92502D02PK10BHL
2,2	32	22	13	27,5	/		6,0	198	594	7,8	16	53,4	90	0,8	KE92502D22PK10BHL
2,5	32	22	13	27,5	/		6,0	225	675	7,5	16	55,6	90	0,8	KE92502D52PK10BHL
3,0	32	24,5	15	27,5	/		7,0	270	810	6,5	16	47,1	90	0,8	KE92503D02PK10BHL
3,3	32	24,5	15	27,5	/		8,0	297	891	6,2	16	37,8	90	0,8	KE92503D32PK10BHL
3,5	32	28	14	27,5	/		8,0	315	945	5,8	18	40,4	90	0,8	KE92503D52PK10BHL
4,0	32	28	18	27,5	/		10,0	360	1080	4,8	20	31,3	90	0,8	KE92504D02PK10BHL
4,5	32	33	18	27,5	/		10,0	405	1215	4,5	20	33,3	90	0,8	KE92504D52PK10BHL
4,7	42	30	16	37,5	/		7,0	282	846	7,5	24	40,8	60	1,0	KE92504D72PK10BHL
5,0	32	33	18	27,5	/		11,0	450	1350	4,0	20	31,0	90	0,8	KE92505D02PK10BHL
5,0	42	30	16	37,5	/		8,0	300	900	7,0	24	33,5	60	1,0	KE92505D02PK11BHL
6,0	42	30	16	37,5	/		9,0	360	1080	6,0	24	30,9	60	1,0	KE92506D02PK10BHL
6,5	42	30	16	37,5	/		10,0	390	1170	5,6	24	26,8	60	1,0	KE92506D52PK10BHL
6,8	32	37	22	27,5	/		14,0	612	1836	2,8	22	27,3	90	1,0	KE92506D82PK10BHL
6,8	42	32	19	37,5	/		10,5	408	1224	5,4	24	25,2	60	1,0	KE92506D82PK11BHL
7,5	42	32	19	37,5	/		11,0	450	1350	5,0	24	24,8	60	1,0	KE92507D52PK10BHL
8,0	42	37	22	37,5	/		12,0	480	1440	4,5	24	23,1	60	1,0	KE92508D04PK10BHL
10	42	37	22	37,5	/		13,0	600	1800	3,6	24	24,7	60	1,0	KE92501004PK10BHL
12	42	44	24	37,5	/		14,0	720	2160	3,0	24	25,5	60	1,0	KE92501204PK10BHL
15	42	44	24	37,5	/		14,0	900	2700	2,5	24	30,6	60	1,0	KE92501502PK10BHL
18	42	43	28	37,5	/		15,0	1080	3240	2,2	26	30,3	60	1,0	KE92501802PK10BHL
20	42	45	30	37,5	/		15,0	1200	3600	2,0	26	33,3	60	1,0	KE92502002PK10BHL

**RATED  
VOLTAGE  
250VAC**

## KE9 TYPE STANDARD RATINGS

22	42	50	35	37,5	20,3	18,0	1320	3960	1,8	28	25,7	60	1,2	KE92502204PK10BHL
25	57,5	45	30	52,5	20,3	18,0	750	2250	3,2	30	14,5	30	1,2	KE92502504PK10BHL
30	57,5	45	30	52,5	20,3	20,0	900	2700	2,8	30	13,4	30	1,2	KE92503004PK10BHL
35	57,5	50	35	52,5	20,3	24,0	1050	3150	2,4	32	10,9	30	1,2	KE92503504PK10BHL
40	57,5	57,5	38	52,5	20,3	26,0	1200	3600	2,0	32	11,1	30	1,2	KE92504004PK10BHL

**RATED  
VOLTAGE  
250VAC**

Cap Value μF	Dimensions (mm)					I <sub>rms</sub> Max 70°C A(10Khz)	Peak Current A	Surge Current A	ESR <sup>Typical</sup> 10KHz mΩ	ESL nH	Thermal Res °C/W	dv/dt V/us	Lead Wire mm	PART NUMBER
	W	H	T	P	P1									

**RATED  
VOLTAGE  
300VAC**

1,0	32	20	11	27,5	/	4,0	90	270	12,5	16	75,0	90	0,8	KE93001D02PK10BHL
1,5	32	22	13	27,5	/	5,0	135	405	8,5	16	70,6	90	0,8	KE93001D52PK10BHL
2,0	32	24,5	15	27,5	/	6,0	180	540	7,5	16	55,6	90	0,8	KE93002D02PK10BHL
2,2	32	24,5	15	27,5	/	7,0	198	594	6,8	16	45,0	90	0,8	KE93002D22PK10BHL
2,5	32	28	14	27,5	/	8,0	225	675	6,5	18	36,1	90	0,8	KE93002D52PK10BHL
3,0	32	28	18	27,5	/	9,0	270	810	6,0	20	30,9	90	0,8	KE93003D02PK10BHL
3,0	42	30	16	37,5	/	6,0	180	540	9,0	24	46,3	60	1,0	KE93003D02PK11BHL
3,3	32	33	18	27,5	/	10,0	297	891	4,8	20	31,3	90	0,8	KE93003D32PK10BHL
3,3	42	30	16	37,5	/	7,0	198	594	8,5	24	36,0	60	1,0	KE93003D32PK11BHL
3,5	32	33	18	27,5	/	10,5	315	945	4,6	20	29,6	90	0,8	KE93003D52PK10BHL
3,5	42	30	16	37,5	/	7,0	210	630	8,0	24	38,3	60	1,0	KE93003D52PK11BHL
4,0	32	33	18	27,5	/	11,0	360	1080	4,2	20	29,5	90	0,8	KE93004D02PK10BHL
4,0	42	30	16	37,5	/	8,0	240	720	6,8	24	34,5	60	1,0	KE93004D02PK11BHL
4,5	42	30	16	37,5	/	9,0	270	810	6,0	24	30,9	60	1,0	KE93004D52PK10BHL
4,7	32	37	22	27,5	/	13,0	423	1269	3,8	22	23,4	90	1,0	KE93004D72PK10BHL
4,7	42	30	16	37,5	/	9,0	282	846	5,8	24	31,9	60	1,0	KE93004D72PK11BHL
5,0	32	37	22	27,5	/	13,5	450	1350	3,6	22	22,9	90	1,0	KE93005D02PK10BHL
5,0	42	32	19	37,5	/	10,0	300	900	5,5	24	27,3	60	1,0	KE93005D02PK11BHL
5,6	32	37	22	27,5	/	14,0	504	1512	3,0	22	25,5	90	1,0	KE93005D62PK10BHL
6,0	42	32	19	37,5	/	11,0	360	1080	5,0	24	24,8	60	1,0	KE93006D02PK10BHL
6,8	42	37	22	37,5	/	12,0	408	1224	4,5	24	23,1	60	1,0	KE93006D84PK10BHL
8,0	42	37	22	37,5	/	13,0	480	1440	3,6	24	24,7	60	1,0	KE93008D04PK10BHL
10	42	44	24	37,5	/	14,0	600	1800	3,0	24	25,5	60	1,0	KE93001004PK10BHL
12	42	43	28	37,5	/	15,0	720	2160	2,4	26	27,8	60	1,0	KE93001202PK10BHL
15	42	45	30	37,5	/	15,0	900	2700	2,2	26	30,3	60	1,0	KE93001502PK10BHL
18	42	50	35	37,5	20,3	18,0	1080	3240	2,0	28	23,1	60	1,2	KE93001804PK10BHL
18	57,5	45	30	52,5	20,3	16,0	540	1620	3,5	30	16,7	30	1,2	KE93001804PK11BHL
20	57,5	45	30	52,5	20,3	18,0	600	1800	3,2	30	14,5	30	1,2	KE93002004PK10BHL
25	57,5	50	35	52,5	20,3	20,0	750	2250	3,0	32	12,5	30	1,2	KE93002504PK10BHL
30	57,5	57,5	38	52,5	20,3	24,0	900	2700	2,4	32	10,9	30	1,2	KE93003004PK10BHL

## KE9 TYPE STANDARD RATINGS

RATED  
VOLTAGE  
350VAC

Cap Value $\mu\text{F}$	Dimensions (mm)					I <sub>rms</sub> Max 70°C A(10Khz)	Peak Current A	Surge Current A	ESR <sup>Typical</sup> 10KHz m $\Omega$	ESL nH	Thermal Res $^{\circ}\text{C}/\text{W}$	dv/dt V/us	Lead Wire mm	PART NUMBER
	W	H	T	P	P1									
0,33	32	18	9	27,5	/	1,5	33	99	45,0	16	148,1	100	0,8	KE9350D332PK10BHL
0,39	32	18	9	27,5	/	1,6	39	117	40,0	16	146,5	100	0,8	KE9350D392PK10BHL
0,47	32	18	9	27,5	/	2,0	47	141	35,0	16	107,1	100	0,8	KE9350D472PK10BHL
0,68	32	20	11	27,5	/	2,5	68	204	24,0	16	100,0	100	0,8	KE9350D682PK10BHL
0,82	32	22	13	27,5	/	3,0	82	246	20,5	16	81,3	100	0,8	KE9350D822PK10BHL
1,0	32	22	13	27,5	/	3,2	100	300	15,5	16	94,5	100	0,8	KE93501D02PK10BHL
1,5	32	24,5	15	27,5	/	4,0	150	450	13,0	16	72,1	100	0,8	KE93501D52PK10BHL
2,0	32	28	18	27,5	/	4,8	200	600	10,8	18	60,3	100	0,8	KE93502D02PK10BHL
2,0	42	30	16	37,5	/	4,5	140	420	12,8	24	57,9	70	1,0	KE93502D02PK11BHL
2,2	32	28	18	27,5	/	5,0	220	660	10,2	18	58,8	100	0,8	KE93502D22PK10BHL
2,2	42	30	16	37,5	/	4,8	154	462	12,5	24	52,1	70	1,0	KE93502D22PK11BHL
2,5	32	33	18	27,5	/	6,0	250	750	7,0	20	59,5	100	0,8	KE93502D52PK10BHL
2,5	42	30	16	37,5	/	5,2	175	525	11,8	24	47,0	70	1,0	KE93502D52PK11BHL
3,0	32	37	22	27,5	/	7,0	300	900	5,8	22	52,8	100	1,0	KE93503D02PK10BHL
3,0	42	30	16	37,5	/	5,5	210	630	10,8	24	45,9	70	1,0	KE93503D02PK11BHL
3,3	32	37	22	27,5	/	7,5	330	990	5,2	22	51,3	100	1,0	KE93503D32PK10BHL
3,3	42	30	16	37,5	/	6,0	231	693	8,8	24	47,3	70	1,0	KE93503D32PK11BHL
3,5	32	37	22	27,5	/	7,8	350	1050	5,0	22	49,3	100	1,0	KE93503D52PK10BHL
3,5	42	30	16	37,5	/	6,5	245	735	8,6	24	41,3	70	1,0	KE93503D52PK11BHL
4,0	32	37	22	27,5	/	8,0	400	1200	4,5	22	52,1	100	1,0	KE93504D02PK10BHL
4,0	42	32	19	37,5	/	7,0	280	840	8,0	24	38,3	70	1,0	KE93504D02PK11BHL
4,5	42	37	22	37,5	/	8,0	315	945	7,0	24	33,5	70	1,0	KE93504D54PK10BHL
5,0	42	37	22	37,5	/	8,5	350	1050	6,8	24	30,5	70	1,0	KE93505D04PK10BHL
5,5	42	37	22	37,5	/	8,8	385	1155	6,4	24	30,3	70	1,0	KE93505D54PK10BHL
6,0	42	44	24	37,5	/	9,5	420	1260	6,0	24	27,7	70	1,0	KE93506D04PK10BHL
6,5	42	44	24	37,5	/	10,0	455	1365	5,5	24	27,3	70	1,0	KE93506D54PK10BHL
7,0	42	44	24	37,5	/	10,5	490	1470	5,2	24	26,2	70	1,0	KE93507D04PK10BHL
8,0	42	44	24	37,5	/	10,5	560	1680	5,2	24	26,2	70	1,0	KE93508D04PK10BHL
8,5	42	43	28	37,5	/	11,0	595	1785	4,8	26	25,8	70	1,0	KE93508D52PK10BHL
9,0	42	43	28	37,5	/	11,0	630	1890	4,6	26	26,9	70	1,0	KE93509D02PK10BHL
9,5	42	45	30	37,5	/	11,5	665	1995	4,4	26	25,8	70	1,0	KE93509D52PK10BHL
10	42	45	30	37,5	/	12,0	700	2100	4,2	26	24,8	70	1,0	KE93501002PK10BHL
12	42	50	35	37,5	20,3	14,0	840	2520	3,6	28	21,3	70	1,2	KE93501204PK10BHL
15	57,5	45	30	52,5	20,3	16,5	600	1800	3,5	30	15,7	40	1,2	KE93501504PK10BHL
18	57,5	50	35	52,5	20,3	18,0	720	2160	3,0	32	15,4	40	1,2	KE93501804PK10BHL
20	57,5	57,5	38	52,5	20,3	20,0	800	2400	2,8	32	13,4	40	1,2	KE93502004PK10BHL
22	57,5	57,5	38	52,5	20,3	22,0	880	2640	2,6	32	11,9	40	1,2	KE93502204PK10BHL
25	57,5	55	45	52,5	20,3	24,0	1000	3000	2,4	32	10,9	40	1,2	KE93502504PK10BHL
30	57,5	65	45	52,5	20,3	26,0	1200	3600	2,2	32	10,1	40	1,2	KE93503004PK10BHL

## KE9 TYPE STANDARD RATINGS

Cap Value μF	Dimensions (mm)					I <sub>rms</sub> Max 70°C A(10Khz)	Peak Current A	Surge Current A	ESR <sup>Typical</sup> 10KHz mΩ	ESL nH	Thermal Res °C/W	dv/dt V/us	Lead Wire mm	PART NUMBER
	W	H	T	P	P1									
0,33	32	18	9	27,5	/	1,5	40	119	45,0	16	148,1	120	0,8	KE9400D332PK10BHL
0,39	32	18	9	27,5	/	1,6	47	140	40,0	16	146,5	120	0,8	KE9400D392PK10BHL
0,47	32	18	9	27,5	/	2,0	56	169	35,0	16	107,1	120	0,8	KE9400D472PK10BHL
0,68	32	20	11	27,5	/	2,5	82	245	24,0	16	100,0	120	0,8	KE9400D682PK10BHL
0,82	32	22	13	27,5	/	3,0	98	295	20,5	16	81,3	120	0,8	KE9400D822PK10BHL
1,0	32	24	14	27,5	/	3,2	120	360	15,5	16	94,5	120	0,8	KE94001D02PK10BHL
1,5	32	28	18	27,5	/	4,8	180	540	10,8	18	60,3	120	0,8	KE94001D52PK10BHL
2,0	32	33	18	27,5	/	6,0	240	720	7,0	20	59,5	120	0,8	KE94002D02PK10BHL
2,0	42	30	16	37,5	/	4,5	160	480	12,8	24	57,9	80	1,0	KE94002D02PK11BHL
2,2	32	33	18	27,5	/	6,0	264	792	7,0	20	59,5	120	0,8	KE94002D22PK10BHL
2,2	42	30	16	37,5	/	4,8	176	528	12,5	24	52,1	80	1,0	KE94002D22PK11BHL
2,5	32	37	22	27,5	/	7,0	300	900	5,8	22	52,8	120	1,0	KE94002D52PK10BHL
2,5	42	30	16	37,5	/	5,2	200	600	11,8	24	47,0	80	1,0	KE94002D52PK11BHL
3,0	32	37	22	27,5	/	7,5	360	1080	5,2	22	51,3	120	1,0	KE94003D02PK10BHL
3,0	42	32	19	37,5	/	6,0	240	720	8,8	24	47,3	80	1,0	KE94003D02PK11BHL
3,3	42	32	19	37,5	/	6,5	264	792	8,6	24	41,3	80	1,0	KE94003D32PK10BHL
3,5	42	37	22	37,5	/	7,0	280	840	8,0	24	38,3	80	1,0	KE94003D54PK10BHL
4,0	42	37	22	37,5	/	8,0	320	960	7,0	24	33,5	80	1,0	KE94004D04PK10BHL
4,5	42	37	22	37,5	/	8,5	360	1080	6,8	24	30,5	80	1,0	KE94004D54PK10BHL
5,0	42	44	24	37,5	/	9,5	400	1200	6,0	24	27,7	80	1,0	KE94005D04PK10BHL
5,5	42	44	24	37,5	/	10,0	440	1320	5,5	24	27,3	80	1,0	KE94005D54PK10BHL
6,0	42	43	28	37,5	/	10,5	480	1440	4,8	26	28,3	80	1,0	KE94006D02PK10BHL
6,5	42	43	28	37,5	/	10,5	520	1560	4,6	26	29,6	80	1,0	KE94006D52PK10BHL
7,0	42	43	28	37,5	/	11,0	560	1680	4,4	26	28,2	80	1,0	KE94007D02PK10BHL
7,5	42	45	30	37,5	/	11,0	600	1800	4,4	26	28,2	80	1,0	KE94007D52PK10BHL
8,0	42	45	30	37,5	/	11,5	640	1920	4,2	26	27,0	80	1,0	KE94008D02PK10BHL
9,0	42	50	35	37,5	20,3	12,5	720	2160	4,0	28	24,0	80	1,2	KE94009D04PK10BHL
10	42	50	35	37,5	20,3	14,0	800	2400	3,6	28	21,3	80	1,2	KE94001004PK10BHL
10	57,5	45	30	52,5	20,3	12,5	500	1500	4,2	30	22,9	50	1,2	KE94001004PK11BHL
12	57,5	50	35	52,5	20,3	14,0	600	1800	3,8	32	20,1	50	1,2	KE94001204PK10BHL
14	57,5	50	35	52,5	20,3	16,0	700	2100	3,6	32	16,3	50	1,2	KE94001404PK10BHL
18	57,5	57,5	38	52,5	20,3	20,0	900	2700	3,0	32	12,5	50	1,2	KE94001804PK10BHL
20	57,5	55	45	52,5	20,3	22,0	1000	3000	2,8	32	11,1	50	1,2	KE94002004PK10BHL
22	57,5	65	45	52,5	20,3	24,0	1100	3300	2,5	32	10,4	50	1,2	KE94002204PK10BHL
25	57,5	65	45	52,5	20,3	26,0	1250	3750	2,2	32	10,1	50	1,2	KE94002504PK10BHL

**RATED  
VOLTAGE  
400VAC**

## KE9 TYPE STANDARD RATINGS

**RATED  
VOLTAGE  
500VAC**

Cap Value μF	Dimensions (mm)					I <sub>rms</sub> Max 70°C A(10KHz)	Peak Current A	Surge Current A	ESR <sup>Typical</sup> 10KHz mΩ	ESL nH	Thermal Res °C/W	dv/dt V/us	Lead Wire mm	PART NUMBER
	W	H	T	P	P1									
0,22	32	18	9	27,5	/	1,5	31	92	45,0	16	148,1	140	0,8	KE9500D222PK10BHL
0,27	32	18	9	27,5	/	1,6	38	113	40,0	16	146,5	140	0,8	KE9500D272PK10BHL
0,33	32	20	11	27,5	/	2,5	46	139	24,0	16	100,0	140	0,8	KE9500D332PK10BHL
0,39	32	20	11	27,5	/	2,5	55	164	24,0	16	100,0	140	0,8	KE9500D392PK10BHL
0,47	32	22	13	27,5	/	2,8	66	197	21,5	16	89,0	140	0,8	KE9500D472PK10BHL
0,56	32	22	13	27,5	/	3,0	78	235	20,5	16	81,3	140	0,8	KE9500D562PK10BHL
0,68	32	24,5	15	27,5	/	3,5	95	286	15,5	16	79,0	140	0,8	KE9500D682PK10BHL
0,82	32	28	18	27,5	/	4,8	115	344	12,5	18	52,1	140	0,8	KE9500D822PK10BHL
1,0	32	33	18	27,5	/	6,0	140	420	9,0	20	46,3	140	0,8	KE95001D02PK10BHL
1,0	42	30	16	37,5	/	4,5	90	270	12,8	24	57,9	90	1,0	KE95001D02PK11BHL
1,2	32	33	18	27,5	/	6,0	168	504	9,0	20	46,3	140	0,8	KE95001D22PK10BHL
1,2	42	30	16	37,5	/	4,8	108	324	12,5	24	52,1	90	1,0	KE95001D22PK11BHL
1,5	32	37	22	27,5	/	7,0	210	630	8,5	22	36,0	140	1,0	KE95001D52PK10BHL
1,5	42	30	16	37,5	/	5,2	135	405	11,8	24	47,0	90	1,0	KE95001D52PK11BHL
1,8	32	37	22	27,5	/	7,5	252	756	7,8	22	34,2	140	1,0	KE95001D82PK10BHL
1,8	42	32	19	37,5	/	6,0	162	486	9,0	24	46,3	90	1,0	KE95001D82PK11BHL
2,0	42	32	19	37,5	/	6,5	180	540	8,6	24	41,3	90	1,0	KE95002D02PK10BHL
2,5	42	37	22	37,5	/	7,0	225	675	8,0	24	38,3	90	1,0	KE95002D54PK10BHL
2,8	42	37	22	37,5	/	8,0	252	756	7,0	24	33,5	90	1,0	KE95002D84PK10BHL
3,0	42	37	22	37,5	/	8,5	270	810	6,8	24	30,5	90	1,0	KE95003D04PK10BHL
3,5	42	44	24	37,5	/	9,5	315	945	6,0	24	27,7	90	1,0	KE95003D54PK10BHL
4,0	42	43	28	37,5	/	10,5	360	1080	4,8	26	28,3	90	1,0	KE95004D02PK10BHL
4,5	42	43	28	37,5	/	10,5	405	1215	4,8	26	28,3	90	1,0	KE95004D52PK10BHL
5,0	42	45	30	37,5	/	11,0	450	1350	4,5	26	27,5	90	1,0	KE95005D02PK10BHL
5,5	42	50	35	37,5	20,3	12,5	495	1485	4,2	28	22,9	90	1,2	KE95005D54PK10BHL
6,0	42	50	35	37,5	20,3	14,0	540	1620	3,8	28	20,1	90	1,2	KE95006D04PK10BHL
7,0	57,5	45	30	52,5	20,3	12,5	420	1260	4,2	30	22,9	60	1,2	KE95007D04PK10BHL
8,0	57,5	50	35	52,5	20,3	14,0	480	1440	3,8	32	20,1	60	1,2	KE95008D04PK10BHL
9,0	57,5	50	35	52,5	20,3	16,0	540	1620	3,6	32	16,3	60	1,2	KE95009D04PK10BHL
10	57,5	57,5	38	52,5	20,3	18,0	600	1800	3,4	32	13,6	60	1,2	KE95001004PK10BHL
12	57,5	57,5	38	52,5	20,3	20,0	720	2160	3,2	32	11,7	60	1,2	KE95001204PK10BHL
15	57,5	65	45	52,5	20,3	22,0	900	2700	3,0	32	10,3	60	1,2	KE95001504PK10BHL

**RATED  
VOLTAGE  
600VAC**

Cap Value μF	Dimensions (mm)					I <sub>rms</sub> Max 70°C A(10KHz)	Peak Current A	Surge Current A	ESR <sup>Typical</sup> 10KHz mΩ	ESL nH	Thermal Res °C/W	dv/dt V/us	Lead Wire mm	PART NUMBER
	W	H	T	P	P1									
0,15	32	18	9	27,5	/	1,5	24	72	45,0	16	148,1	160	0,8	KE9600D152PK10BHL
0,22	32	20	11	27,5	/	2,5	35	106	24,0	16	100,0	160	0,8	KE9600D222PK10BHL
0,33	32	22	13	27,5	/	2,8	53	158	21,5	16	89,0	160	0,8	KE9600D332PK10BHL
0,47	32	24,5	15	27,5	/	3,2	75	226	15,5	16	94,5	160	0,8	KE9600D472PK10BHL
0,56	32	28	14	27,5	/	4,0	90	269	12,5	18	75,0	160	0,8	KE9600D562PK10BHL
0,68	32	28	18	27,5	/	4,8	109	326	10,8	18	60,3	160	0,8	KE9600D682PK10BHL

## KE9 TYPE STANDARD RATINGS

0,82	32	33	18	27,5	/	6,0	131	394	7,0	20	59,5	160	0,8	KE9600D822PK10BHL
1,0	32	33	18	27,5	/	6,0	160	480	7,0	20	59,5	160	0,8	KE96001D02PK10BHL
1,0	42	30	16	37,5	/	4,5	100	300	12,8	24	57,9	100	1,0	KE96001D02PK11BHL
1,2	32	37	22	27,5	/	7,0	192	576	5,8	22	52,8	160	1,0	KE96001D22PK10BHL
1,2	42	32	19	37,5	/	6,0	120	360	8,8	24	47,3	100	1,0	KE96001D22PK11BHL
1,5	42	32	19	37,5	/	6,5	150	450	8,6	24	41,3	100	1,0	KE96001D52PK10BHL
1,8	42	37	22	37,5	/	7,0	180	540	8,0	24	38,3	100	1,0	KE96001D84PK10BHL
2,0	42	37	22	37,5	/	8,0	200	600	7,0	24	33,5	100	1,0	KE96002D04PK10BHL
2,2	42	44	24	37,5	/	9,0	220	660	6,5	24	28,5	100	1,0	KE96002D24PK10BHL
2,5	42	44	24	37,5	/	9,5	250	750	6,0	24	27,7	100	1,0	KE96002D54PK10BHL
2,8	42	43	28	37,5	/	10,0	280	840	5,5	26	27,3	100	1,0	KE96002D82PK10BHL
3,0	42	45	30	37,5	/	10,5	300	900	5,0	26	27,2	100	1,0	KE96003D02PK10BHL
3,5	42	50	35	37,5	20,3	12,5	350	1050	4,5	28	21,3	100	1,2	KE96003D54PK10BHL
4,0	42	50	35	37,5	20,3	14,0	400	1200	4,0	28	19,1	100	1,2	KE96004D04PK10BHL
4,5	57,5	45	30	52,5	20,3	12,5	315	945	4,5	30	21,3	70	1,2	KE96004D54PK10BHL
5,0	57,5	45	30	52,5	20,3	13,5	350	1050	4,2	30	19,6	70	1,2	KE96005D04PK10BHL
6,0	57,5	50	35	52,5	20,3	14,0	420	1260	4,0	32	19,1	70	1,2	KE96006D04PK10BHL
6,5	57,5	50	35	52,5	20,3	16,0	455	1365	3,8	32	15,4	70	1,2	KE96006D54PK10BHL
7,0	57,5	57,5	38	52,5	20,3	18,0	490	1470	3,6	32	12,9	70	1,2	KE96007D04PK10BHL
7,5	57,5	57,5	38	52,5	20,3	19,0	525	1575	3,4	32	12,2	70	1,2	KE96007D54PK10BHL
8,0	57,5	57,5	38	52,5	20,3	20,0	560	1680	3,2	32	11,7	70	1,2	KE96008D04PK10BHL
10	57,5	65	45	52,5	20,3	22,0	700	2100	3,0	32	10,3	70	1,2	KE96001004PK10BHL

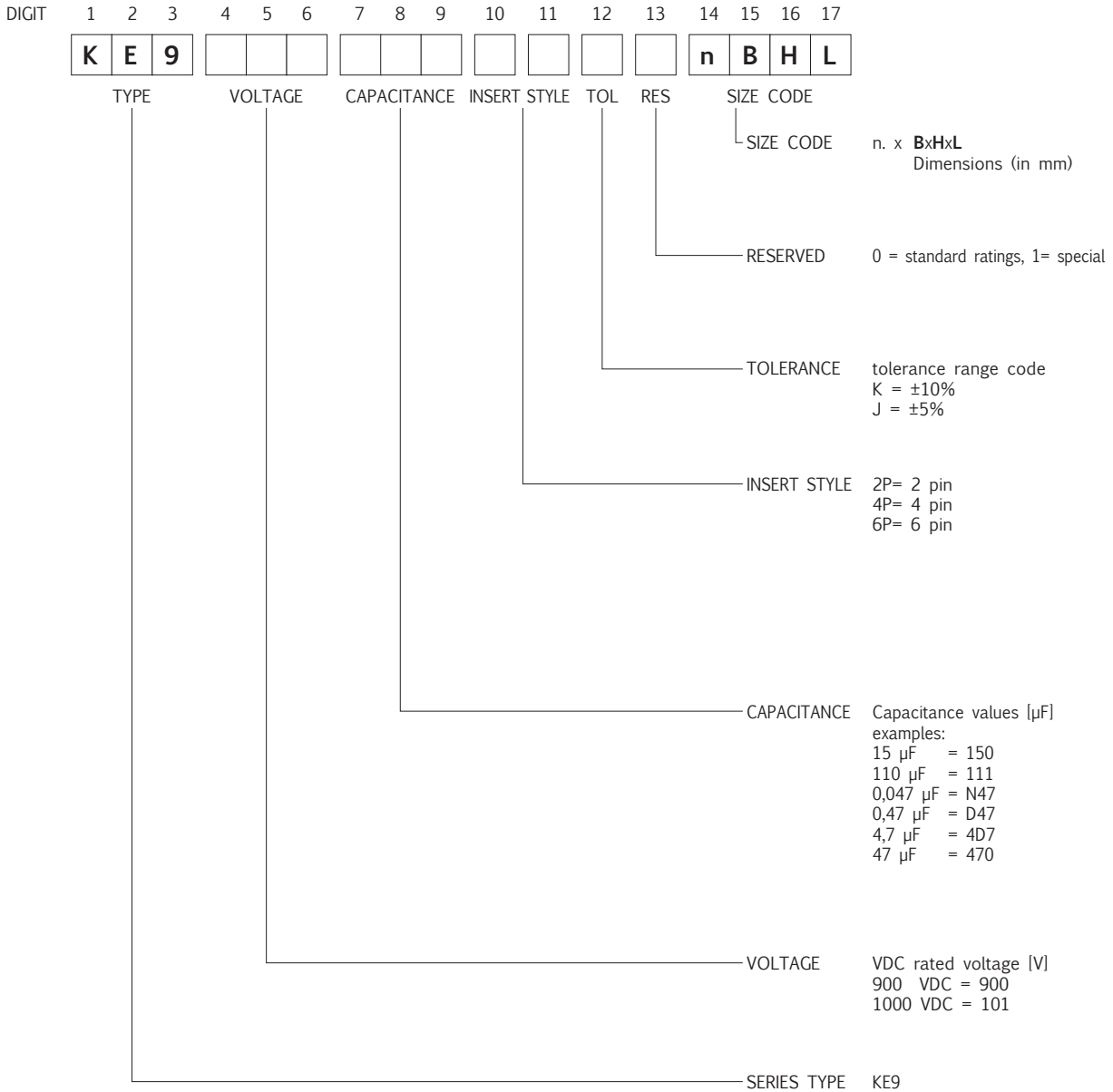
**RATED  
VOLTAGE  
600VAC**

Cap Value	Dimensions (mm)					Irms Max	Peak	Surge	ESR <sup>typical</sup>	Thermal	Lead	PART NUMBER		
μF	W	H	T	P	P1	A(10Khz)	A	A	ESL	Res	Wire			
									nH	°C/W	V/us	mm		
0,1	32	18	9	27,5	/	1,5	20	60	45,0	16	148,1	200	0,8	KE9760D102PK10BHL
0,15	32	20	11	27,5	/	2,5	30	90	24,0	16	100,0	200	0,8	KE9760D152PK10BHL
0,22	32	22	13	27,5	/	2,8	44	132	21,5	16	89,0	200	0,8	KE9760D222PK10BHL
0,33	32	24,5	15	27,5	/	3,2	66	198	15,5	16	94,5	200	0,8	KE9760D332PK10BHL
0,47	32	28	18	27,5	/	4,5	94	282	12,0	18	61,7	200	0,8	KE9760D472PK10BHL
0,56	32	33	18	27,5	/	5,0	112	336	10,5	20	57,1	200	0,8	KE9760D562PK10BHL
0,68	32	37	22	27,5	/	6,0	136	408	9,5	22	43,9	200	1,0	KE9760D682PK10BHL
0,68	42	30	16	37,5	/	4,5	82	245	12,8	24	57,9	120	1,0	KE9760D682PK11BHL
0,82	42	32	19	37,5	/	5,5	98	295	10,0	24	49,6	120	1,0	KE9760D822PK10BHL
1,0	42	32	19	37,5	/	6,5	120	360	9,0	24	39,4	120	1,0	KE97601D02PK10BHL
1,2	42	37	22	37,5	/	7,0	144	432	8,5	24	36,0	120	1,0	KE97601D24PK10BHL
1,5	42	44	24	37,5	/	8,0	180	540	7,5	24	31,3	120	1,0	KE97601D54PK10BHL
1,8	42	43	28	37,5	/	9,5	216	648	6,5	26	25,6	120	1,0	KE97601D82PK10BHL
2,0	42	45	30	37,5	/	10,5	240	720	5,0	26	27,2	120	1,0	KE97602D02PK10BHL
2,5	42	50	35	37,5	20,3	12,5	300	900	4,5	28	21,3	120	1,2	KE97602D54PK10BHL
3,0	57,5	45	30	52,5	20,3	12,5	240	720	4,5	30	21,3	80	1,2	KE97603D04PK10BHL
4,0	57,5	50	35	52,5	20,3	14,0	320	960	4,0	32	19,1	80	1,2	KE97604D04PK10BHL
5,0	57,5	57,5	38	52,5	20,3	16,0	400	1200	3,6	32	16,3	80	1,2	KE97605D04PK10BHL
6,0	57,5	55	45	52,5	20,3	18,0	480	1440	3,4	32	13,6	80	1,2	KE97606D04PK10BHL
7,0	57,5	65	45	52,5	20,3	20,0	560	1680	3,2	32	11,7	80	1,2	KE97607D04PK10BHL

**RATED  
VOLTAGE  
760VAC**

# PART NUMBER SYSTEM FOR METALLIZED POLYPROPYLENE FILM CAPACITORS

Total length is 17 digits.

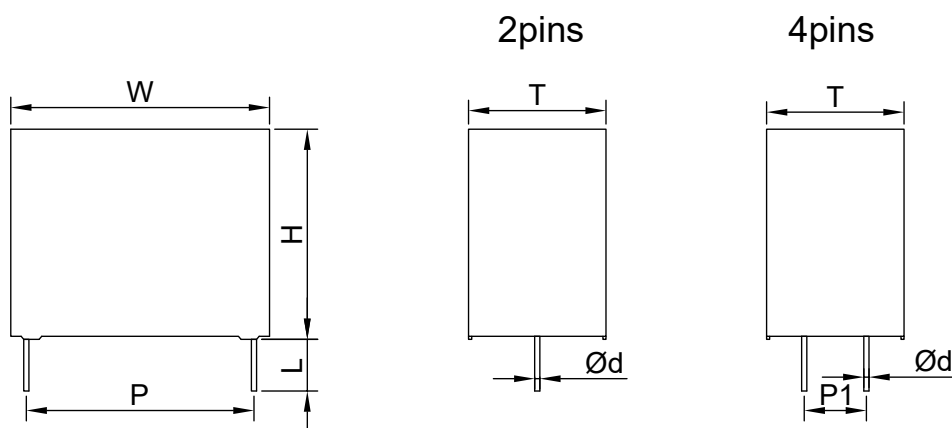


## K2F TYPE -40 +105°C 100000H

### Overview

The K2F capacitor is constructed of metallized polypropylene film encapsulated with polyester tape wrapping filled with epoxy resin and tinned copper wire.

<b>Applications</b>	Widely used in Clamping, AC and Harmonic Filtering, UPS Systems, Solar Inverter with LCL Filter and Motor Drive.
<b>Reference standard</b>	IEC 61071
<b>Construction</b>	Metallized Polypropylene Film
<b>Coating</b>	Polyester Tape Wrapping
<b>Terminals</b>	Tinned Copper Wire Terminals
<b>Operating temperature range</b>	-40°C to +105°C (85°C ~105°C, decreasing factor 1.25% per °C for Urms)
<b>Capacitance</b>	0.15µF to 40µF
<b>Rated Voltage</b>	160 to 450 VAC
<b>Tolerance</b>	±5% or ±10% at +25°C
<b>Dissipation Factor</b>	≤ 0.002 (0.20%) at 1 kHz. C ≤ 20µF at +25°C ≤ 0.003 (0.30%) at 1 kHz. C > 20µF at +25°C
<b>Life Expectancy</b>	≥100,000 hours at rated voltage and 85°C hotspot
<b>Dielectric strength</b>	1.5 x VR Vac for 10 seconds (between terminations) @ +25°C ± 5°C
<b>Test Voltage terminal to case</b>	3000VAC, 50/60Hz 60s at +25 ± 5°C
<b>Insulation Resistance</b>	IR xC ≥ 30,000 s at 100vdc 1minute at +25°C



## K2F TYPE STANDARD RATINGS

**RATED  
VOLTAGE  
250VAC  
500VDC**

Cap Value μF	Dimensions (mm)					P1	I <sub>rms</sub> Max 70°C A(10KHz)	Peak Current A	Surge Current A	ESR <sup>Typical</sup> 10KHz mΩ	ESL nH	Thermal Res °C/W	dv/dt V/us	Lead Wire mm	PART NUMBER
	W	H	T	P	P1										
1,0	32	18	9	27,5	/		3,8	90	270	32,8	12	41,7	90	0,8	K2F5001D02PK11BHL
1,0	32	20	11	27,5	/		4,5	90	270	27,3	14	35,7	90	0,8	K2F5001D02PK12BHL
1,5	32	20	11	27,5	/		5,1	135	405	21,9	14	35,7	90	0,8	K2F5001D52PK11BHL
2,2	32	22	13	27,5	/		6,3	198	594	14,9	15	33,3	90	0,8	K2F5002D22PK11BHL
2,2	32	25	13	27,5	/		6,6	198	594	14,9	16	31,3	90	0,8	K2F5002D22PK12BHL
2,5	32	25	13	27,5	/		7,0	225	675	13,1	16	31,3	90	0,8	K2F5002D52PK11BHL
3,3	32	28	14	27,5	/		8,9	297	891	9,0	18	27,8	90	0,8	K2F5003D32PK11BHL
3,3	32	25	15	27,5	/		8,8	297	891	9,0	17	28,6	90	0,8	K2F5003D32PK12BHL
3,3	32	28	18	27,5	/		10,1	297	891	8,3	19	23,8	90	0,8	K2F5003D32PK13BHL
4,0	32	28	18	27,5	/		10,6	360	1080	7,4	19	23,8	90	0,8	K2F5004D02PK11BHL
4,7	32	28	18	27,5	/		11,0	423	1269	7,0	19	23,8	90	0,8	K2F5004D72PK11BHL
5,5	32	33	18	27,5	/		11,3	495	1485	7,2	21	21,7	90	0,8	K2F5005D52PK11BHL
6,8	32	37	22	27,5	/		12,8	612	1836	7,1	23	17,2	90	0,8	K2F5006D82PK11BHL
7,5	32	37	22	27,5	/		12,8	675	2025	7,1	23	17,2	90	0,8	K2F5007D52PK11BHL
8,0	42	37	22	37,5	10,2		12,4	480	1440	9,2	14	14,3	60	1,2	K2F5008D04PK11BHL
10,0	42	40	20	37,5	10,2		14,9	600	1800	6,5	14	13,9	60	1,2	K2F5001004PK11BHL
10,0	42	37	22	37,5	10,2		14,7	600	1800	6,5	14	14,3	60	1,2	K2F5001004PK12BHL
15,0	42	44	24	37,5	10,2		18,6	900	2700	4,8	15	12,2	60	1,2	K2F5001504PK11BHL
15,0	42	45	30	37,5	20,3		21,5	900	2700	4,3	16	10,0	60	1,2	K2F5001504PK12BHL
22,0	42	50	35	37,5	20,3		25,9	1320	3960	3,6	17	8,3	60	1,2	K2F5002204PK11BHL
24,0	42	50	35	37,5	20,3		26,0	1440	4320	3,5	17	8,3	60	1,2	K2F5002404PK11BHL
30,0	58	45	30	52,5	20,3		22,3	900	2700	5,0	15	8,0	30	1,2	K2F5003004PK11BHL
33,0	58	50	35	52,5	20,3		25,2	990	2970	4,6	17	6,9	30	1,2	K2F5003304PK11BHL
35,0	58	50	35	52,5	20,3		26,0	1050	3150	4,3	17	6,9	30	1,2	K2F5003504PK11BHL
40,0	58	58	38	52,5	20,3		30,1	1200	3600	3,8	20	5,9	30	1,2	K2F5004004PK11BHL
47,0	58	55	45	52,5	20,3		31,0	1410	4230	3,8	19	5,4	30	1,2	K2F5004704PK11BHL
55,0	58	55	45	52,5	20,3		33,6	1650	4950	3,3	19	5,4	30	1,2	K2F5005504PK11BHL
62,0	58	65	45	52,5	20,3		36,6	1860	5580	2,9	20	5,1	30	1,2	K2F5006204PK11BHL
65,0	58	65	45	52,5	20,3		37,5	1950	5850	2,8	20	5,1	30	1,2	K2F5006504PK11BHL

**RATED  
VOLTAGE  
310VAC  
630VDC**

Cap Value μF	Dimensions (mm)					P1	I <sub>rms</sub> Max 70°C A(10KHz)	Peak Current A	Surge Current A	ESR <sup>Typical</sup> 10KHz mΩ	ESL nH	Thermal Res °C/W	dv/dt V/us	Lead Wire mm	PART NUMBER
	W	H	T	P	P1										
1,0	32	20	11	27,5	/		4,5	90	270	27,3	14	35,7	90	0,8	K2F6301D02PK11BHL
1,5	32	22	13	27,5	/		5,7	135	405	18,2	15	33,3	90	0,8	K2F6301D52PK11BHL
1,5	32	25	13	27,5	/		5,9	135	405	18,2	16	31,3	90	0,8	K2F6301D52PK12BHL
2,2	32	25	15	27,5	/		7,5	198	594	12,4	17	28,6	90	0,8	K2F6302D22PK11BHL
2,2	32	28	14	27,5	/		7,6	198	594	12,4	18	27,8	90	0,8	K2F6302D22PK12BHL
3,3	32	28	18	27,5	/		10,1	297	891	8,3	19	23,8	90	0,8	K2F6303D32PK11BHL
4,0	32	33	18	27,5	/		11,6	360	1080	6,8	21	21,7	90	0,8	K2F6304D02PK11BHL
4,7	32	37	22	27,5	/		12,8	423	1269	7,1	23	17,2	90	0,8	K2F6304D72PK11BHL
5,6	32	37	22	27,5	/		12,8	504	1512	7,1	23	17,2	90	0,8	K2F6305D62PK11BHL

## K2F TYPE STANDARD RATINGS

6,8	42	40	20	37,5	10,2	12,8	408	1224	8,8	14	13,9	60	1,2	K2F6306D84PK11BHL
6,8	42	37	22	37,5	10,2	12,6	408	1224	8,8	14	14,3	60	1,2	K2F6306D84PK12BHL
8,0	42	37	22	37,5	10,2	13,7	480	1440	7,4	14	14,3	60	1,2	K2F6308D04PK11BHL
10,0	42	44	24	37,5	10,2	16,6	600	1800	6,0	15	12,2	60	1,2	K2F6301004PK11BHL
10,0	42	37	28	37,5	10,2	16,6	600	1800	6,0	15	12,2	60	1,2	K2F6301004PK12BHL
15,0	42	45	30	37,5	20,3	22,4	900	2700	4,0	16	10,0	60	1,2	K2F6301504PK11BHL
15,0	42	50	35	37,5	20,3	24,6	900	2700	4,0	17	8,3	60	1,2	K2F6301504PK12BHL
18,0	42	50	35	37,5	20,3	26,9	1080	3240	3,3	17	8,3	60	1,2	K2F6301804PK11BHL
20,0	58	45	30	52,5	20,3	20,9	600	1800	5,7	15	8,0	30	1,2	K2F6302004PK11BHL
22,0	58	50	35	52,5	20,3	22,6	660	1980	5,7	17	6,9	30	1,2	K2F6302204PK11BHL
25,0	58	50	35	52,5	20,3	24,0	750	2250	5,0	17	6,9	30	1,2	K2F6302504PK11BHL
33,0	58	55	45	52,5	20,3	31,2	990	2970	3,8	19	5,4	30	1,2	K2F6303304PK11BHL
33,0	58	58	38	52,5	20,3	29,9	990	2970	3,8	20	5,9	30	1,2	K2F6303304PK12BHL
38,0	58	65	45	52,5	20,3	31,4	1140	3420	4,0	20	5,1	30	1,2	K2F6303804PK13BHL
42,0	58	65	45	52,5	20,3	33,0	1260	3780	3,6	20	5,1	30	1,2	K2F6304204PK11BHL
46,0	58	65	45	52,5	20,3	34,5	1380	4140	3,3	20	5,1	30	1,2	K2F6304604PK11BHL

**RATED  
VOLTAGE  
310VAC  
630VDC**

Cap Value µF	Dimensions (mm)					Irms Max 70°C A(10Khz)	Peak Current A	Surge Current A	ESR <sup>Typical</sup> 10KHz mΩ	ESL nH	Thermal Res °C/W	dv/dt V/us	Lead Wire mm	PART NUMBER
	W	H	T	P	P1									
1,0	32	22	13	27,5	/	6,3	100	300	15,1	15	33,3	100	0,8	K2F7001D02PK11BHL
1,0	32	25	13	27,5	/	6,5	100	300	15,1	16	31,3	100	0,8	K2F7001D02PK12BHL
1,5	32	28	14	27,5	/	8,4	150	450	10,1	18	27,8	100	0,8	K2F7001D52PK11BHL
1,5	32	25	15	27,5	/	8,3	150	450	10,1	17	28,6	100	0,8	K2F7001D52PK12BHL
2,2	32	28	18	27,5	/	9,6	220	660	9,2	19	23,8	100	0,8	K2F7002D22PK11BHL
3,3	32	37	22	27,5	/	12,8	330	990	7,1	23	17,2	100	0,8	K2F7003D32PK11BHL
3,7	32	37	22	27,5	/	12,8	370	1110	7,1	23	17,2	100	0,8	K2F7003D72PK11BHL
4,7	42	40	20	37,5	10,2	14,0	329	987	7,4	14	13,9	70	1,2	K2F7004D74PK11BHL
4,7	42	37	22	37,5	10,2	13,8	329	987	7,4	14	14,3	70	1,2	K2F7004D74PK12BHL
6,8	42	44	24	37,5	10,2	17,9	476	1428	5,1	15	12,2	70	1,2	K2F7006D84PK11BHL
6,8	42	37	28	37,5	10,2	17,9	476	1428	5,1	15	12,2	70	1,2	K2F7006D84PK12BHL
10,0	42	45	30	37,5	20,3	24,0	700	2100	3,5	16	10,0	70	1,2	K2F7001004PK11BHL
10,0	42	50	35	37,5	20,3	25,4	700	2100	3,7	17	8,3	70	1,2	K2F7001004PK12BHL
13,0	42	50	35	37,5	20,3	27,8	910	2730	3,1	17	8,3	70	1,2	K2F7001304PK11BHL
15,0	58	45	30	52,5	20,3	22,8	600	1800	4,8	15	8,0	40	1,2	K2F7001504PK11BHL
15,0	58	50	35	52,5	20,3	25,6	600	1800	4,4	17	6,9	40	1,2	K2F7001504PK12BHL
18,0	58	50	35	52,5	20,3	26,9	720	2160	4,0	17	6,9	40	1,2	K2F7001804PK11BHL
20,0	58	58	38	52,5	20,3	30,7	800	2400	3,6	20	5,9	40	1,2	K2F7002004PK11BHL
22,0	58	58	38	52,5	20,3	32,3	880	2640	3,3	20	5,9	40	1,2	K2F7002204PK11BHL
22,0	58	55	45	52,5	20,3	33,6	880	2640	3,3	19	5,4	40	1,2	K2F7002204PK12BHL
27,0	58	55	45	52,5	20,3	34,5	1080	3240	3,1	19	5,4	40	1,2	K2F7002704PK11BHL
32,0	58	65	45	52,5	20,3	38,6	1280	3840	2,6	20	5,1	40	1,2	K2F7003204PK11BHL

**RATED  
VOLTAGE  
350VAC  
700VDC**

## K2F TYPE STANDARD RATINGS

**RATED  
VOLTAGE  
400VAC  
800VDC**

Cap Value μF	Dimensions (mm)					I <sub>rms</sub> Max 70°C A(10Khz)	Peak Current A	Surge Current A	ESR <sup>Typical</sup> 10KHz mΩ	ESL nH	Thermal Res °C/W	dv/dt V/us	Lead Wire mm	PART NUMBER
	W	H	T	P	P1									
1,0	32	24	14	27,5	/	6,6	120	360	15,4	17	29,4	120	0,8	K2F8001D02PK11BHL
1,0	32	28	14	27,5	/	6,8	120	360	15,4	18	27,8	120	0,8	K2F8001D02PK12BHL
1,5	32	28	18	27,5	/	8,5	180	540	11,7	19	23,8	120	0,8	K2F8001D52PK11BHL
2,2	32	33	18	27,5	/	10,7	264	792	8,0	21	21,7	120	0,8	K2F8002D22PK11BHL
2,5	32	37	22	27,5	/	12,8	300	900	7,1	23	17,2	120	0,8	K2F8002D52PK11BHL
3,0	32	37	22	27,5	/	12,8	360	1080	7,1	23	17,2	120	0,8	K2F8003D02PK11BHL
3,3	42	40	20	37,5	10,2	12,5	264	792	9,2	14	13,9	80	1,2	K2F8003D34PK11BHL
4,0	42	40	20	37,5	10,2	13,8	320	960	7,6	14	13,9	80	1,2	K2F8004D04PK11BHL
4,7	42	37	28	37,5	10,2	16,0	376	1128	6,4	15	12,2	80	1,2	K2F8004D74PK11BHL
5,6	42	37	28	37,5	10,2	17,4	448	1344	5,4	15	12,2	80	1,2	K2F8005D64PK11BHL
6,8	42	45	30	37,5	20,3	21,2	544	1632	4,5	16	10,0	80	1,2	K2F8006D84PK11BHL
9,0	42	50	35	37,5	20,3	24,7	720	2160	3,9	17	8,3	80	1,2	K2F8009D04PK11BHL
10,0	42	50	35	37,5	20,3	26,1	800	2400	3,5	17	8,3	80	1,2	K2F8001004PK11BHL
10,0	58	45	30	52,5	20,3	19,9	500	1500	6,3	15	8,0	50	1,2	K2F8001004PK12BHL
14,0	58	50	35	52,5	20,3	25,4	700	2100	4,5	17	6,9	50	1,2	K2F8001404PK11BHL
15,0	58	55	45	52,5	20,3	29,7	750	2250	4,2	19	5,4	50	1,2	K2F8001504PK11BHL
18,0	58	58	38	52,5	20,3	31,2	900	2700	3,5	20	5,9	50	1,2	K2F8001804PK11BHL
20,0	58	55	45	52,5	20,3	34,3	1000	3000	3,1	19	5,4	50	1,2	K2F8002004PK11BHL
23,0	58	65	45	52,5	20,3	37,8	1150	3450	2,7	20	5,1	50	1,2	K2F8002304PK11BHL
25,0	58	65	45	52,5	20,3	39,4	1250	3750	2,5	20	5,1	50	1,2	K2F8002504PK11BHL

**RATED  
VOLTAGE  
500VAC  
1000VDC**

Cap Value μF	Dimensions (mm)					I <sub>rms</sub> Max 70°C A(10Khz)	Peak Current A	Surge Current A	ESR <sup>Typical</sup> 10KHz mΩ	ESL nH	Thermal Res °C/W	dv/dt V/us	Lead Wire mm	PART NUMBER
	W	H	T	P	P1									
1,0	32	28	18	27,5	/	7,3	140	420	15,9	19	23,8	140	0,8	K2F1011D02PK11BHL
1,5	32	37	22	27,5	/	9,9	210	630	11,8	23	17,2	140	0,8	K2F1011D52PK11BHL
1,8	32	37	22	27,5	/	10,9	252	756	9,8	23	17,2	140	0,8	K2F1011D82PK11BHL
2,2	42	40	20	37,5	10,2	11,4	198	594	11,0	14	13,9	90	1,2	K2F1012D24PK11BHL
2,2	42	37	22	37,5	10,2	11,3	198	594	11,0	14	14,3	90	1,2	K2F1012D24PK12BHL
3,0	42	37	28	37,5	10,2	14,2	270	810	8,1	15	12,2	90	1,2	K2F1013D04PK11BHL
4,0	42	43	28	37,5	10,2	14,5	360	1080	8,1	16	11,8	90	1,2	K2F1014D04PK11BHL
4,4	42	45	30	37,5	20,3	16,5	396	1188	7,3	16	10,0	90	1,2	K2F1014D44PK11BHL
4,7	42	45	30	37,5	20,3	17,0	423	1269	6,9	16	10,0	90	1,2	K2F1014D74PK11BHL
5,5	42	50	35	37,5	20,3	20,2	495	1485	5,9	17	8,3	90	1,2	K2F1015D54PK11BHL
6,0	42	50	35	37,5	20,3	21,1	540	1620	5,4	17	8,3	90	1,2	K2F1016D04PK11BHL
6,6	58	45	30	52,5	20,3	18,1	396	1188	7,6	15	8,0	60	1,2	K2F1016D64PK11BHL
8,0	58	50	35	52,5	20,3	21,5	480	1440	6,3	17	6,9	60	1,2	K2F1018D04PK11BHL
9,0	58	50	35	52,5	20,3	22,8	540	1620	5,6	17	6,9	60	1,2	K2F1019D04PK11BHL
12,0	58	58	38	52,5	20,3	26,4	720	2160	4,9	20	5,9	60	1,2	K2F1011204PK11BHL
12,0	58	55	45	52,5	20,3	27,5	720	2160	4,9	19	5,4	60	1,2	K2F1011204PK12BHL
15,0	58	65	45	52,5	20,3	31,6	900	2700	3,9	20	5,1	60	1,2	K2F1011504PK11BHL

## K2F TYPE STANDARD RATINGS

Cap Value μF	Dimensions (mm)					P1	I <sub>rms</sub> Max 70°C A(10KHz)	Peak Current A	Surge Current A	ESR <sup>Typical</sup> 10KHz mΩ	ESL nH	Thermal Res °C/W	dv/dt V/us	Lead Wire mm	PART NUMBER
	W	H	T	P	P1										
1,0	32	37	22	27,5	/		8,1	160	480	17,9	23	17,2	160	0,8	K2F1211D02PK11BHL
1,2	32	37	22	27,5	/		8,8	192	576	14,9	23	17,2	160	0,8	K2F1211D22PK11BHL
1,8	42	40	20	37,5	10,2	10,2	180	540	13,9	14	13,9	100	1,2	K2F1211D84PK11BHL	
1,8	42	37	22	37,5	10,2	10,0	180	540	13,9	14	14,3	100	1,2	K2F1211D84PK12BHL	
2,2	42	37	28	37,5	10,2	12,0	220	660	11,4	15	12,2	100	1,2	K2F1212D24PK11BHL	
2,2	42	44	24	37,5	10,2	12,0	220	660	11,4	15	12,2	100	1,2	K2F1212D24PK12BHL	
3,3	42	45	30	37,5	20,3	16,2	330	990	7,6	16	10,0	100	1,2	K2F1213D34PK11BHL	
4,7	42	50	35	37,5	20,3	21,2	470	1410	5,3	17	8,3	100	1,2	K2F1214D74PK11BHL	
4,5	58	45	30	52,5	20,3	15,6	315	945	10,3	15	8,0	70	1,2	K2F1214D54PK11BHL	
5,0	58	45	30	52,5	20,3	16,4	350	1050	9,2	15	8,0	70	1,2	K2F1215D04PK11BHL	
7,0	58	50	35	52,5	20,3	18,7	490	1470	8,3	17	6,9	70	1,2	K2F1217D04PK11BHL	
8,0	58	58	38	52,5	20,3	21,7	560	1680	7,2	20	5,9	70	1,2	K2F1218D04PK11BHL	
12,0	58	65	45	52,5	20,3	27,7	840	2520	5,1	20	5,1	70	1,2	K2F1211204PK11BHL	

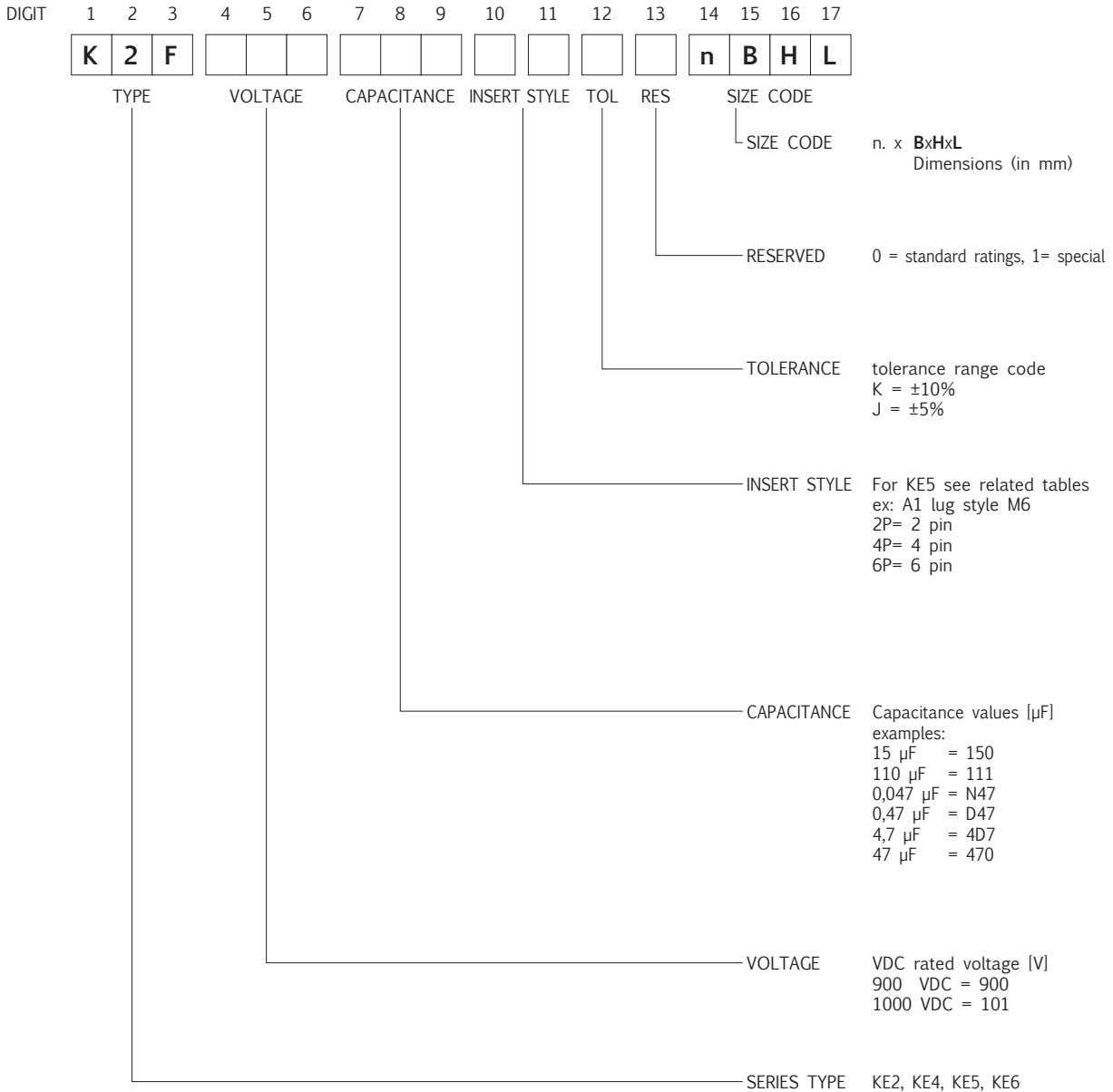
**RATED  
VOLTAGE  
600VAC  
1200VDC**

Cap Value μF	Dimensions (mm)					P1	I <sub>rms</sub> Max 70°C A(10KHz)	Peak Current A	Surge Current A	ESR <sup>Typical</sup> 10KHz mΩ	ESL nH	Thermal Res °C/W	dv/dt V/us	Lead Wire mm	PART NUMBER
	W	H	T	P	P1										
1,0	42	37	22	37,5	10,2	9,3	120	360	16,0	14	14,3	120	1,2	K2F1511D04PK11BHL	
1,5	42	44	24	37,5	10,2	12,4	180	540	10,7	15	12,2	120	1,2	K2F1511D54PK11BHL	
1,8	42	43	28	37,5	10,2	13,8	216	648	8,9	16	11,8	120	1,2	K2F1511D84PK11BHL	
2,0	42	45	30	37,5	20,3	15,8	240	720	8,0	16	10,0	120	1,2	K2F1512D04PK11BHL	
2,7	42	50	35	37,5	20,3	20,1	324	972	5,9	17	8,3	120	1,2	K2F1512D74PK11BHL	
3,0	58	45	30	52,5	20,3	14,2	240	720	12,3	15	8,0	80	1,2	K2F1513D04PK11BHL	
4,0	58	50	35	52,5	20,3	15,8	320	960	11,6	17	6,9	80	1,2	K2F1514D04PK11BHL	
5,0	58	58	38	52,5	20,3	19,2	400	1200	9,2	20	5,9	80	1,2	K2F1515D04PK11BHL	
6,0	58	55	45	52,5	20,3	21,9	480	1440	7,7	20	5,4	80	1,2	K2F1516D04PK11BHL	
7,0	58	65	45	52,5	20,3	24,3	560	1680	6,6	20	5,1	80	1,2	K2F1517D04PK11BHL	

**RATED  
VOLTAGE  
760VAC  
1500VDC**

## PART NUMBER SYSTEM FOR METALLIZED POLYPROPYLENE FILM CAPACITORS

New PART-NUMBER CODE in use since Sep 2010. Total length is 17 digits.  
Please see examples below and have a reference code from the standard ratings capacitors pages.



## K7F TYPE -40 +105°C

### Overview

The K7F capacitor is constructed of segmented metallized polypropylene film in customized PPS case, specially treated to have a very high dielectric strength in operating conditions up to 105°C.

<b>Applications</b>	Specially design for DC filtering and DC-Link circuits for EV/HEV.
<b>Reference standard</b>	IEC 61071, AECQ-200D
<b>Construction</b>	Segmented Metallized Polypropylene Film
<b>Coating</b>	Custom PPS Case
<b>Terminals</b>	Tinned coated Copper
<b>Operating temperature range</b>	-40°C to +105°C (85°C ~105°C, decreasing factor 1.25% per °C for Rated Voltage)
<b>Capacitance</b>	300µF to 1200µF
<b>Rated Voltage</b>	450 to 1200 VDC
<b>Tolerance</b>	±5% or ±10% at +25°C
<b>Dissipation Factor</b>	0.0010 at 1KHz
<b>Life Expectancy</b>	Over 100.000 h
<b>Dielectric strength</b>	1.5 Un / 10s (25 ± 5°C)
<b>Test Voltage terminal to case</b>	3000VAC, 50/60Hz 60s <sup>2</sup> at +25 ± 5°C <sup>2</sup>
<b>Insulation Resistance</b>	IR xC≥10,000 s at 500vdc 1minute at +25°C

Fig.2a

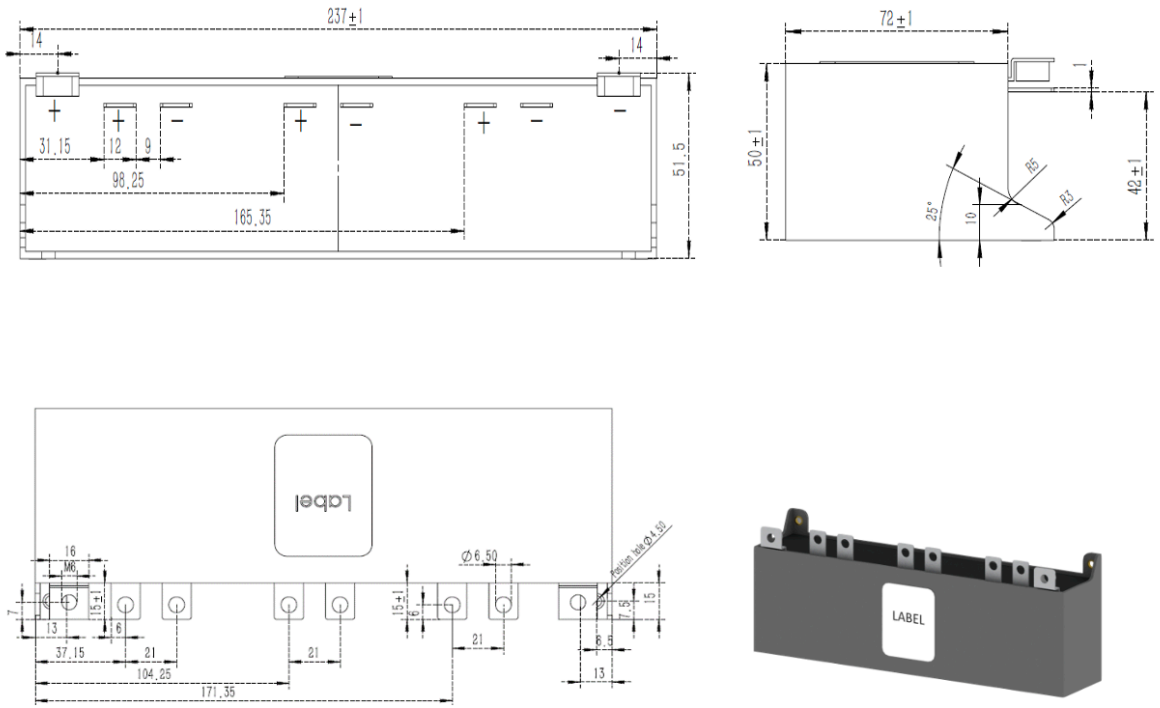
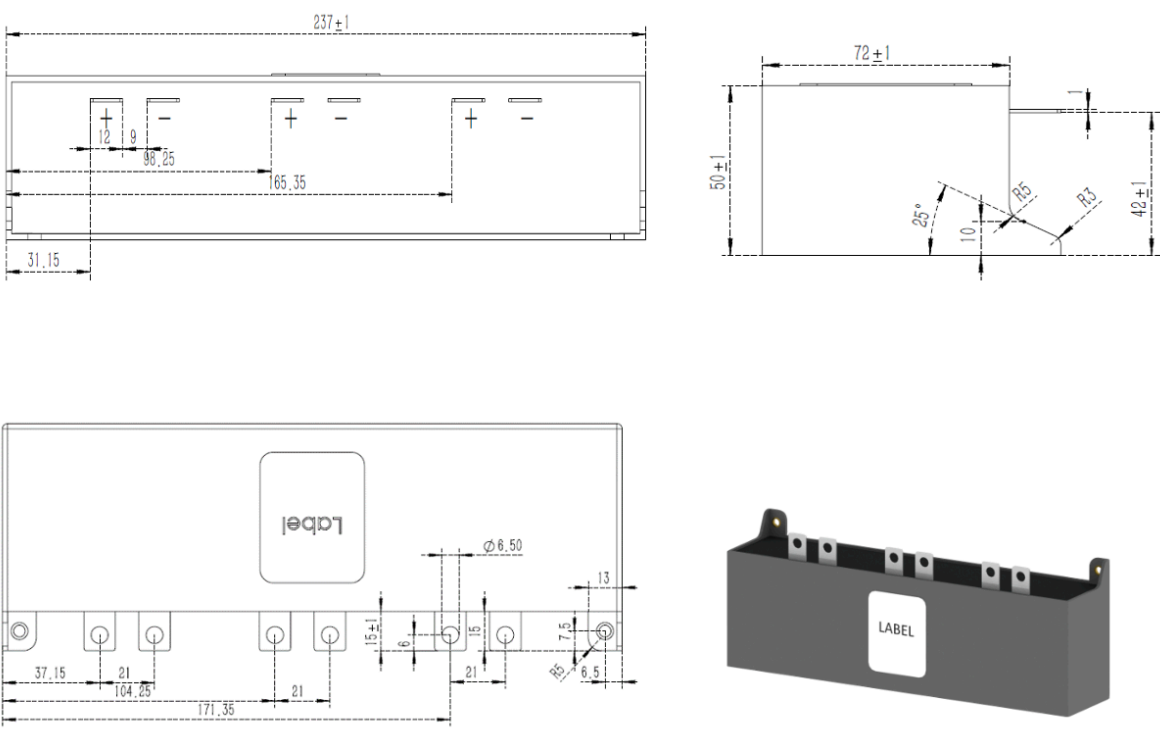


Fig.2b

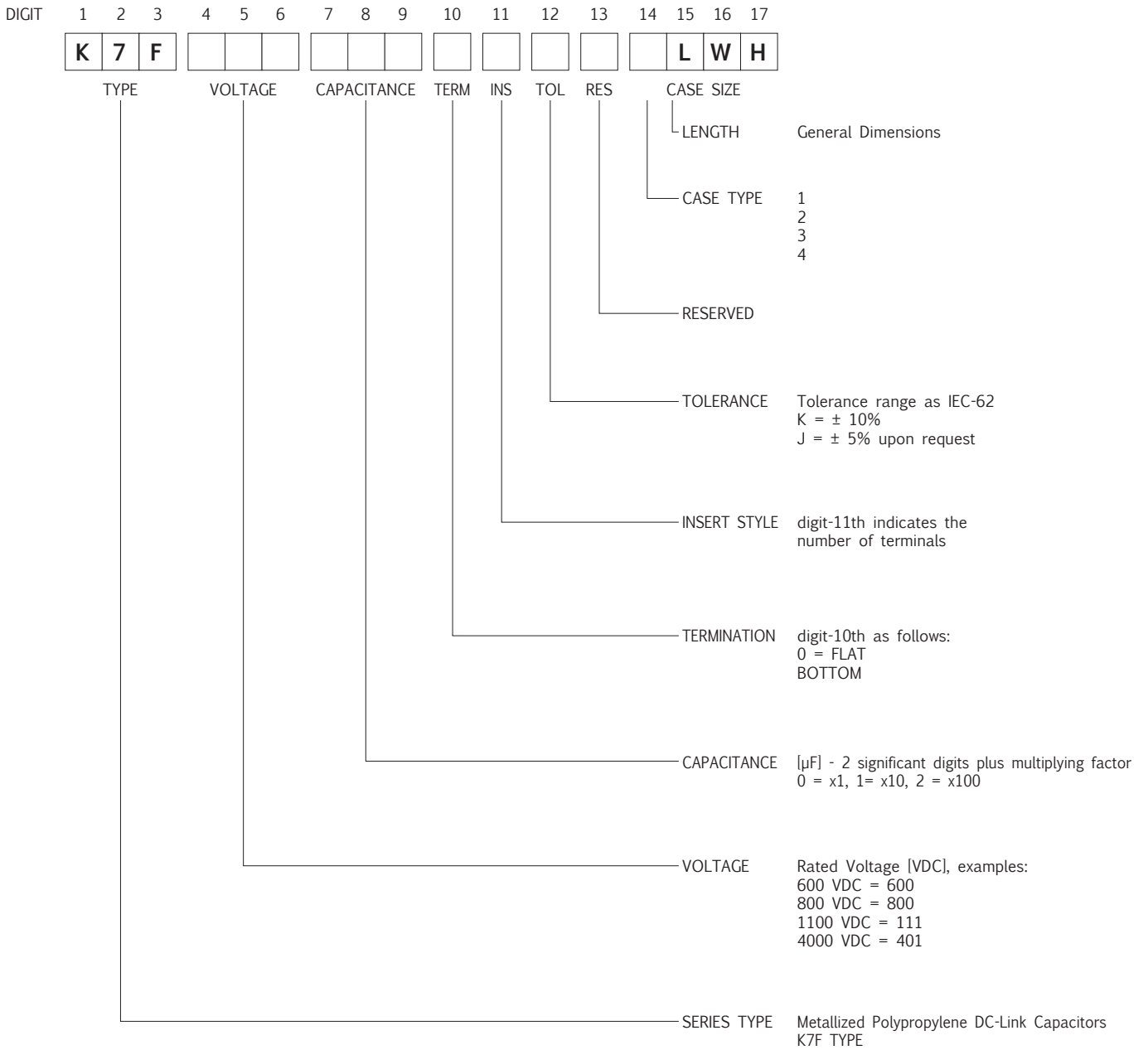


## K7F TYPE STANDARD RATINGS

Cap Value μF	I <sub>max</sub> A	L <sub>self</sub> nH	R <sub>s</sub> mΩ	I <sub>pk</sub> kA	I <sub>s</sub> kA	DF max 100Hz	Dimension LxHxW mm	Weight Kg	PART NUMBER
500	120	15	1,0	1,5	4,5	10·10 <sup>-4</sup>	237*72*50	1,2	K7F45050108K11LWH
500	170	15	0,7	1,8	5,5	10·10 <sup>-4</sup>	237*72*50	1,2	K7F45050106K12LWH
700	170	15	0,7	2,8	8,4	10·10 <sup>-4</sup>	237*72*50	1,2	K7F45070108K11LWH
700	170	15	0,7	2,8	8,4	10·10 <sup>-4</sup>	237*72*50	1,2	K7F45070106K12LWH
900	170	15	0,7	3,3	9,9	10·10 <sup>-4</sup>	237*72*50	1,2	K7F45090108K11LWH
900	170	15	0,7	3,3	9,9	10·10 <sup>-4</sup>	237*72*50	1,2	K7F45090106K12LWH
500	170	15	0,7	1,8	5,5	10·10 <sup>-4</sup>	237*72*50	1,2	K7F45050108K13LWH
500	170	15	0,7	1,8	5,5	10·10 <sup>-4</sup>	237*72*50	1,2	K7F45050106K14LWH
700	190	15	0,5	2,5	7,5	10·10 <sup>-4</sup>	237*72*50	1,2	K7F45070108K13LWH
700	170	15	0,7	2,8	8,4	10·10 <sup>-4</sup>	237*72*50	1,2	K7F45070106K14LWH
900	190	15	0,5	3,0	9,0	10·10 <sup>-4</sup>	237*72*50	1,2	K7F45090108K13LWH
900	170	15	0,7	3,3	9,9	10·10 <sup>-4</sup>	237*72*50	1,2	K7F45090106K14LWH

**RATED  
VOLTAGE  
450VAC**

# PART NUMBER SYSTEM FOR METALLIZED POLYPROPYLENE FILM CAPACITORS







## Film Capacitors

**Kendeil S.r.l.**  
Via Irlanda, 1  
I-21013 GALLARATE (VA)  
Tel. +39-0331 786966  
Fax +39-0331 786967  
kendeil@kendeil.com  
www.kendeil.com

ALL PRODUCTS READY

RoHS Compliant



AGENT OR DISTRIBUTOR